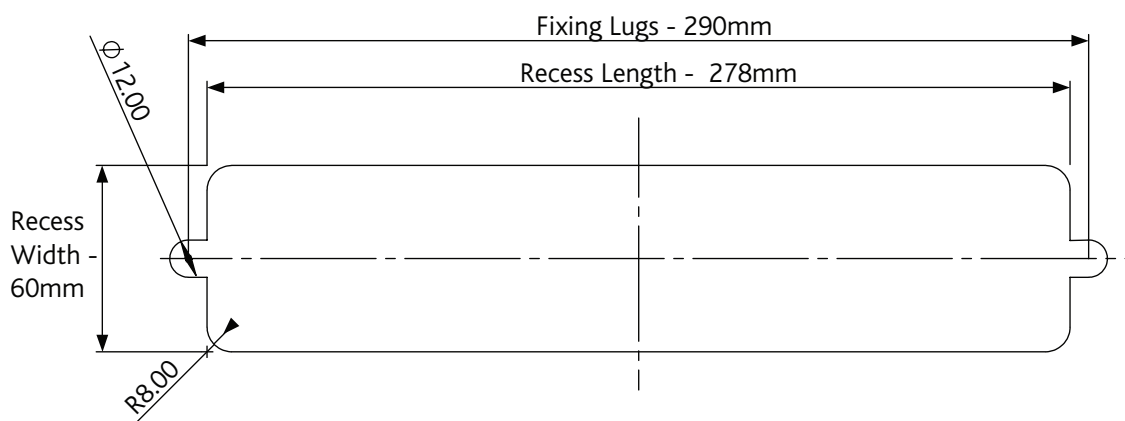


DLPAS Architectural Shield TS008 Letterplate Fitting Instructions

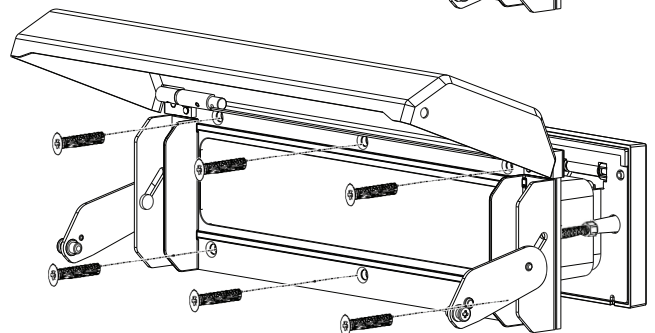
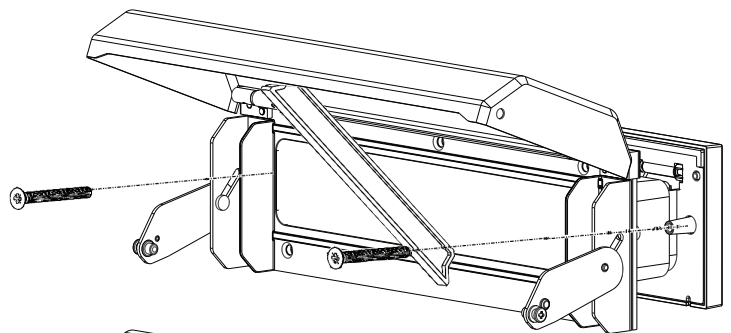
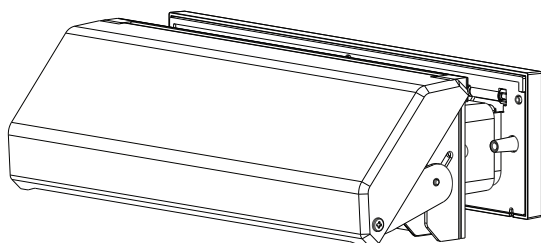
Door Preparation - Routing Detail

- 1 The complete Architectural Shield TS008 letterplate is supplied in two sections, the internal half (for inside the property) and external half (for outside the property). The internal section has the letterplate cowl pre-fitted. Locate both sections and insert the correct section facing the correct direction into the pre-routed hole in the door (please see routing details for dimensions).



Letterplate Assembly and Installation

- 2 Open the internal flap and using the jig (supplied), hold the internal flap open. Please, insert the two M5 screws (supplied) to fix both letterplate sections together securely.
- 3 From inside, lift the flap on the internal section of the letterplate and using the six wood screws (supplied), fix the internal frame to the door.
- 4 From inside, lift the flap and using the two M4 screws provided and secure the restrictor arms in place.





DLPAS

Architectural Shield TS008 Letterplate

Fitting Instructions

Application

The Architectural Shield is suitable for composite and timber doors only (44mm - 70mm thickness). Where a letterplate assembly or slide through box is fitted into a fire rated door or panel, it is essential that its fire rating is the same or higher than the surround into which it is to be fitted. When considering the scope of a letterplate with fire performance for inclusion in a fire doorset, the scope shall be limited to what is proven by test, including the generic fire resisting door type/thickness used, the height/direction tested, and shall remain specific to the test standard adopted. TS 008 compliant letterplates provide resistance against various methods of theft. For optimum protection, the letterplate should be installed in line with the test methods described in TS 008. A reference label can be found on the letterplate sleeve of both the internal and external sections.

Performance

Independently tested to meet the requirements of TS008: 2022 when both internal and external letterplate sections are used together. Designed to meet the requirements of PAS 24 in a compliant door set.

Maintenance

Inspect and review operation of the letterplate to ensure all items are working correctly, ensure all fixings are secure. For continued protection of the quality finish and appearance, we advise routine cleaning of all our external hardware. We recommend wiping it with a clean cloth soaked in warm water and mild detergent every month. Please refrain from using heavy-duty cleaners, containing Chlorine or Potassium. Moving parts should also be lightly lubricated using a light non-acidic mineral oil (e.g., "3 in 1") at least twice per year. The product may need to be adjusted and fixings tightened to ensure a satisfactory operation. This procedure is particularly essential if products are used within a 25-mile radius of coastal areas or close proximity to building sites or large industrial areas, where more frequent cleaning may be required to prevent the accumulation of corrosive contaminants.

Classification

The Fab&Fix Architectural Shield letterplate carries the British Standard Kitemark TS008:2022.

Classification

The Architectural Shield has been certified to TS008:2022 and carries the following classification .

Classification:

Product type	A
Aperture type	1
Security level	2
Option to lock	N
Corrosion	4
Water	N
Fire	0
Arson	0



TS008: 2022
KM 660920
Both internal and external letterplate sections must be used together.