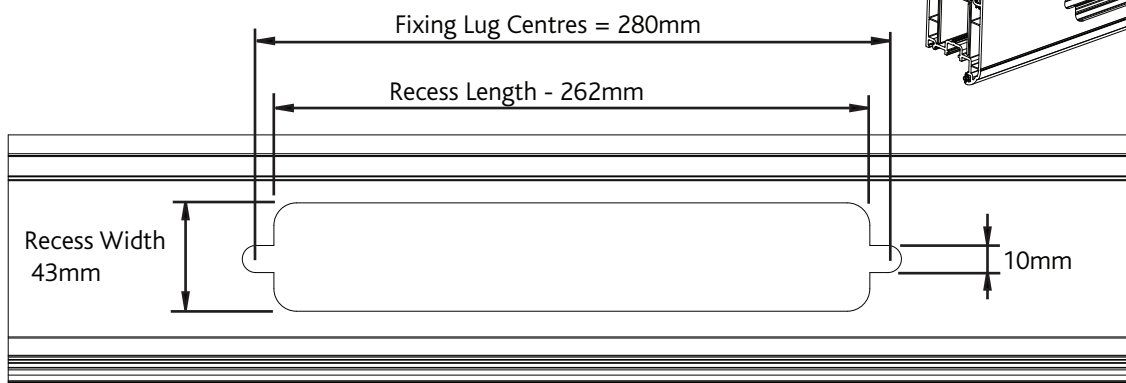


DLPINSSMI 304 Stainless Steel Letterplate Fitting Instructions

Door Preparation - Routing Detail

- 1 Prior to installation of the letterplate, ensure that the door has been routed correctly according to the diagram below:

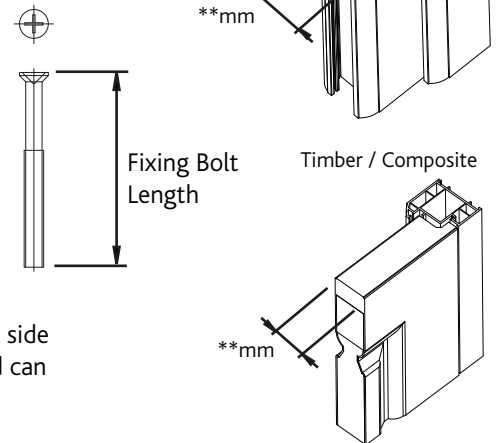


Letterplate Assembly and Installation

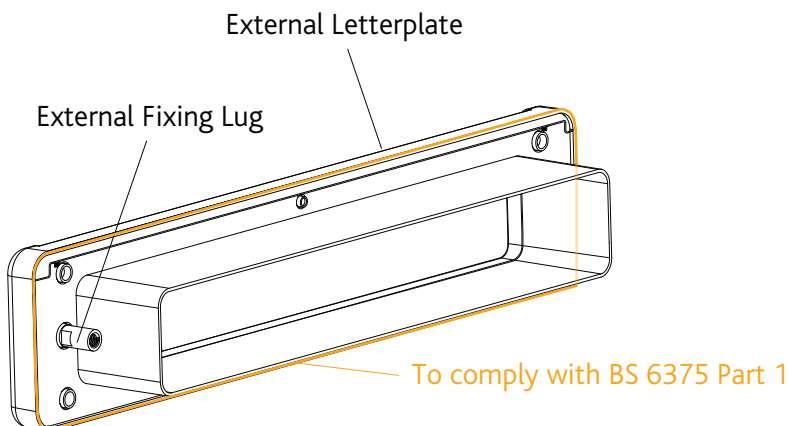
- 2 The packaging contains two sizes of fixing bolts. The door thickness should be measured to determine the correct size of bolt (see diagram below of the most common door sizes).

Note: Profile thickness's vary greatly and it may be necessary to trim the bolt length to suit.

DOOR THICKNESS	BOLT LENGTH	QTY
66.0mm-74.0mm PVCu	85mm	2
55.0mm-64.0mm PVCu	60mm	2
42.0mm-48.0mm Timber/Composite	60mm	2



- 3 Identify which is the external and internal side of the letterplate. The external side of the letterplate is identified by attached fixing lugs as per images below and can also be identified by finger recess underneath the letterplate flap.



4 IMPORTANT

In order to comply with **BS 6375 Part 1** (details below), you will need to add a bead of silicone to the external part of the letterplate around the frame, once installed in a door.

Test Specification:

BS 6375-1:2015+A1:2016 Performance of Windows and Doors - Part 1: Classification for weather tightness and guidance on selection and specification.