

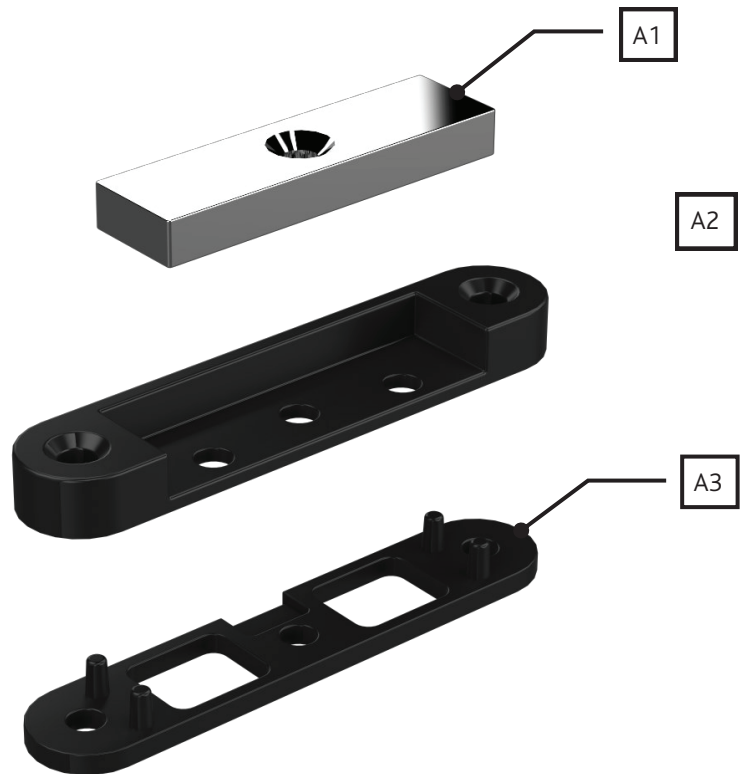


**Ecoseal Fitting Details**  
**S3-ES-1**



# Component Parts List.

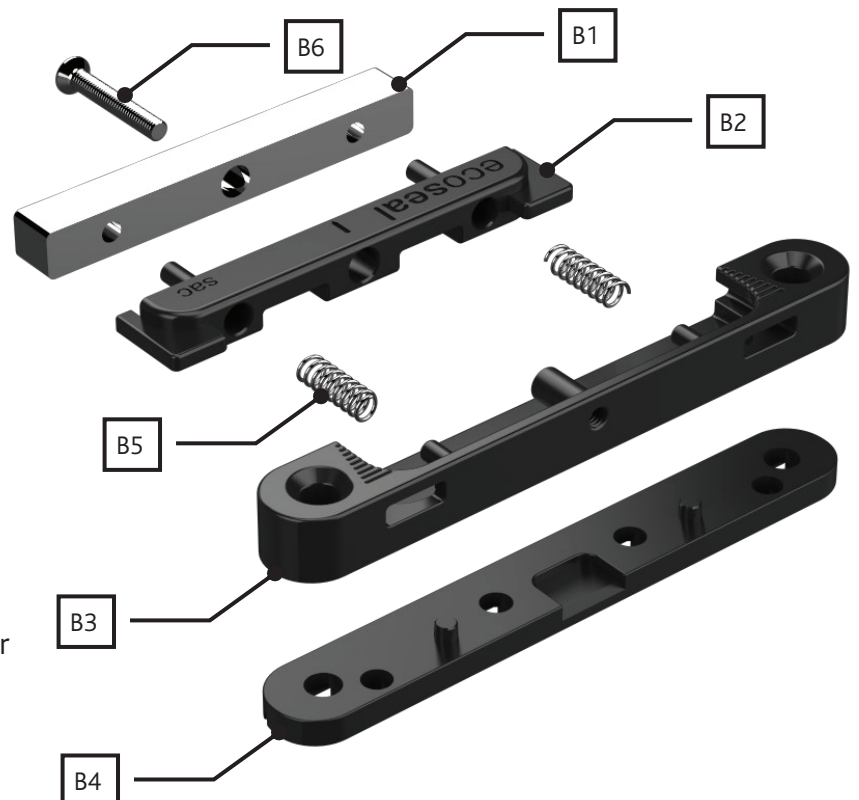
## A - Ecoséal (Sash side)



### Components:

- A1 - Magnet
- A2 - Magnet Holder
- A3 - Magnet Holder Packer

## B - Ecoséal (Frame side)



### Components:

- B1 - 3x Steel Plates
- B2 - Adjustment Block Slider
- B3 - Adjustment Block Holder
- B4 - Adjustment Block Holder Packer
- B5 - 2x Compression Springs
- B6 - Adjustment Screw

**Note: Fitting screws not shown.**

# Profiles

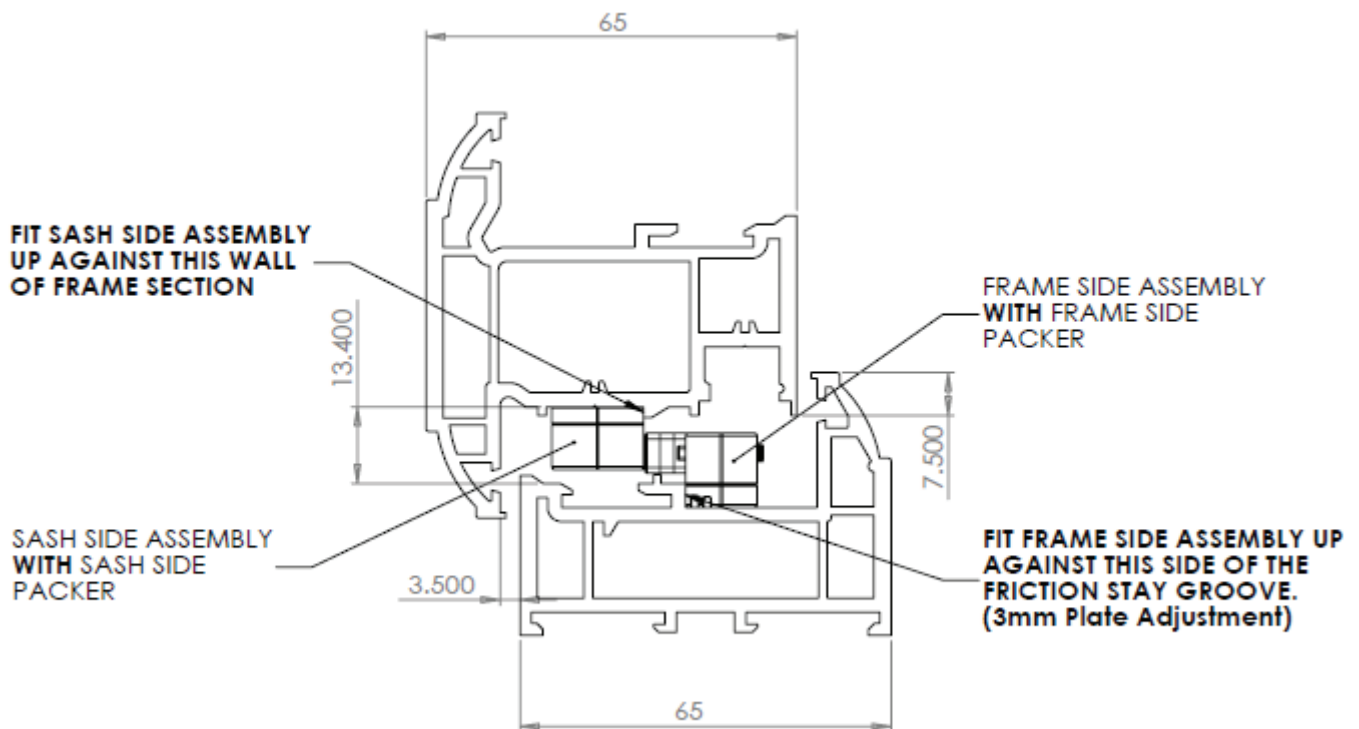


Profile	H. Height	Sash Packer On	Frame Packer On
<b>1. Duraflex</b>			
Diamond Suite 70	17	Y	Y
<b>2. Deceuninck</b>			
Series 2500 C+O (70mm)	17	Y	Y
Series 2800 (70mm - old)	17	Y	Y
Series 3000 (70mm - Zendow)	17	Y	Y
<b>3. Eurocell</b>			
Logic System 70	14	N	Y
Contract 60 - (1/2 euro)	15.5	N	Y
<b>4. Komerling/ Profine</b>			
Gold (70)	17	Y	Y
Profine O70 & C70	17.5	Y	Y
<b>5. LB Plastics</b>			
6000 - (60mm - new build)	13.5	N	Y
7000 - (70mm - Replacement)	14	N**	Y**
<b>6. Profile 22</b>			
System 70 - (Chamfered) (TF)	14.5	Y	N
New 70mm (Ovlo) (TF)	14.5	Y	N
<b>7. Rehau</b>			
706 - (70mm)	17	Y	Y
<b>8. Spectus</b>			
Elite 63 & 70mm	17	N	Y
<b>9. Synseal (Shield)</b>			
Synergy 70	14.5	N	Y
Shield - 70 (1/2 euro)	14.5	N	Y
<b>10. Selecta</b>			
8000FT - 70mm (3/4 euro)	13.5	Y**	N**
Advantage 70	17	Y**	Y**
<b>11. Veka</b>			
Matrix - 58 (Chamfered)	14	N	N
Matrix - 70 (NEW - olvo)	13	N	N
Matrix - 70 (Old - Chamfered)	14	Y	N
<b>12. WHS - Halo</b>			
New Eclypse / Esthetique 70mm	17	Y	Y
<b>13. Liniar</b>			
Liniar Profile	17	N	Y
<b>14. Swiftframe</b>			
Swiftframe (Ext beaded)	16	N	Y

\*\* Magnet Holder assembly to be fitted on frame and adjustment block to be fitted on Sash



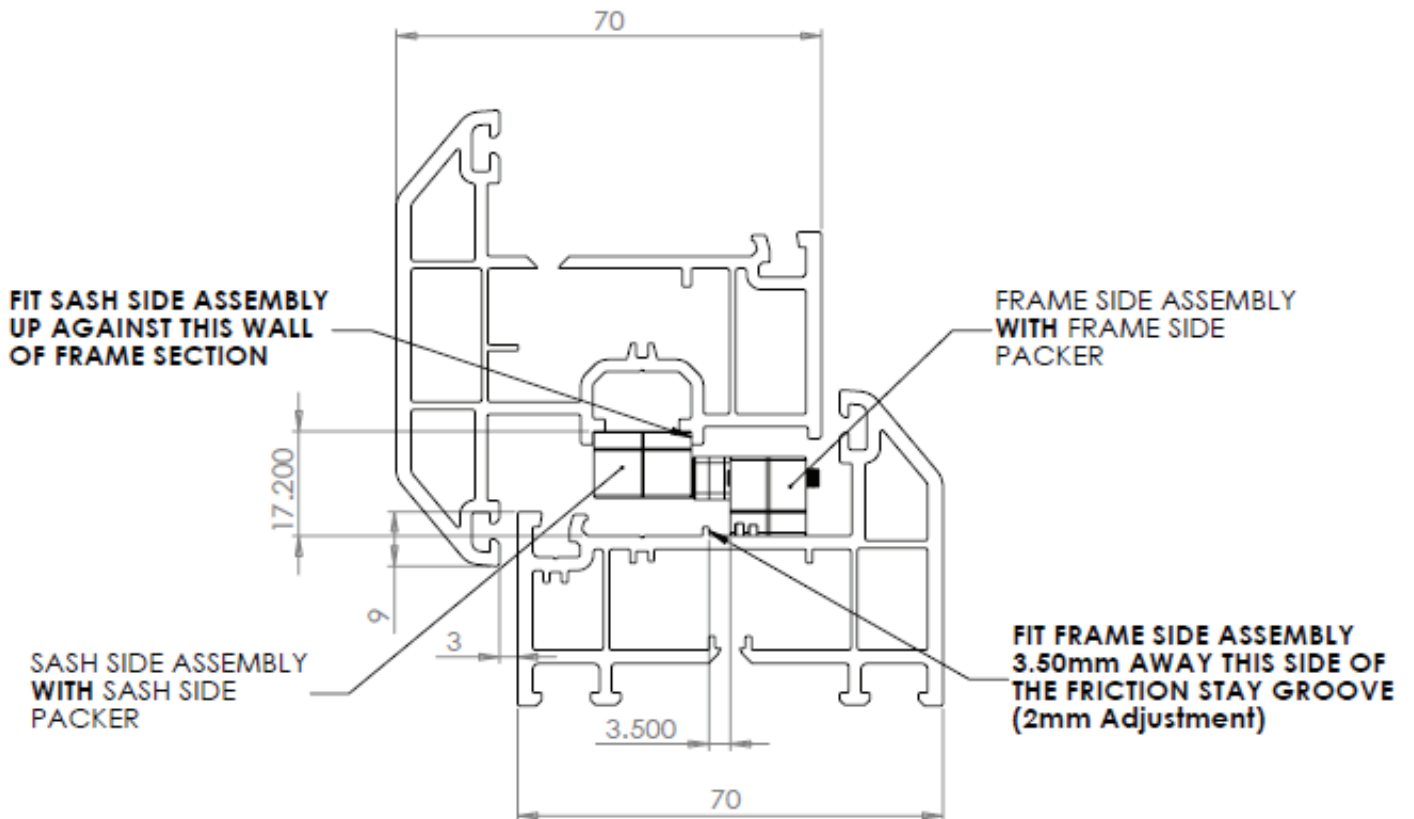
## Duraflex Fitting Detail



Profile:	Diplomat (66mm Section)
Stack Height	13.40mm
Gasket Compression	3.50mm
Sash to Frame Cover:	7.70mm
Magnet Holder Config:	Fit on Sash side with packer.
Adjustment Block Config:	Fit on Frame without packer, adjusted to approx. 3.00mm.



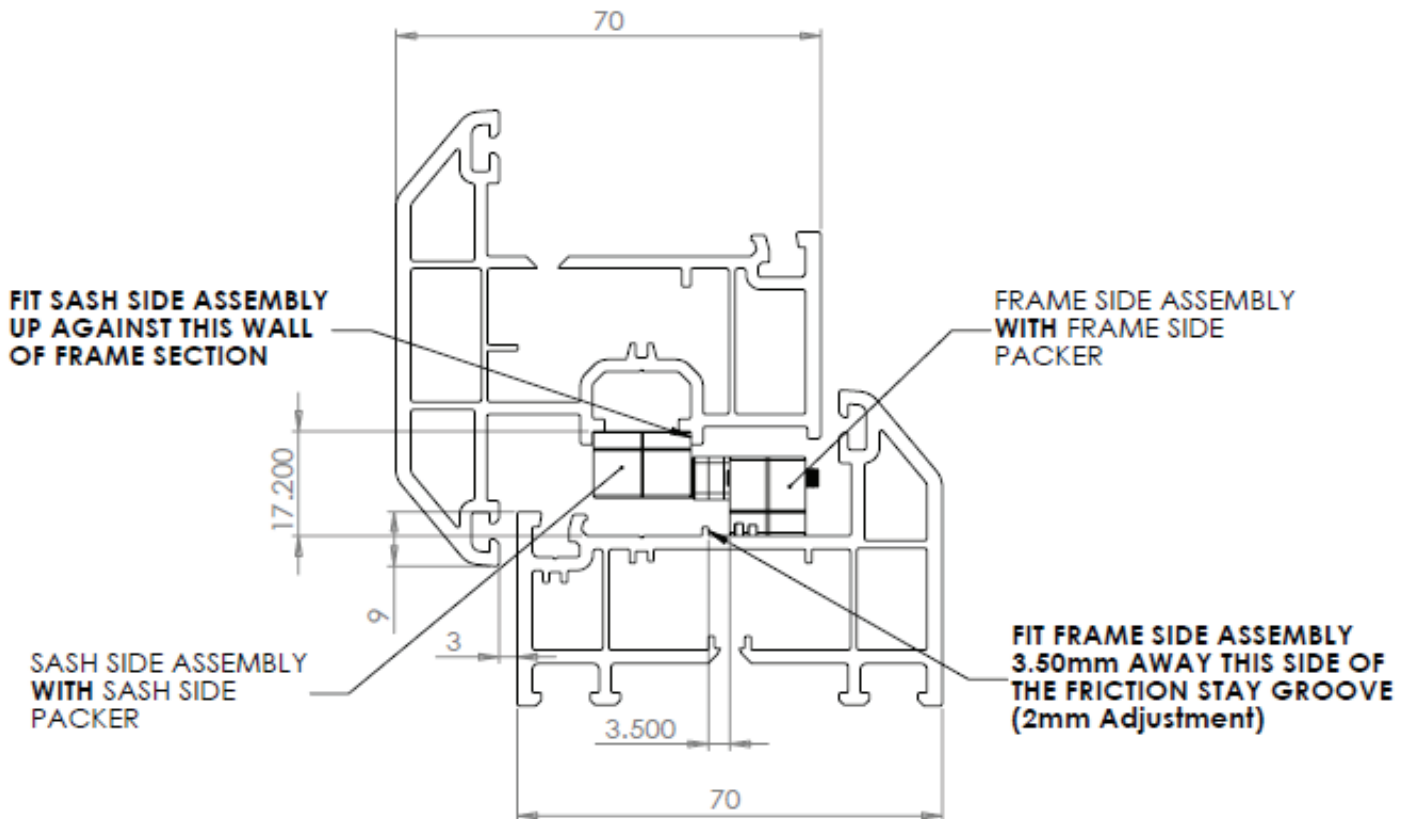
## Deceuninck 2500 Fitting Detail



Profile:	Deceuninck 2500 (60mm Section)
Stack Height	17.00mm
Gasket Compression	3.00mm
Sash to Frame Cover:	9.00mm
Magnet Holder Config:	Fit on Sash side with packer.
Adjustment Block Config:	Fit on Frame without packer. Adjust to approx. 2.00mm. Use fitting jig to position on frame



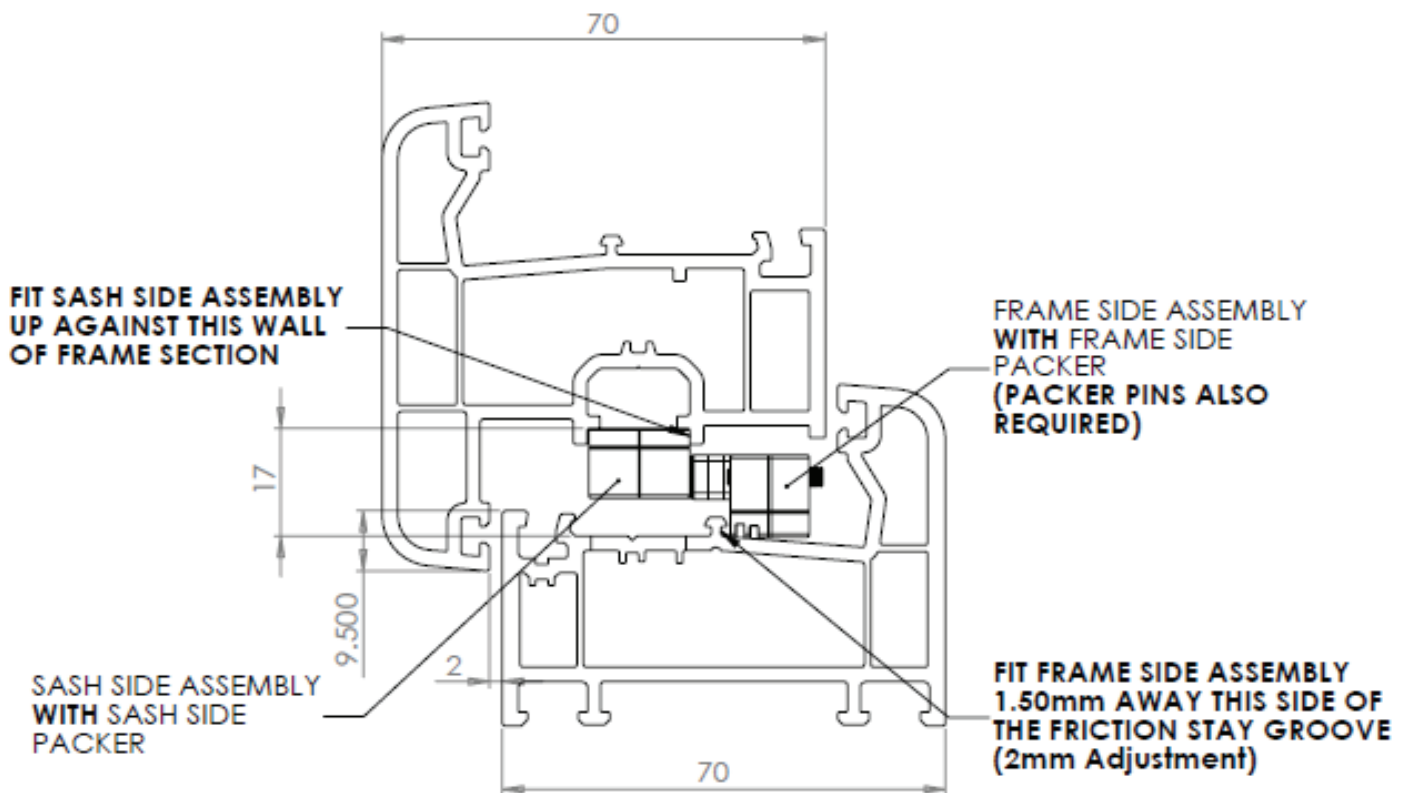
## Deceuninck 2800 Fitting Detail



Profile:	Deceuninck 2800 (70mm Section)
Stack Height	17.00mm
Gasket Compression	Approx. 3.00mm
Sash to Frame Cover:	Approx. 9.00mm
Magnet Holder Config:	Fit on Sash side with packer.
Adjustment Block Config:	Fit on Frame with packer. Adjust to approx. 2.00mm. Use fitting jig to position on frame



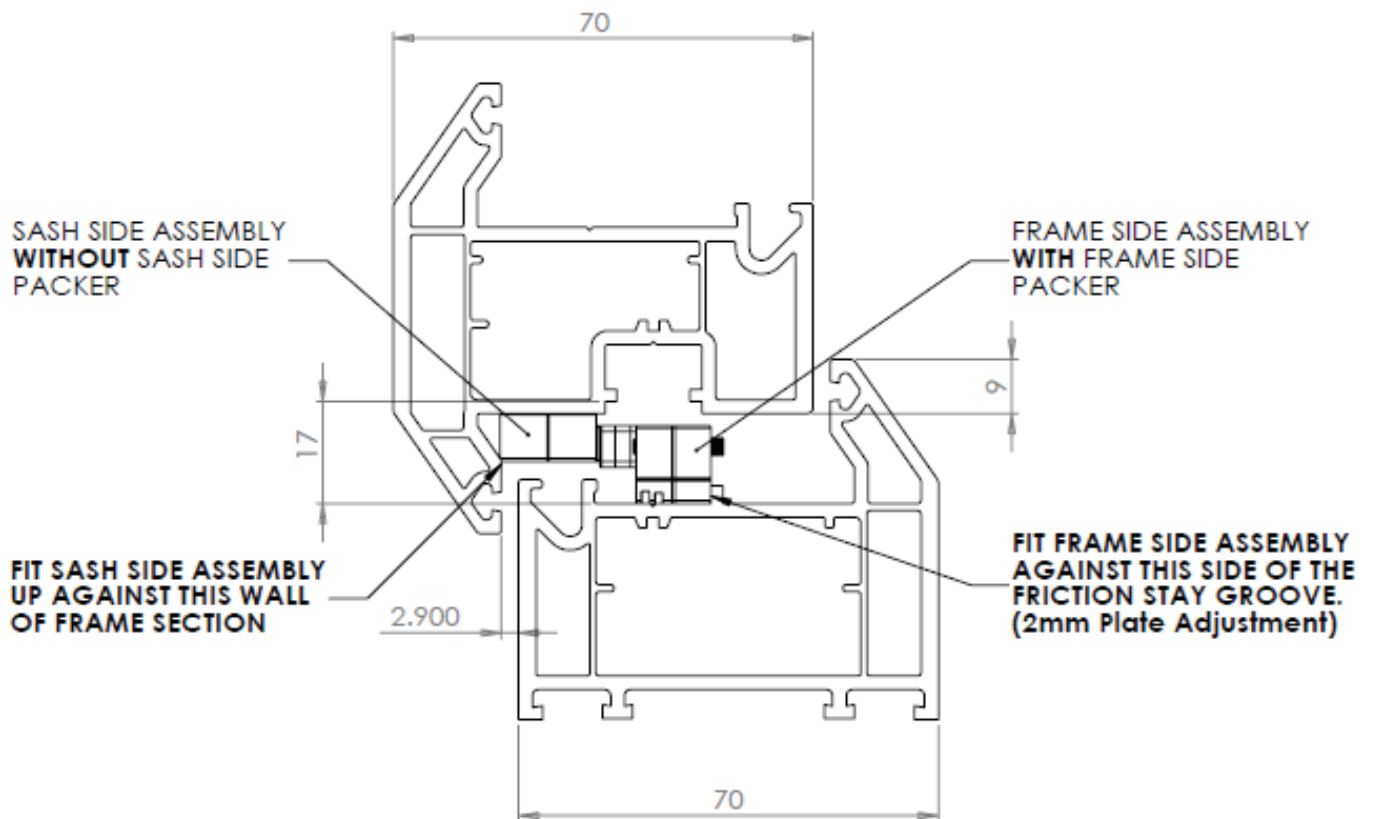
## Deceuninck 2800 (Statuts Zendow) Fitting Detail



Profile:	Deceuninck 2800 (70mm Section) (Statuts Zendow)
Stack Height	17.00mm
Gasket Compression	2.00mm
Sash to Frame Cover:	9.50mm
Magnet Holder Config:	Fit on Sash side with packer.
Adjustment Block Config:	Fit on Frame with packer & packer pins. Adjust to approx. 2.00mm



## Eurocell Logik 70 Fitting Detail

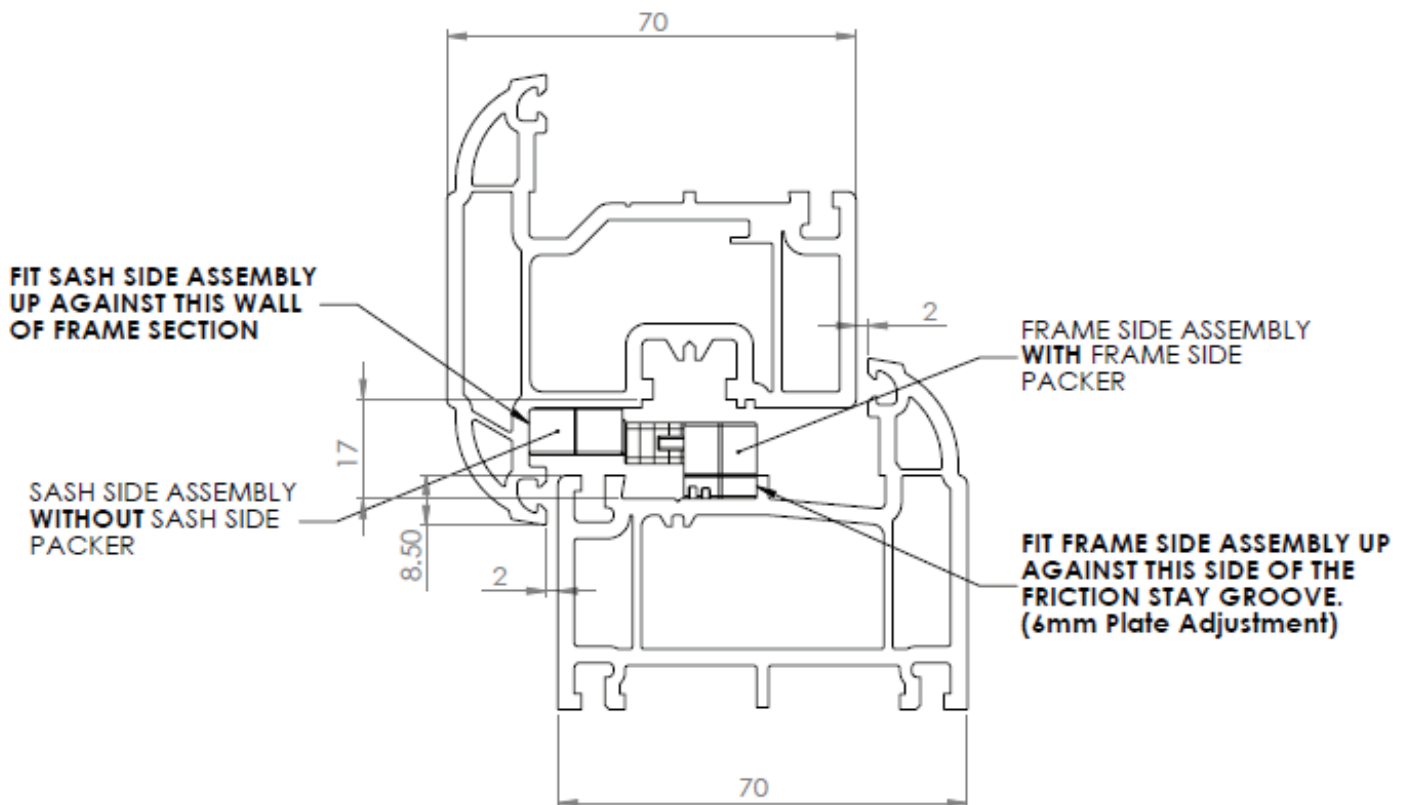


Profile:	Eurocell Logik 70 (70mm Section)
Stack Height	17.00mm
Gasket Compression	2.90mm
Sash to Frame Cover:	9.00mm
Magnet Holder Config:	Fit on Sash side without packer.
Adjustment Block Config:	Fit on Frame without packer, adjusted to approx. 2.00mm.





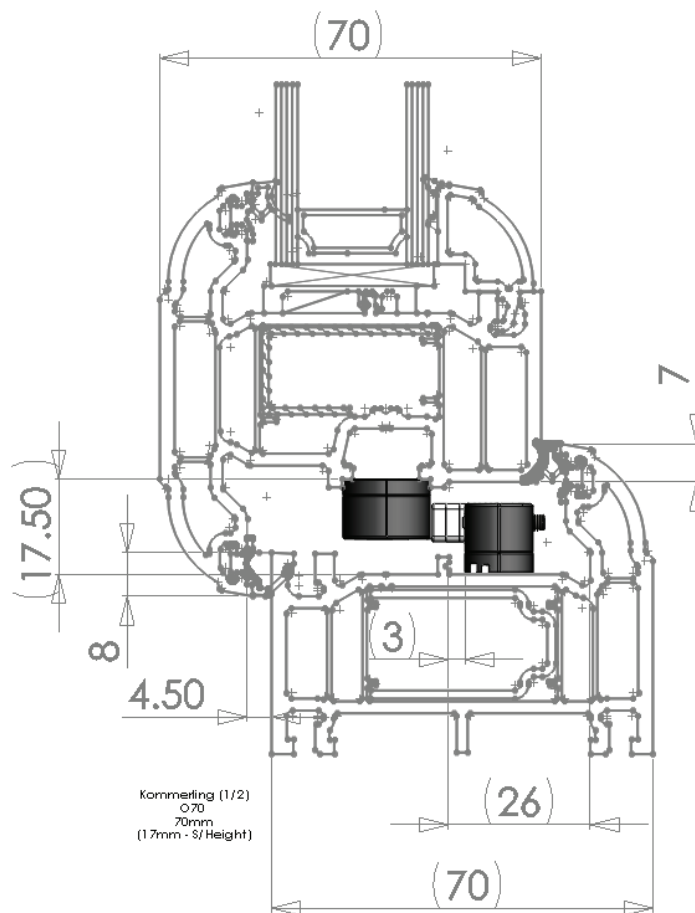
## Kommerling Connoisseur Fitting Detail



Profile:	Kommerling Connoisseur (70mm Section)
Stack Height	17.00mm
Gasket Compression	2.00mm
Sash to Frame Cover:	8.50mm
Magnet Holder Config:	Fit on Sash side without packer.
Adjustment Block Config:	Fit on Frame without packer. Adjust to approx. 6.00mm (JIG MAY BE REQUIRED)



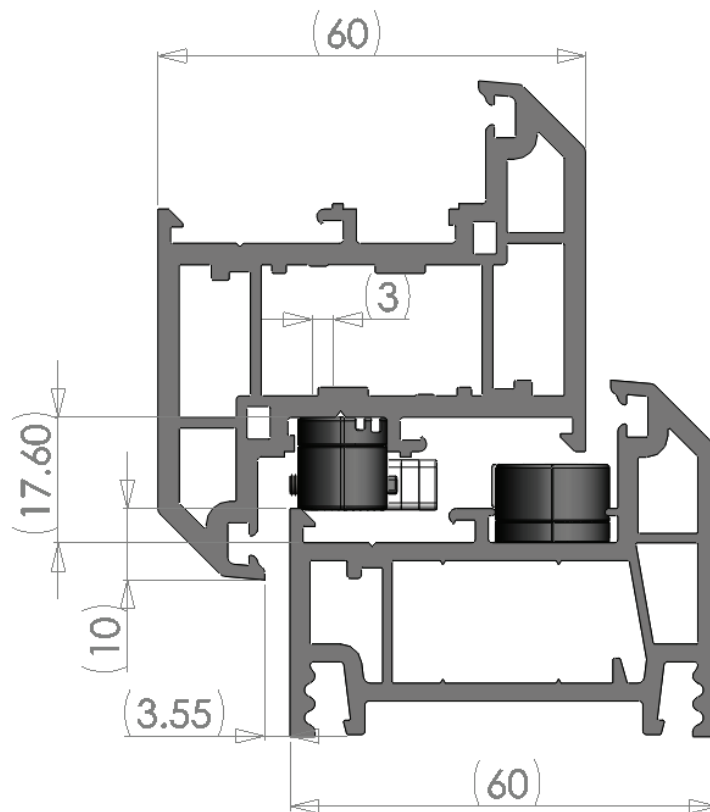
## Kommerling 070 Fitting Detail



Profile:	Kommerling 070 (60mm Section)
Stack Height	17.50mm
Gasket Compression	4.50mm
Sash to Frame Cover:	8.00mm
Magnet Holder Config:	Fit on Sash side with packer in Eurogroove
Adjustment Block Config:	Fit on Frame with packer. Adjust to approx. 2.00mm. Use fitting jig to position on frame



## LB Plastics - Sheerframe 6000 Fitting Detail

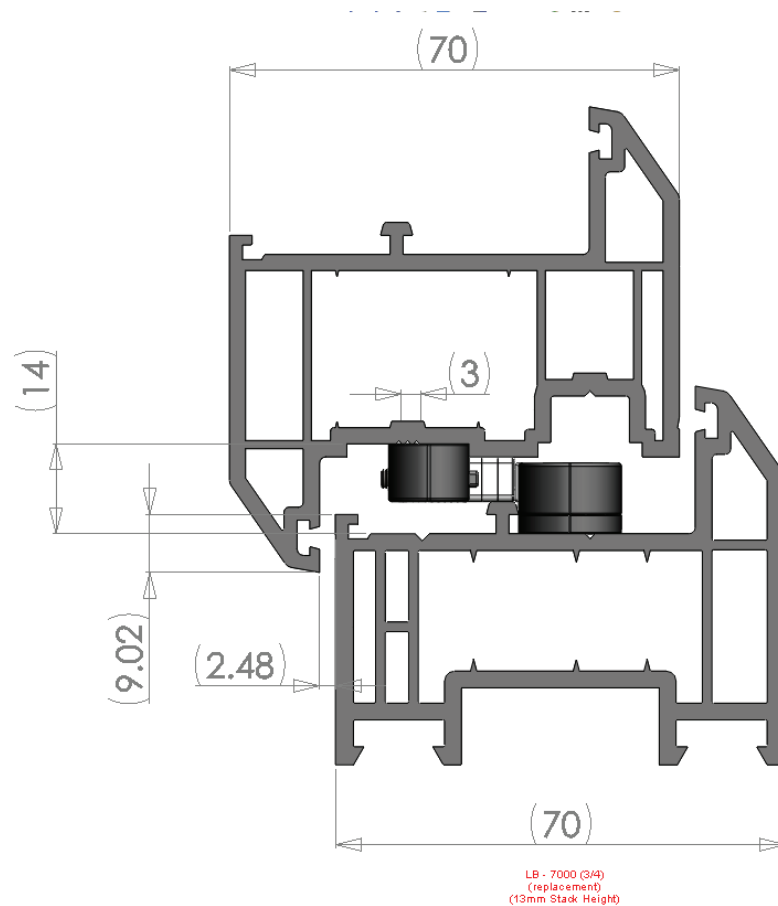


LB - 5000 (no-euro)  
(17mm Stack Height)

Profile:	LB Plastics Sheerframe 6000 (60mm Section)
Stack Height	13.50mm
Gasket Compression	2.90mm
Sash to Frame Cover:	12.00mm
Magnet Holder Config:	Fit on Sash side with packer.
Adjustment Block Config:	Fit on Frame without packer. Adjust to approx. 2.00mm. Use jig to position frame



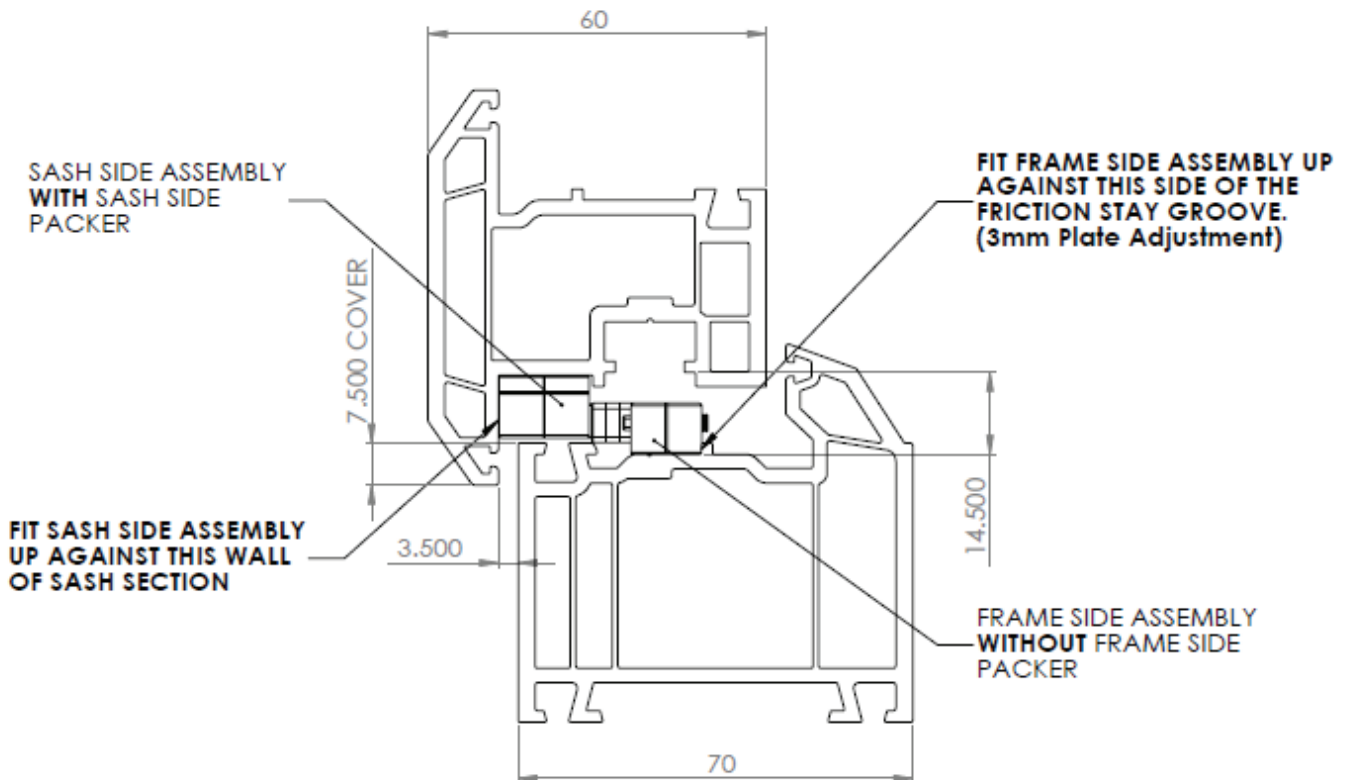
## LB Plastics - Sheerframe 7000 Fitting Detail



Profile:	LB Plastics - Sheerframe 7000 (58mm Section)
Stack Height	14.00mm
Gasket Compression	Approx. 2.50mm
Sash to Frame Cover:	Approx. 9.00mm
Magnet Holder Config:	Fit on Frame side without packer.
Adjustment Block Config:	Fit on Sash with packer. Adjust to approx. 3.00mm.



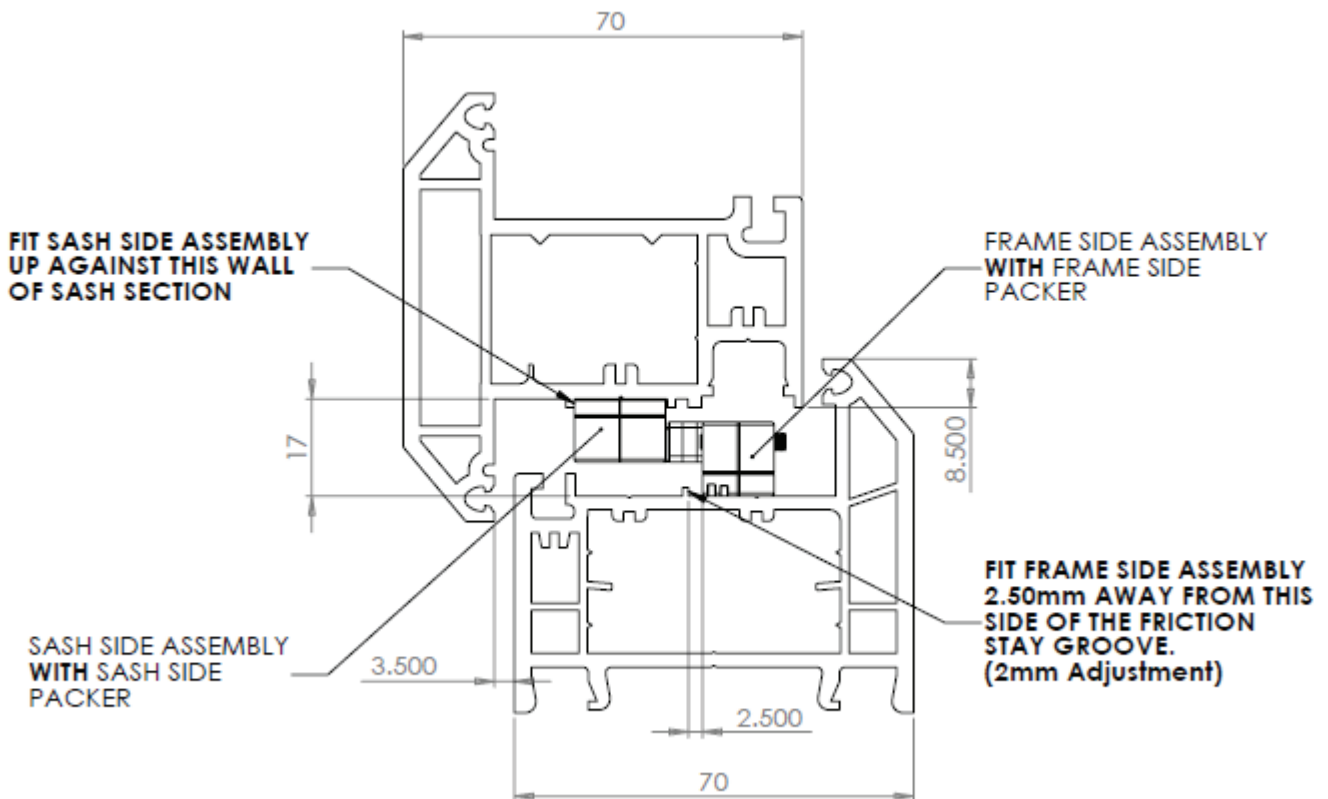
## Profile 22 (70mm) Fitting Detail



Profile:	Profile 22 (70mm Section)
Stack Height	14.50mm
Gasket Compression	3.50mm
Sash to Frame Cover:	7.50mm
Magnet Holder Config:	Fit on Sash side without packer.
Adjustment Block Config:	Fit on Frame without packer, adjusted to approx. 3.00mm.



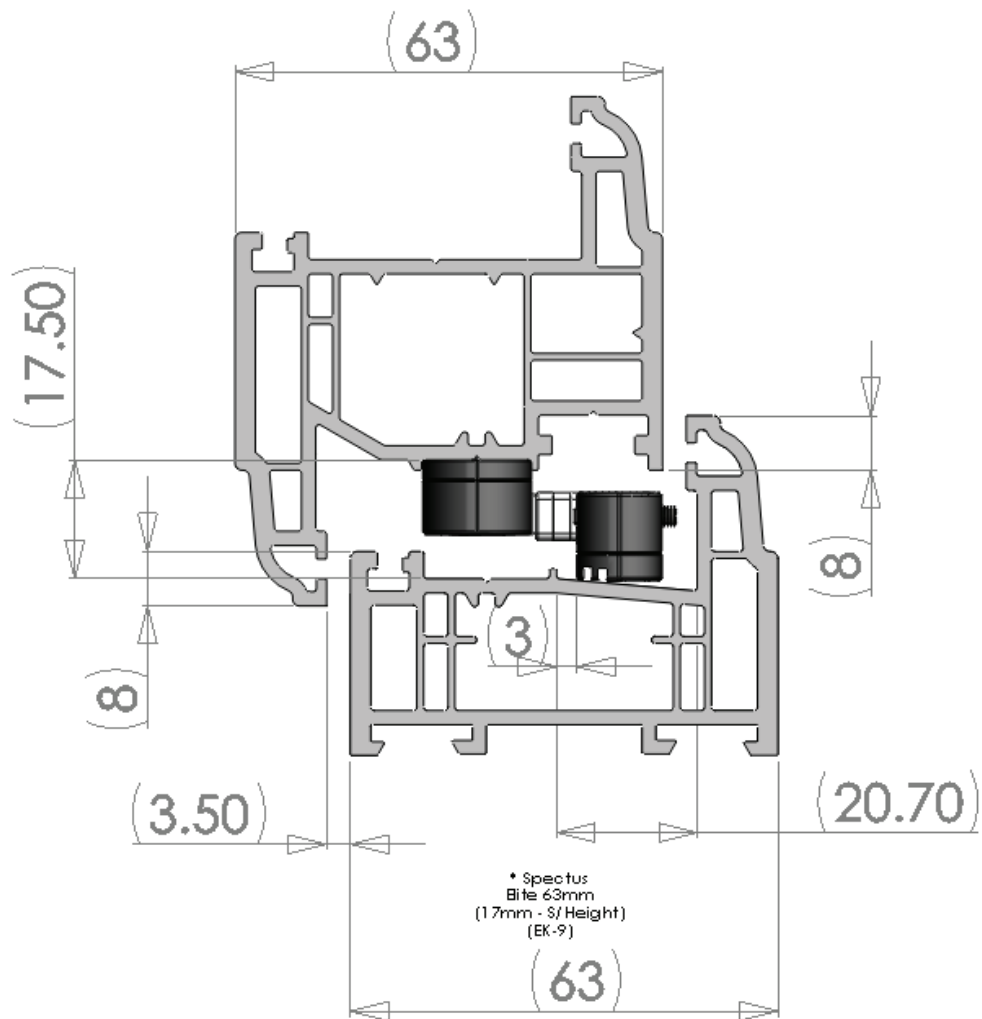
## Rehau 706 Fitting Detail



Profile:	Rehau (70mm Section)
Stack Height	17.00mm
Gasket Compression	3.50mm
Sash to Frame Cover:	8.50mm
Magnet Holder Config:	Fit on Sash side with packer.
Adjustment Block Config:	Fit on Frame without packer, adjusted to approx. 2.00mm. Use fitting jig to fit adjustment block



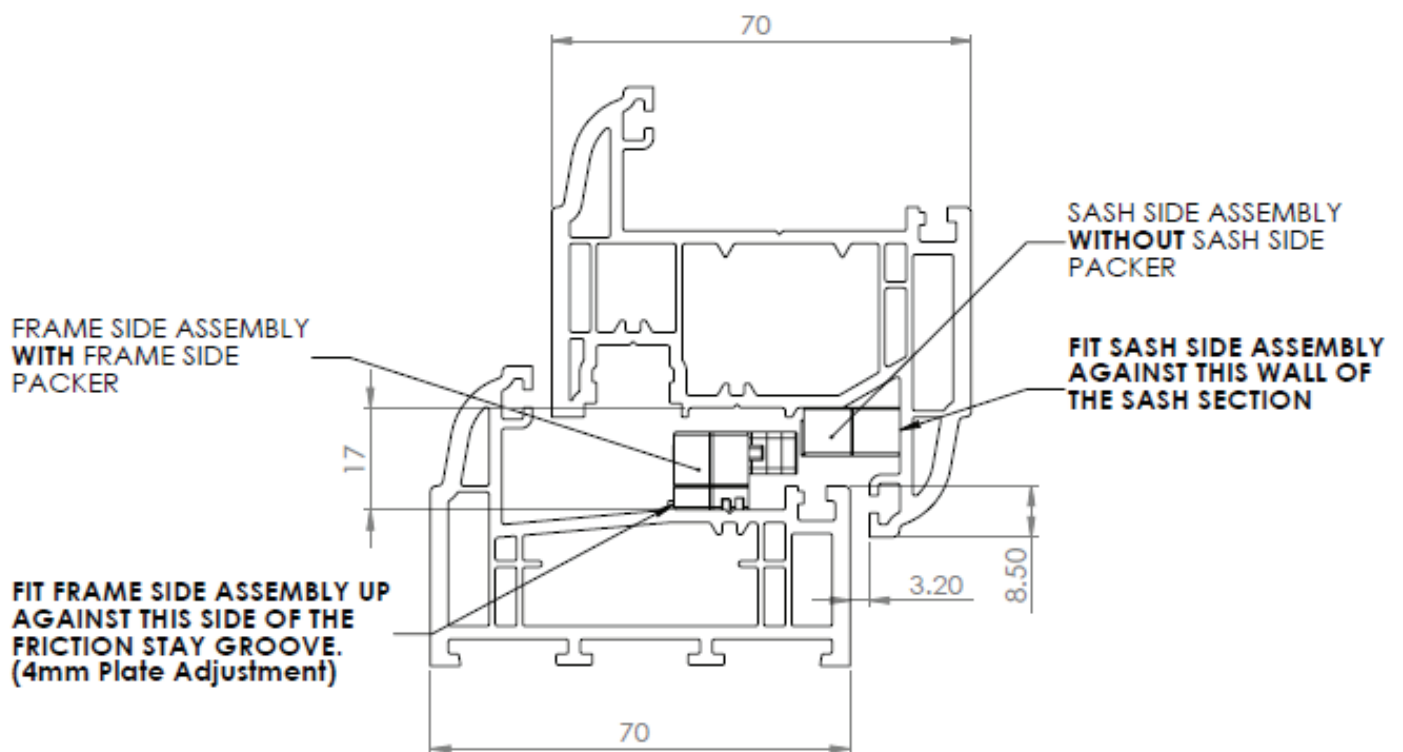
## Spectus Elite 63 Fitting Detail



Profile:	Spectus Elite 63 (63mm Section)
Stack Height	17.50mm
Gasket Compression	3.50mm
Sash to Frame Cover:	8.00mm
Magnet Holder Config:	Fit on Sash side without packer.
Adjustment Block Config:	Fit on Frame with packer, & packer pins. Adjust to approx. 2.00mm. Use fitting jig to fit adjustment block



## HW Elite 70 Fitting Detail

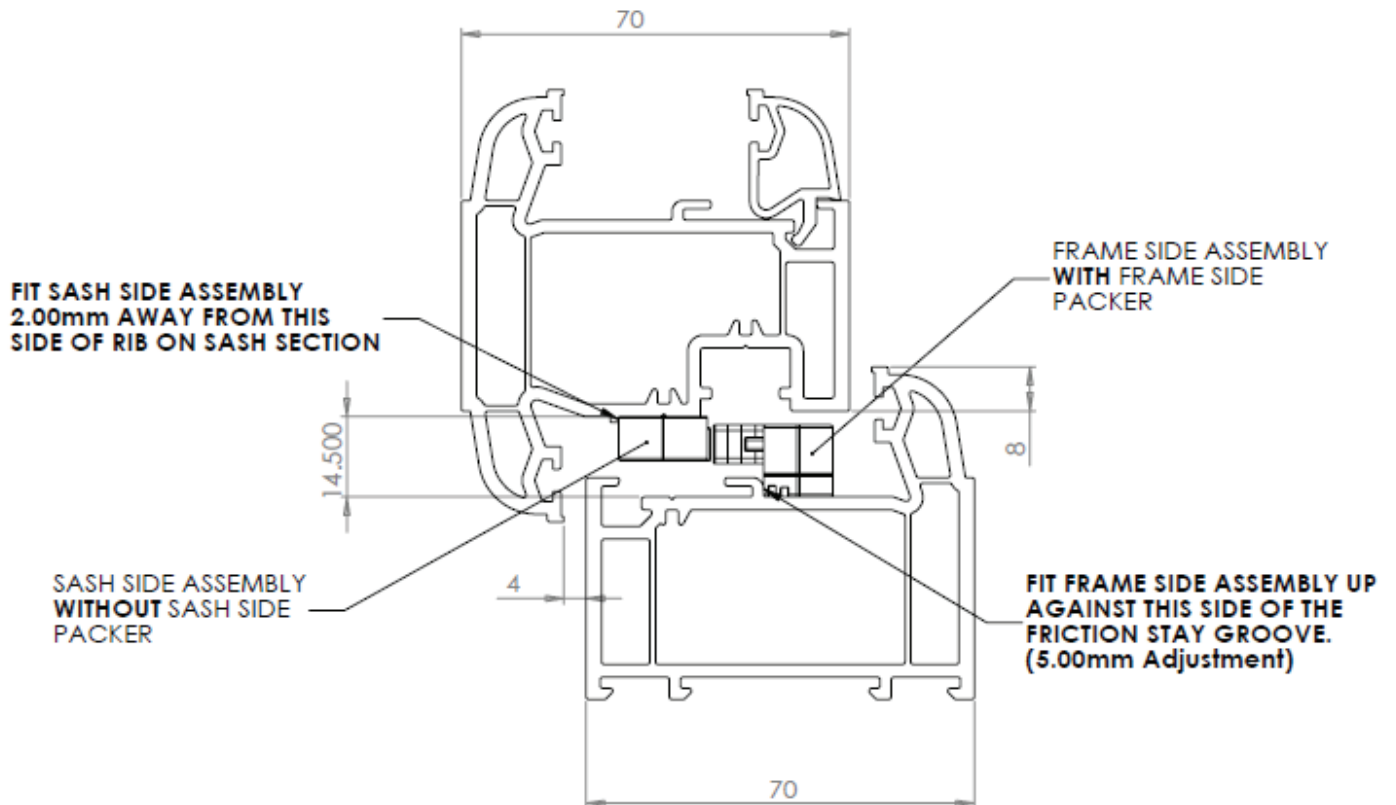


Profile:	HW Elite 70 (70mm Section)
Stack Height	17.00mm
Gasket Compression	3.20mm
Sash to Frame Cover:	8.50mm
Magnet Holder Config:	Fit on Sash side without packer.
Adjustment Block Config:	Fit on Frame with packer & adjust] to approx. 4.00mm.





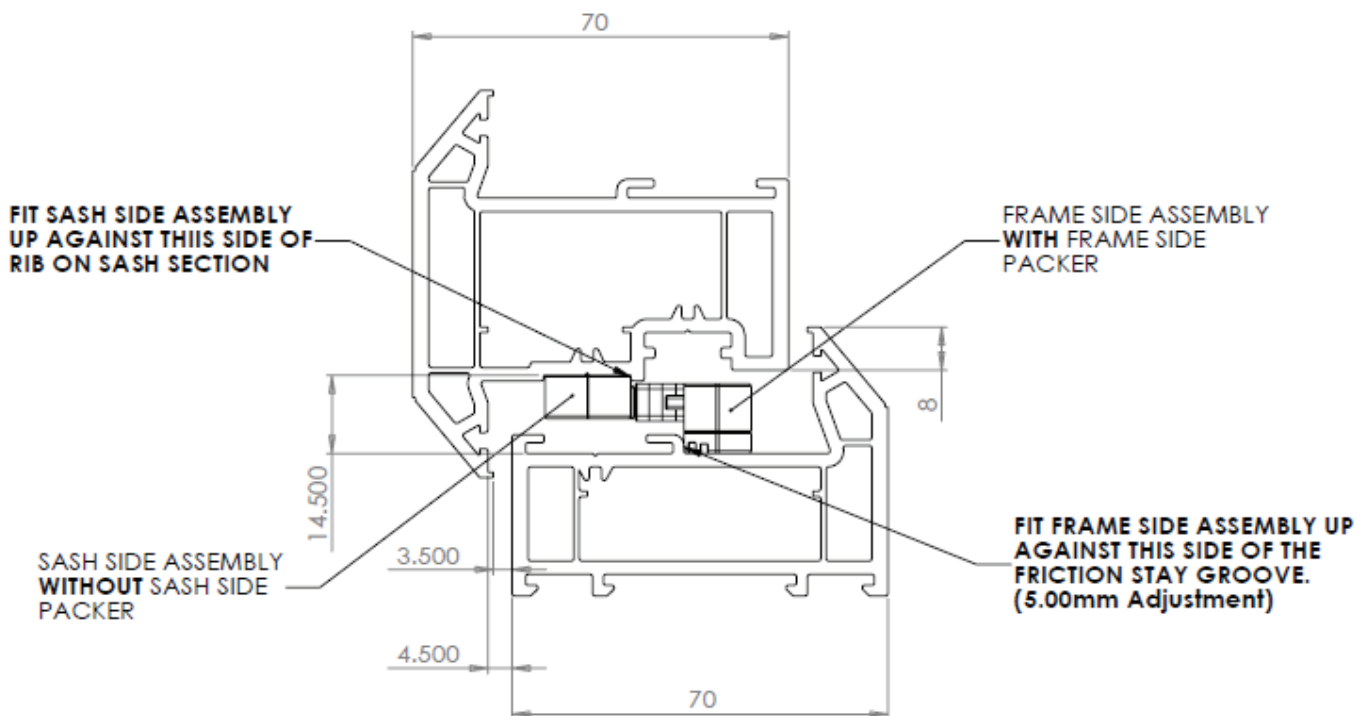
## Synseal Synergy Fitting Detail



Profile:	Synseal Shield (70mm Section)
Stack Height	14.50mm
Gasket Com- pression	4.00mm
Sash to Frame Cover:	8.00mm
Magnet Holder Config:	Fit on Sash side without packer.
Adjustment Block Config:	Fit on Frame without packer, adjusted to approx. 5.00mm.



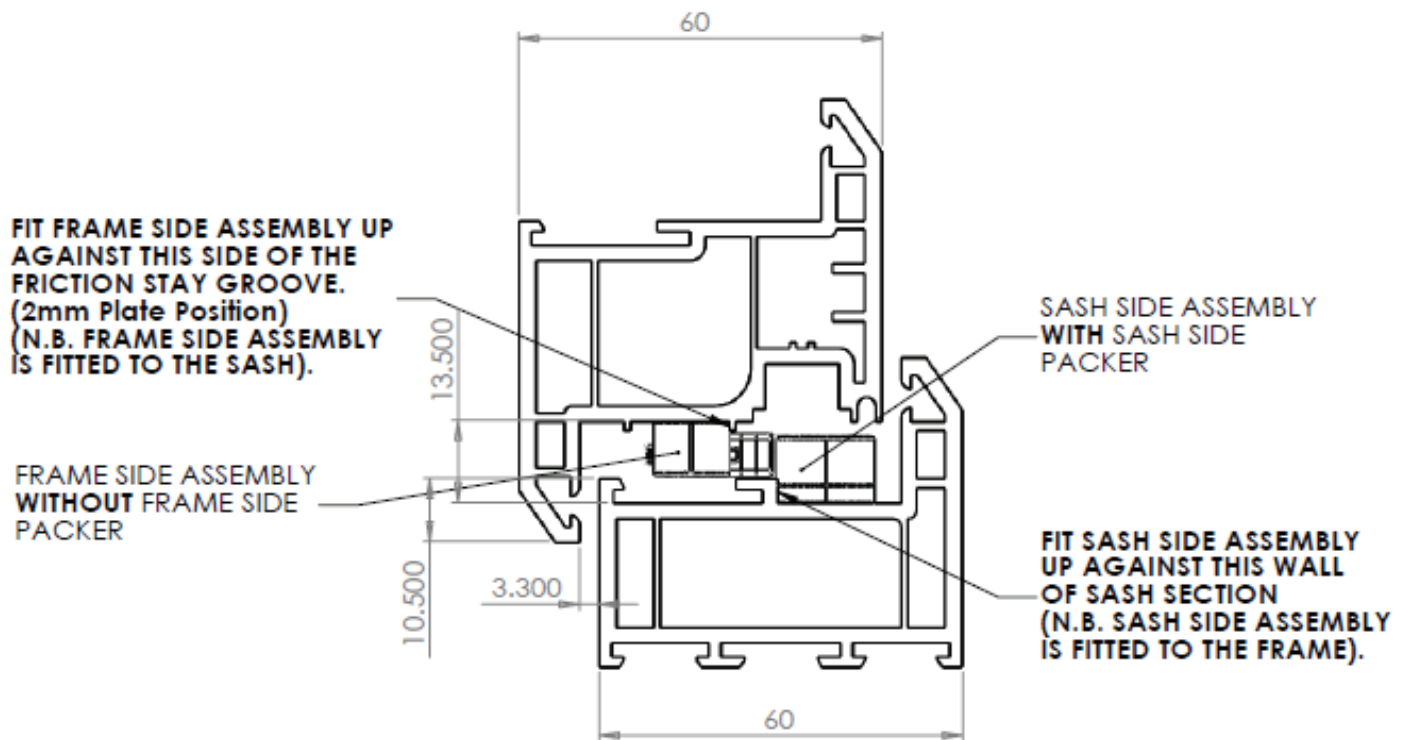
## Synseal Shield Fitting Detail



Profile:	Synseal Shield (70mm Section)
Stack Height	14.50mm
Gasket Compression	3.50mm
Sash to Frame Cover:	8.00mm
Magnet Holder Config:	Fit on Sash side without packer.
Adjustment Block Config:	Fit on Frame without packer, adjusted to approx. 5.00mm.



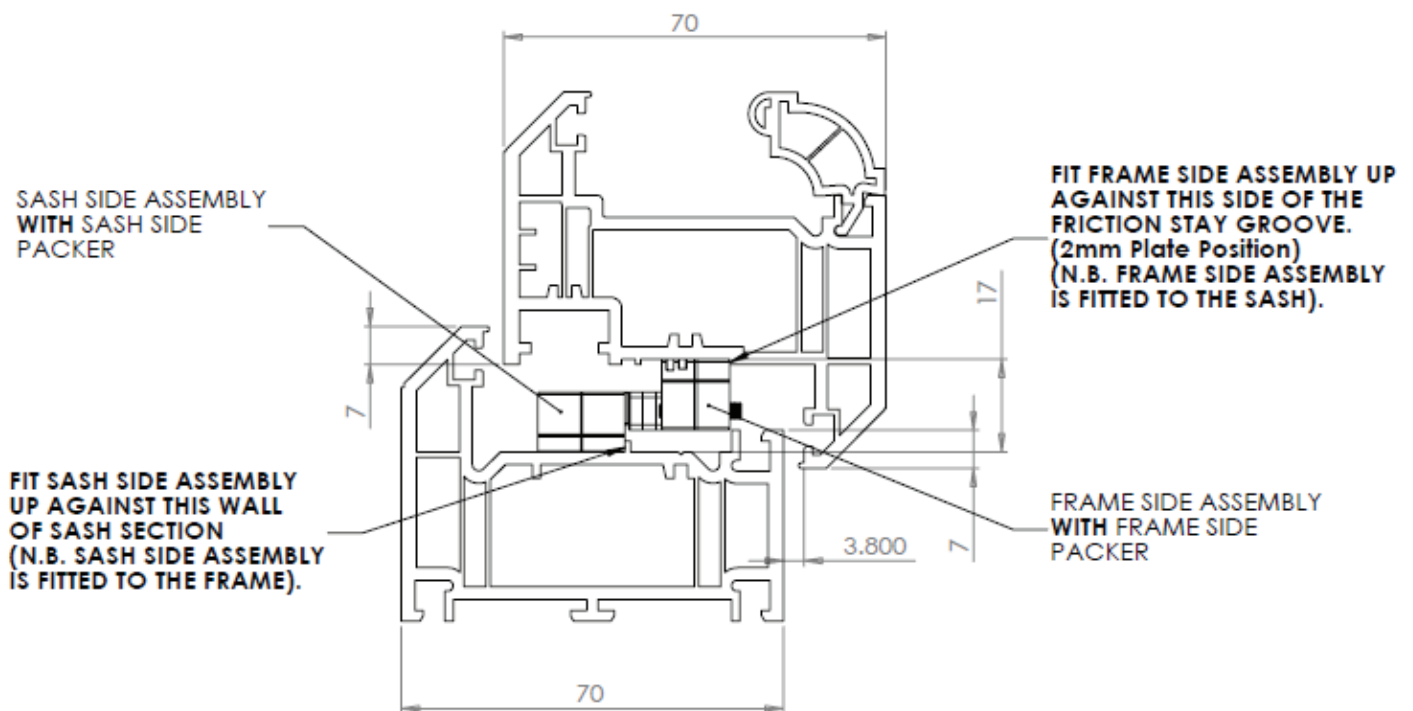
## Selecta 8000 Fitting Detail



Profile:	Selecta 8000 (60mm Section)
Stack Height	13.50mm
Gasket Compression	3.30mm
Sash to Frame Cover:	10.50mm
Magnet Holder Config:	Fit on Sash side with packer.
Adjustment Block Config:	Fit on Frame without packer. Adjust to approx. 2.00mm



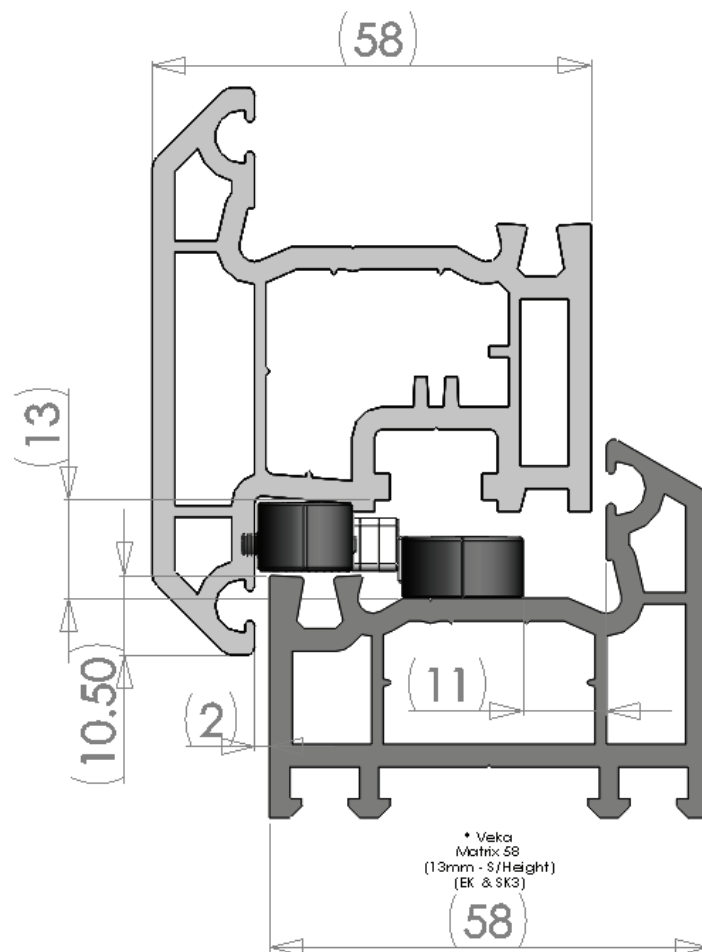
## Selecta Advanced 70 Fitting Detail



Profile:	Selecta Advanced 70 (70mm Section)
Stack Height	13.50mm
Gasket Compression	3.30mm
Sash to Frame Cover:	10.50mm
Magnet Holder Config:	Fit on Frame side with packer.
Adjustment Block Config:	Fit on Sash with packer. Adjust to approx. 2.00mm



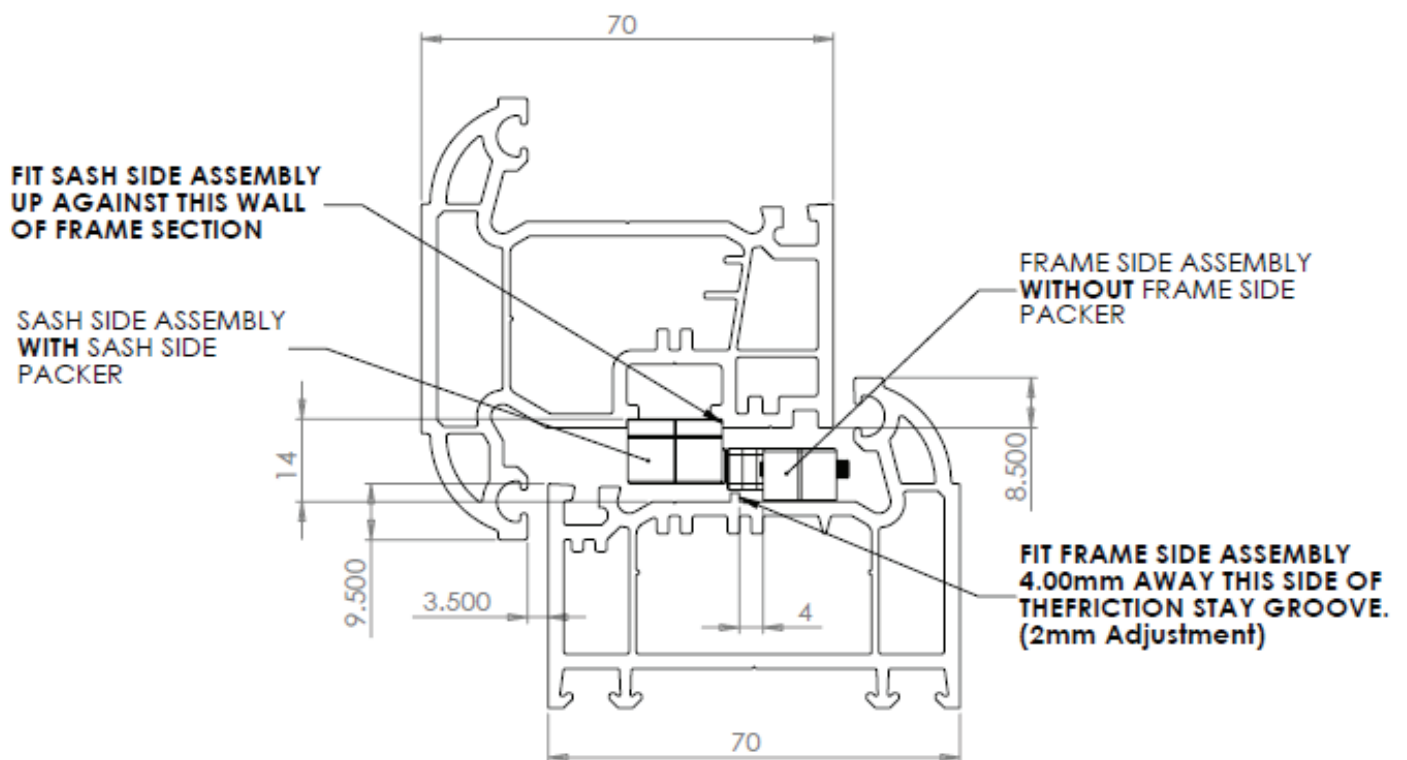
## Veka Matrix 58 Fitting Detail



Profile:	Veka Matrix 58 (58mm Section)
Stack Height	13.00mm
Gasket Compression	2.00mm
Sash to Frame Cover:	10.50mm
Magnet Holder Config:	Fit on Sash side without packer.
Adjustment Block Config:	Fit on Frame without packer, adjusted to approx. 2.00mm



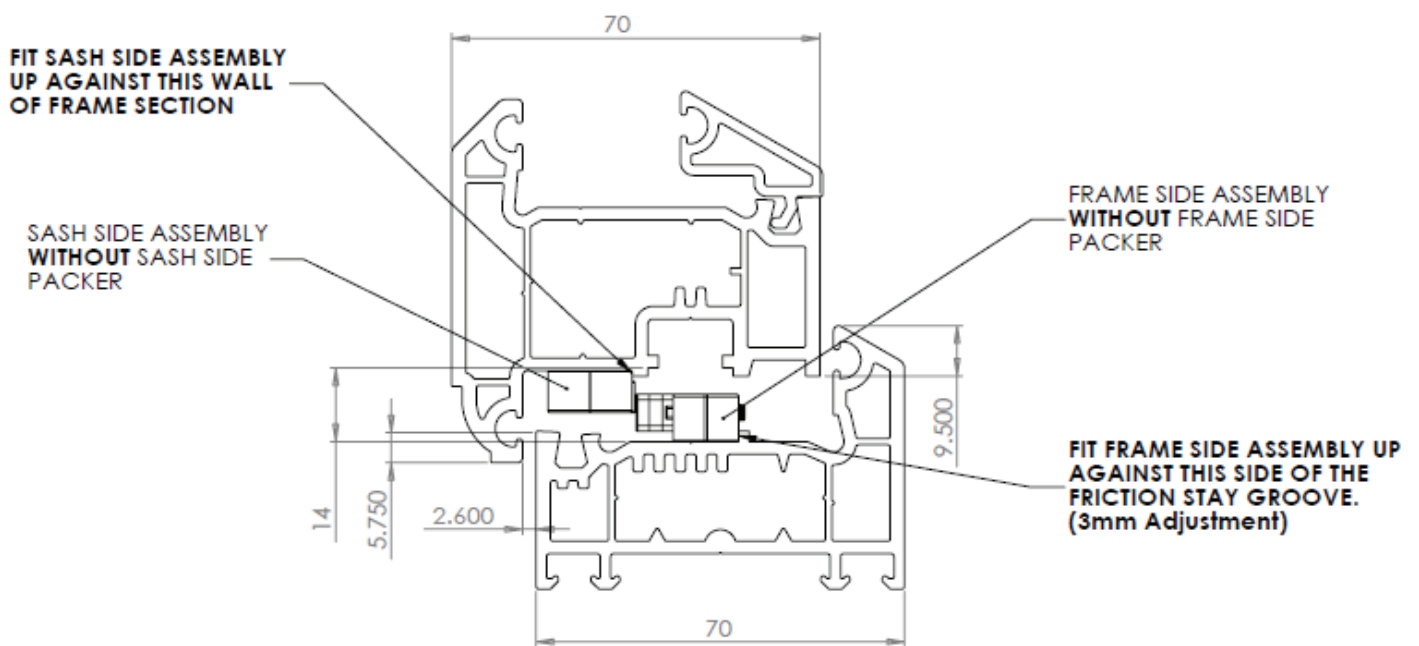
## Veka Matrix 70 Olvo Fitting Detail



Profile:	Veka Matrix 70 Olvo (70mm Section)
Stack Height	14.00mm
Gasket Compression	3.50mm
Sash to Frame Cover:	9.50mm
Magnet Holder Config:	Fit on Sash side with packer in Eurogroove
Adjustment Block Config:	Fit on Frame without packer & adjust to approx. 2.00mm. Using fitment jig to position 4.00 from rib



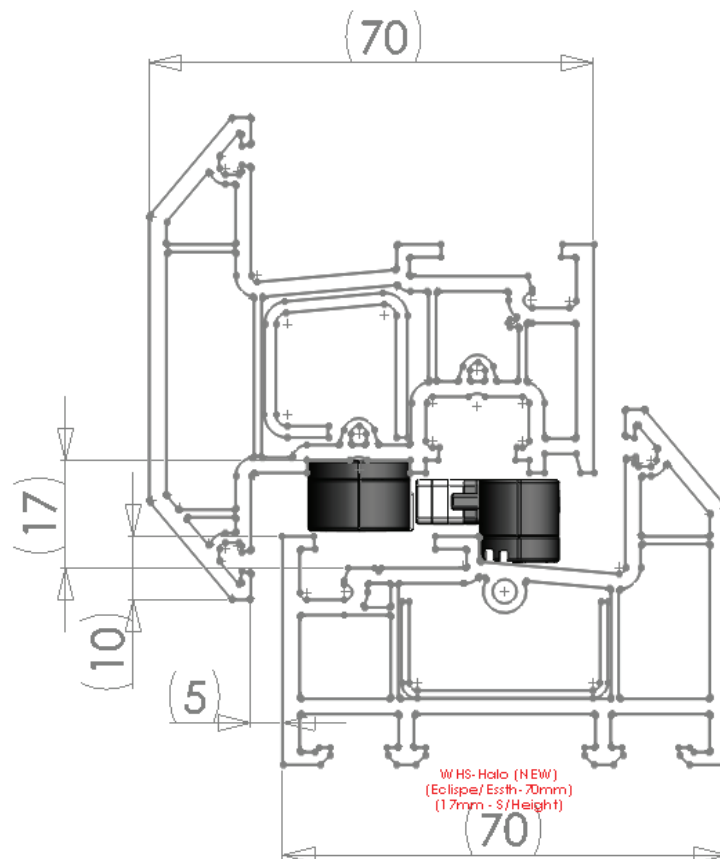
## Veka Matrix 70 Chamfered Fitting Detail



Profile:	Veka Matrix 70 Chamfered (70mm Section)
Stack Height	14.00mm
Gasket Compression	2.60mm
Sash to Frame Cover:	5.75mm
Magnet Holder Config:	Fit on Sash side without packer.
Adjustment Block Config:	Fit on Frame without packer & adjust to approx. 3.00mm



## WHS Halo Eclipse (Int) Fitting Detail

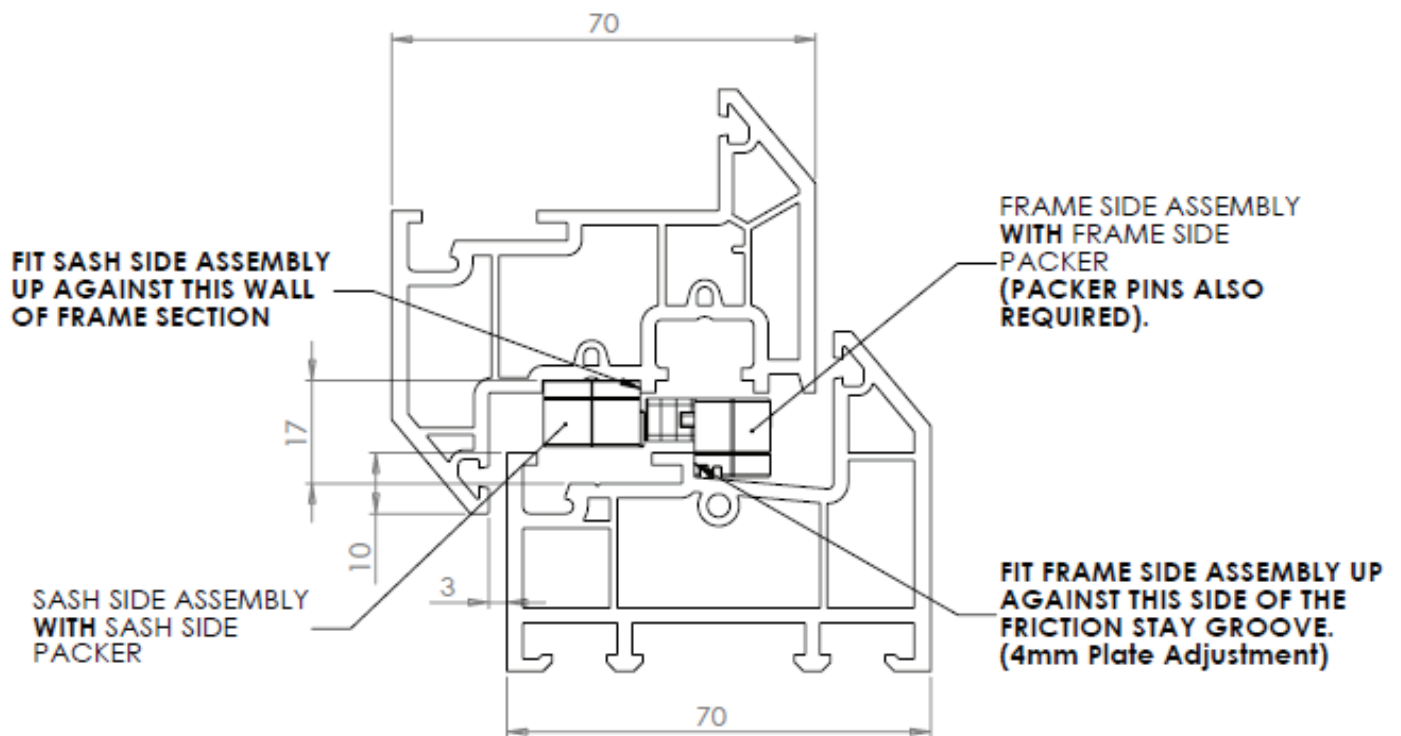


Profile:	WHS Halo Eclipse (int) (70mm Section)
Stack Height	17.00mm
Gasket Compression	5.00mm
Sash to Frame Cover:	10.00mm
Magnet Holder Config:	Fit on Sash side with packer.
Adjustment Block Config:	Fit on Frame with packer and packer pins. Adjust to approx. 6.00mm





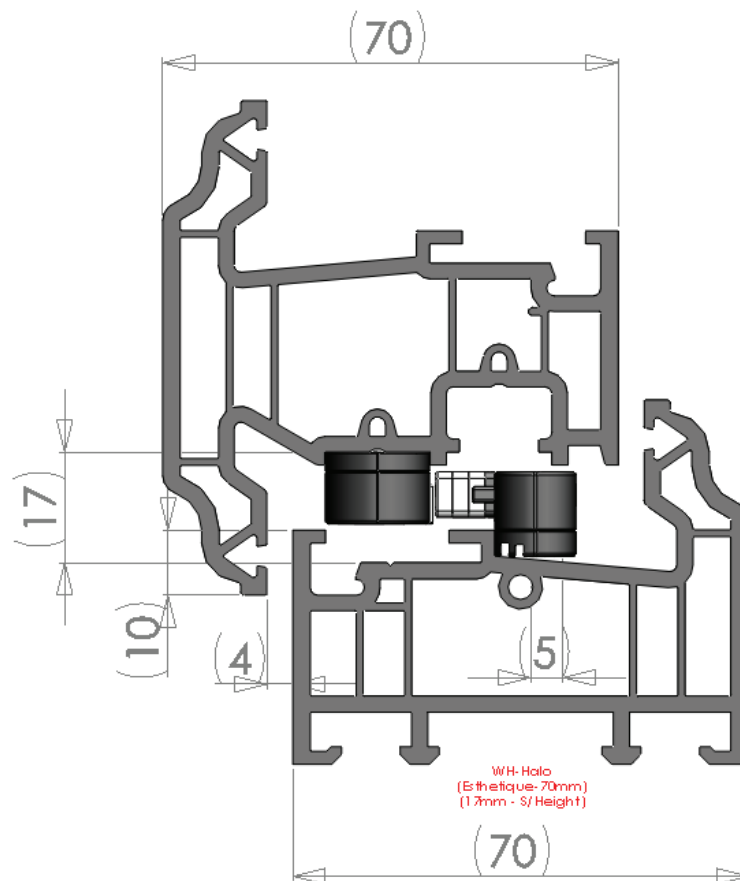
## WHS Halo Eclipse (Ext) Fitting Detail



Profile:	WHS Halo Eclipse (Ext) (70mm Section)
Stack Height	17.00mm
Gasket Compression	3.00mm
Sash to Frame Cover:	10.00mm
Magnet Holder Config:	Fit on Sash side with packer.
Adjustment Block Config:	Fit on Frame without packer & packer pins. Adjust to approx. 4.00mm



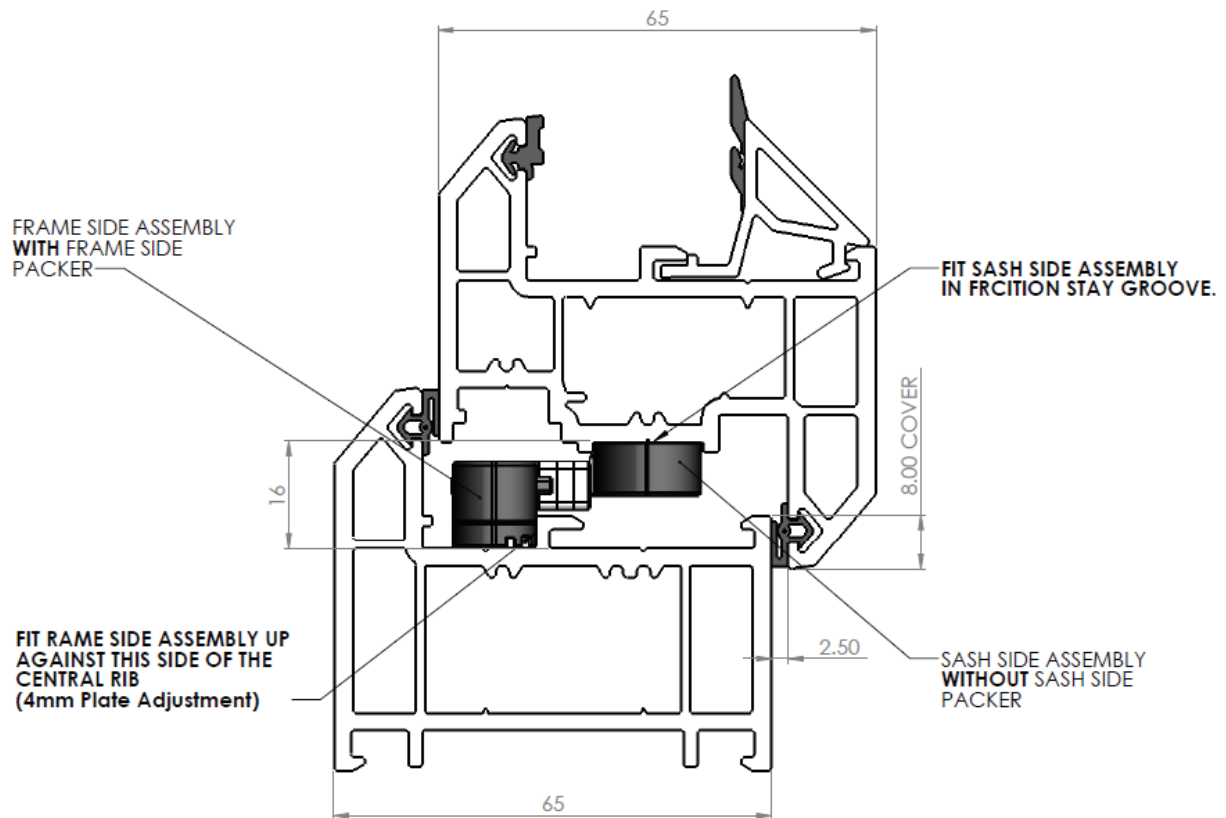
## WHS Halo Esthetique (int) Fitting Detail



Profile:	WHS Halo Esthetique (70mm Section)
Stack Height	17.00mm
Gasket Compression	4.00mm
Sash to Frame Cover:	10.00mm
Magnet Holder Config:	Fit on Sash side with packer.
Adjustment Block Config:	Fit on Frame without packer & packer pins. Adjust to approx. 5.00mm



## Swiftframe Fitting Detail



Profile:	Swiftframe (Externally Beaded)
Stack Height	16.00mm
Gasket Compression	2.50mm
Sash to Frame Cover:	8.00mm
Magnet Holder Config:	Fit on Sash side with packer. (Fit against central rib on frame as datum)
Adjustment Block Config:	Fit on Frame without packer. Adjust to approx. 4.00mm.