

ERA

1830

High Security British Standard Nightlatch Fitting Instructions

Installing a High Security British Standard Nightlatch

To fit a High Security BS Nightlatch Lock you will require the following tools:

- Drill
- 2mm, 6mm, 10mm and 32mm drill bits
- Rule
- Hacksaw
- Mallet
- Chisel
- Posidriv screwdriver
- Pencil

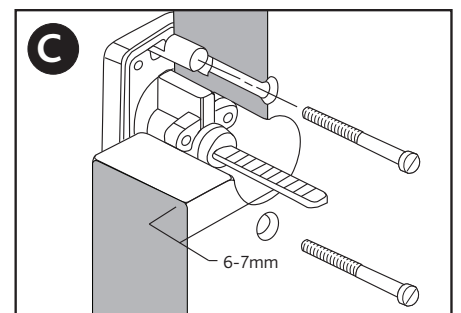
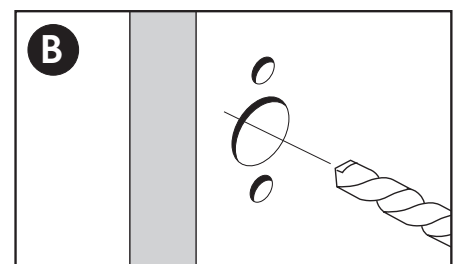
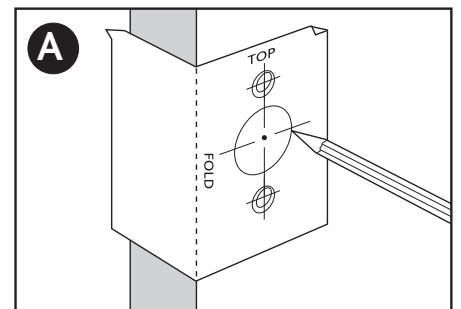
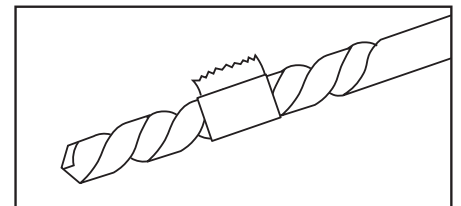
Note: Fitting instructions apply to both 40mm and 60mm products.

Before fitting the BS Nightlatch please make note of the following:

1. For fitting a narrow 40mm backset product - ensure you follow the correct template instructions relating to the 40mm dimensions.
2. For fitting a standard 60mm backset product - ensure you follow the correct template instructions relating to the 60mm dimensions.

Fitting Tips: To ensure you drill to the correct depth, mark your drill bits with adhesive tape at the required drill depth prior to drilling.

- A** Select desired height for lock. Select either Mounting Plate Template A (for door hinged on the right as seen from the inside) **OR** Template B (for door hinged on the left as seen from the inside). Using the selected template, mark the centre of the 3 holes either 40mm or 60mm (as stated above) from the edge of the door on both sides of the door.
- B** At the middle mark (drilling from both sides of the door), drill a 32mm hole through the door. Working from the **outside** of the door, drill a 10mm diameter hole to a depth of 16mm at each of the two marked spots. Working from the **inside** of the door, drill a 6mm diameter hole through the door at each of the two marked spots. Countersink these two holes using a 10mm drill bit to a depth of 5mm.
- C** With the key removed, insert the cylinder pull through the door. With a pencil, mark cylinder bar level with inside of surface of the door. Remove cylinder and cut the bar so that it will project 6-7mm beyond the door face, i.e. beyond the pencil mark. Re-insert the cylinder and secure with (x2) large screws provided ensuring they are sunk below the door surface. Do not over tighten the bolts.



ERA

- D** Remove mounting plate from lock body by unscrewing the 2 retaining screws. Place the mounting plate over the connecting bar. Secure the mounting plate to the cylinder pull using the two slotted connecting bolts through the mounting plate top centre holes. Do not over tighten the bolts.

Note: For doors less than 45mm thick, connecting bolts may need to be shortened using a hacksaw.

Using the 4 wood screws provided, secure the mounting plate in positions A and C. When fixing mount plate, if holes A are not suitable due to previous holes etc, plate using positions B.

- E** Using lock as template, locate lock body over mounting plate. Mark area to be removed from the door edge remove lock from mounting plate and chisel out so that the lock face (kitemarked edge) sits flush. Mark the position of the 2 fixing holes. Remove lock and drill positions marked, drilling pilot holes if necessary.

- F** Locate lock body over mounting plate and slide lock to engage locking pegs, ensuring lock face (kitemarked edge) fits flush in recess. Replace the 2 retaining screws and secure lock using the 2 wood screws provided.

G Fitting the Staple

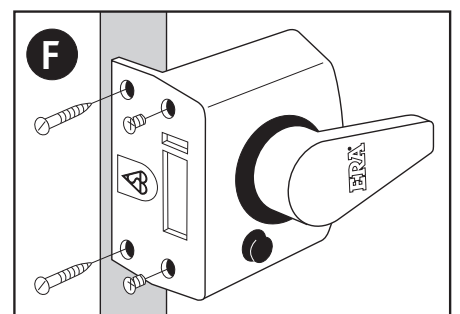
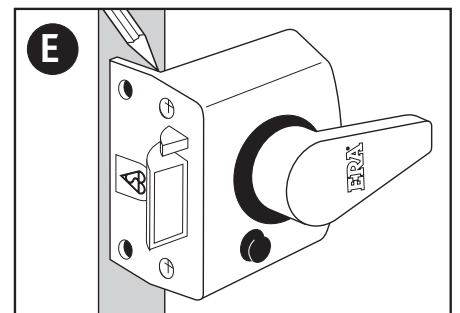
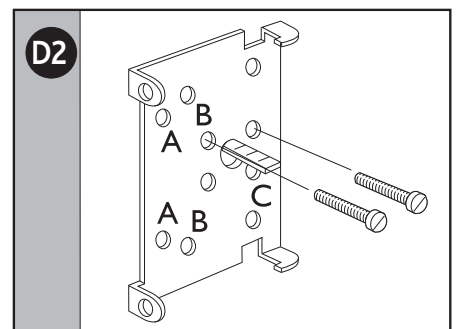
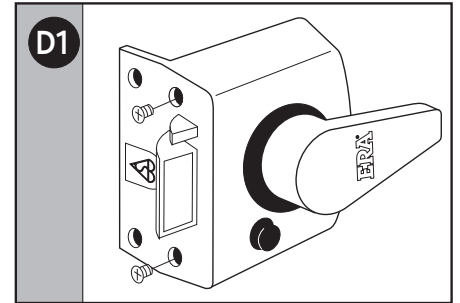
Close door and mark the position of the staple using the lock as a guide. Mark area of wood to be removed from door frame and chisel out. Insert the 3 remaining wood screws provided to fix the staple, drilling the pilot holes is necessary.

Additional Information

Operation - Insert key from the outside and turn to open the door.

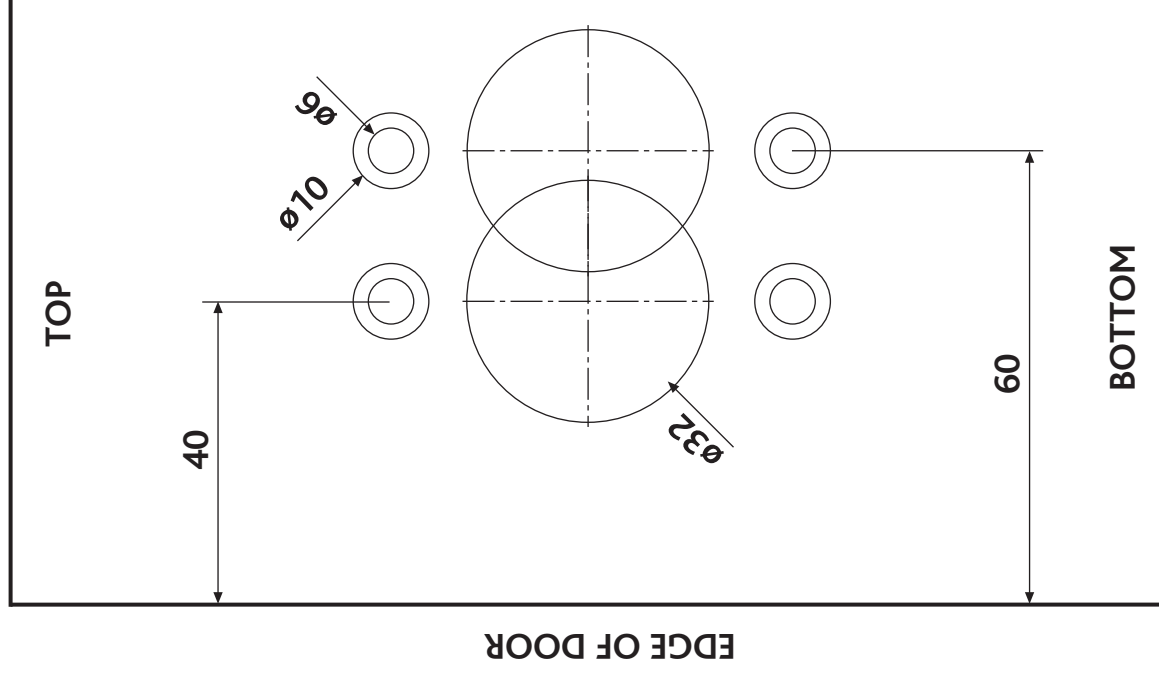
Deadlocking - From inside, insert key into the handle and turn 360° and remove key. The door cannot be opened from the inside. To unlock - reverse operation.

Maintenance - Use a moist cloth only to clean all types of finish. Household abrasives or solvents may affect the surface finish.



A Mounting Plate Template

Use this template for doors hinged on the RIGHT
(as seen from the inside)



B Mounting Plate Template

Use this template for doors hinged on the LEFT
(as seen from the inside)

