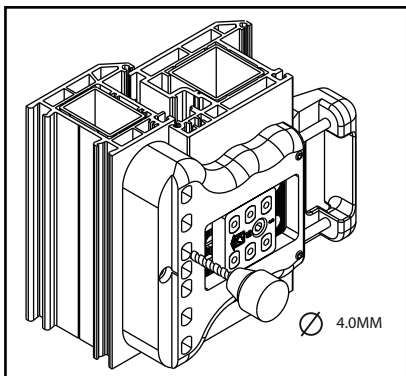




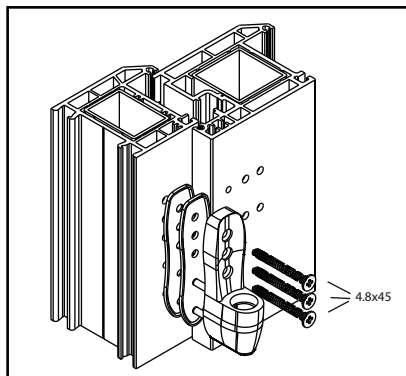
Nexus Door Hinge Fitting Instructions

Installing a Nexus Door Hinge

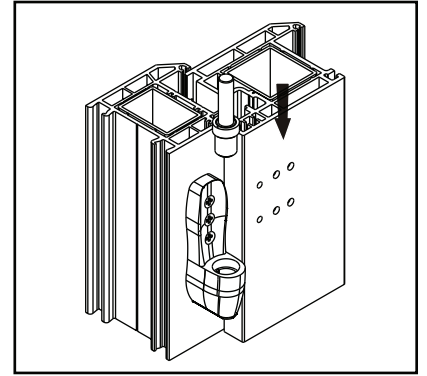
- 1** Position jig over centered sash & frame and pre-drill



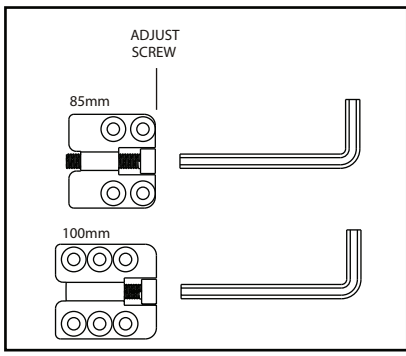
- 2** Add packers if required & fix body using 3x 45mm screws



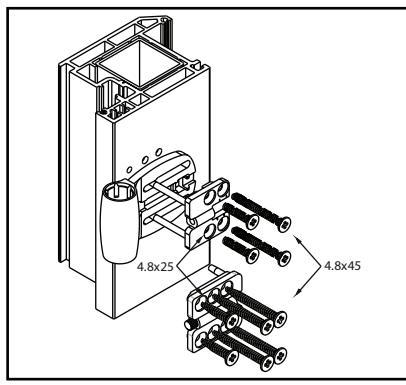
- 3** Locate peg into slot and firmly push hinge into the body



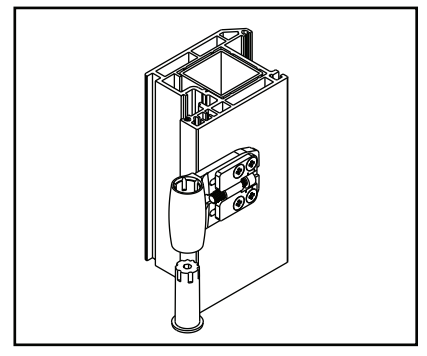
- 4** Ensure the adjuster sledge screw is flush with the edge of the sledge



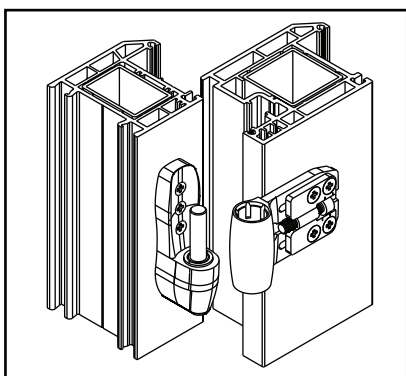
- 5** Fix flag to sash. Use 25mm screws into the cover leg



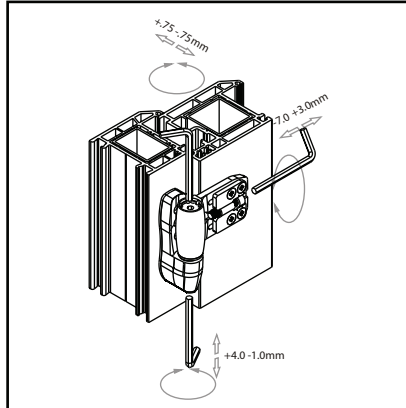
- 6** Press compression bush into body with alignment mark facing away from the sash



- 7** Fit sash to frame and fix cover with the screws (included)



- 8** Adjust sash as necessary



- 9** Fit cover and caps

