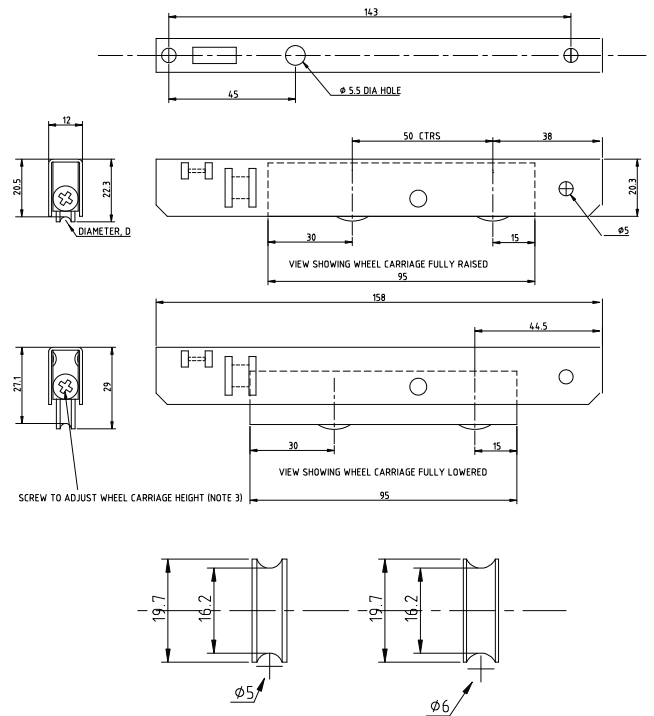


## Slimline Door Rollers



### Features

- Specially designed to fit all standard eurogrooves
- Easy installation with rollers to suit all 5 and 6mm diameter tracks
- Easy access end adjustment screw. Maximum 7mm height adjustment. Wheel height adjustable after installation
- Tandem wheels to spread the load
- High degree of corrosion resistance for long life
- Endurance tested over 10,000 cycles of operation
- Weight capacity of 60kg per unit
- Two screws into the bottom of the eurogroove (4.8mm self tapping pan head)



Not to scale. All dimensions are in mm and are nominal. ERA reserves the right to change specification without notice. It is the responsibility of the door manufacturer to ensure that the finished product meets any required safety and performance specification.

### Ordering Details

#### Slimline Door Rollers

Product	Part No.
5mm Diameter Wheel	28471182A
6mm Diameter Wheel	28471183A

### Material Specification

Wheels: Stainless Steel 416 to BS970

### Packaging

Rollers  
100 rollers per box