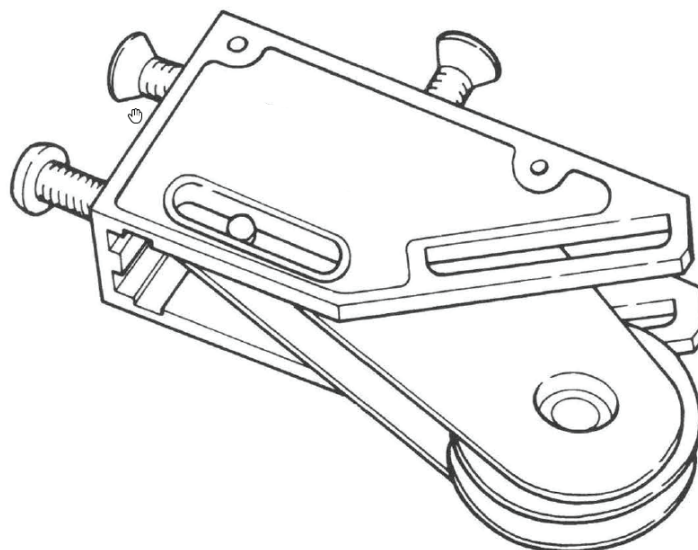


Multi-Fit Door Rollers



Features

- Specially designed to fit all major aluminium, PVCu and timber sliding patio door systems
- Easy wide range of height adjustment. Wheel height adjustable after installation
- Options of Stainless Steel, or Nylon Wheels to suit all applications
- High degree of corrosion resistance for long life
- Endurance tested over 7,000 cycles of operation
- Weight capacity of Steel Wheels 70kg per unit and Nylon Wheels 40kg per unit
- Optional fitments during roller manufacture to assist correct alignment in the bottom rail
- Fixing screws supplied to suit most applications. Use of top and back fixing screws ensures secure location into section (standard fixing screw - No.10 self tap top and back fixing)
- Double row bearing for increase stability and smooth rolling action

Multi-Fit Door Rollers

Ordering Details

Multi-Fit Door Rollers

Product	Part No.
Stainless Steel Wheels	28120100
Nylon Wheels	28120300

Technical Information

Operation

Function test to over 7,000 cycles

Recommended Screws

Standard fixing screw - No.10 self tap top and back fixing

Max Weight Capacity Per Unit

Steel Wheels 70kg per unit and Nylon Wheels 40kg per unit

Material Specification

Body:	Black - Glass Reinforced Nylon 6
Thrust Plate:	Stainless Steel 430517 to BS1449 PT 2
Carriage Side Plates:	Mild Steel to BS1449 Zinc Plated to Fe Zn 8-2C-BS1706: 1990 to BSI 706 and Case Hardened
Pivot Pin:	Mild Steel to BS970 Zinc Plated to Fe Zn 8-2C-BS1706: 1990
Rivets:	Brass CZ 108 to BS2873
Wheels:	Stainless Steel 416 to BS970 Black - Glass Reinforced Nylon 6
Bearings:	Carbon Steel Balls
Width Pins:	Carbon Spring Steel to BS1449
Screws:	Mild Steel to BS970 Electro Plated to BS3382

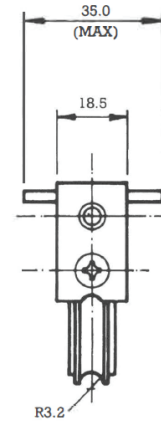
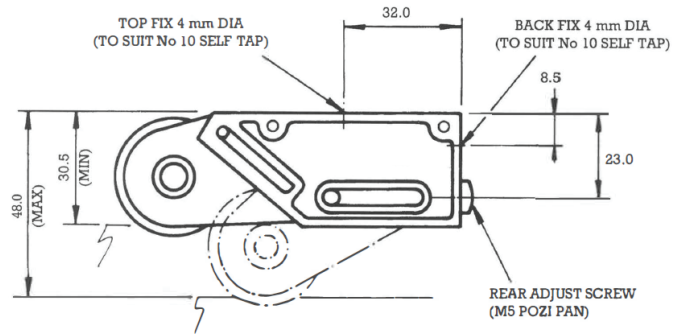
Packaging

Rollers

100 rollers per box

Maintenance

All moving parts should be lightly lubricated using a light non-acidic mineral oil (e.g. "3 in 1") twice per year and the surface cleaned with a soft damp cloth. The product may need to be adjusted and fixings tightened to ensure a satisfactory operation.



Not to scale. All dimensions are in mm and are nominal. ERA reserves the right to change specification without notice. It is the responsibility of the door manufacturer to ensure that the finished product meets any required safety and performance specification.