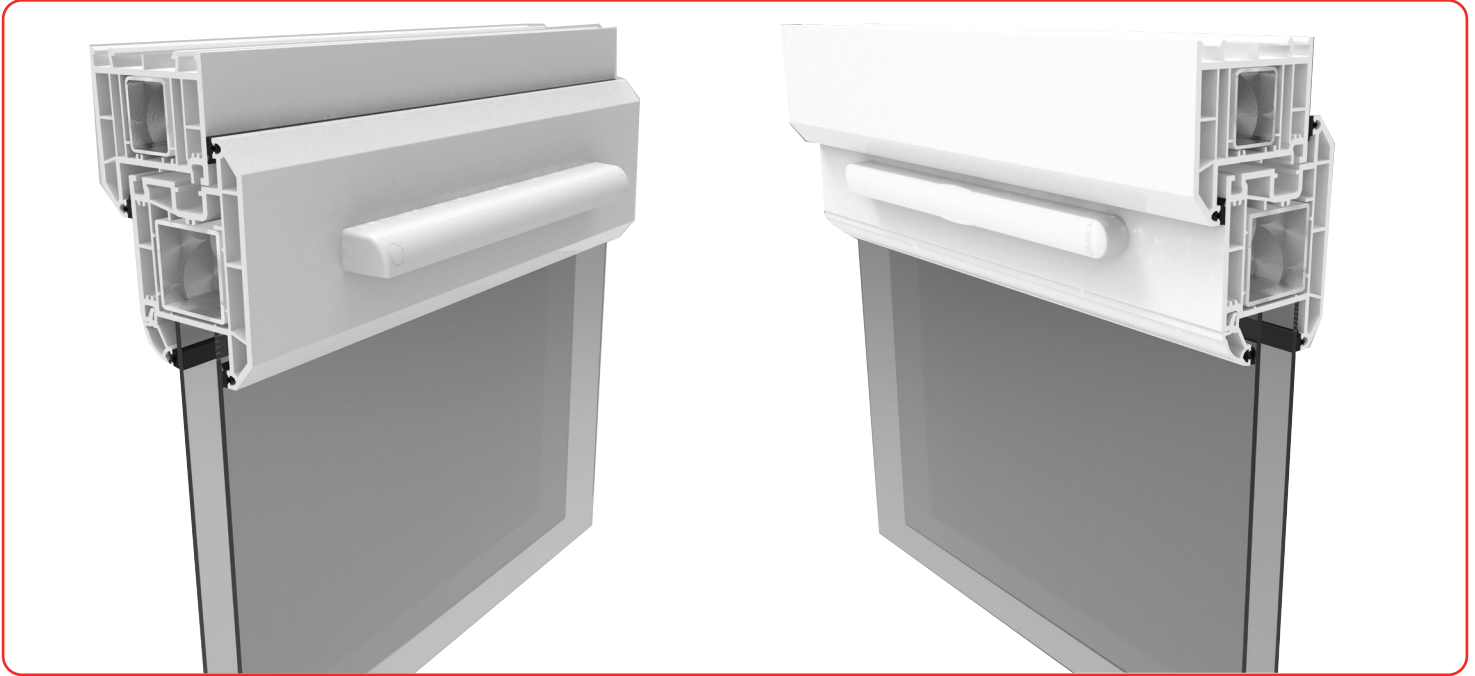
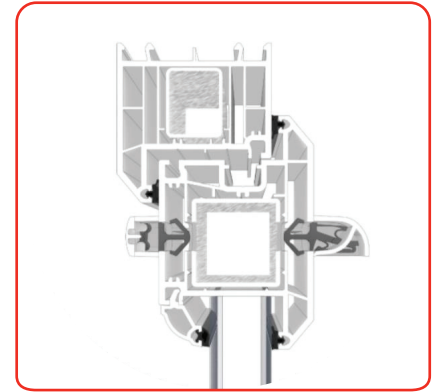


2500 Link Trickle Vent



Features

- Compact sleek design that sits discreetly within the window
- Canopy extends only 25mm
- Aerodynamic feature directs the air flow efficiently through the vents pathway
- Developed to meet the minimum requirements of the building regulations Part F1:2010 (updated December 2021, for implementation June 2022)
- Improved dB noise reduction to new levels of performance whilst retaining the aesthetically pleasing design
- Available in a range of colours to complement the window. Mix and match internally and external vents to accommodate potential different finishes
- Supplied with fixing clips fitted, so the vent easily pushes into place. Installing within seconds
- The clips automatically centre the vent in the rout, aiding location ensuring it is fitted level on the window
- Option to screw fix if preferred, remove the screw caps before fitting and fix as normal



Profile cross section

2500 Link Trickle Vent

Ordering Details

2500 Link Trickle Vent

Colour	Internal Vent	External Vent
White	WVELIWHCF2500	WVELEWHCF2500
Brown	WVELIBRCF2500	WVELEBRCF2500
Black	WVELIBLCF2500	WVELEBLCF2500
Grey (RAL 7016)	WVELIGRCF2500	WVELEGRCF2500
Agate Grey (RAL 7038)	WVELEGR7038CF2500	WVELIGR7038CF2500
Pebble Grey	WVELEPGCF2500	WVELIPGCF2500
Slate Grey (RAL 7015)	WVELEGR7015CF2500	WVELIGR7015CF2500
Quartz Grey (RAL 7039)	WVELEGR7039CF2500	-
Redwood	WVELIRWCF2500	WVELERWCF2500
Plain Golden Oak	WVELIOGCF2500	WVELEOGCF2500
Plain Irish Oak	WVELEIOCF2500	WVELIOCF2500
Chartwell Green	WVELECGCF2500	-
Light Cream (RAL 9001)	WVELECR9001CF2500	WVELICR9001CF2500

Woodgrain Finish	Internal Vent	External Vent
Golden Oak	WVELEPWGOCF2500	WVELIPWGOCF2500

Other colours available, please contact us for the latest range.

Technical Information

Equivalent area

Rout Height 10mm: 2000mm² EQA, Rout Height 13mm: 2500mm² EQA

Acoustic D n,e,w (+/-) - vent open

Rout Height 10mm: 35* (-1;1), Rout Height 13mm: 34* (-1;1)

Acoustic D n,e,w (+/-) - vent closed

Rout Height 10mm: 40* (0;0), Rout Height 13mm: 46* (-1;-1)

Air leakage

0.39 m³/h 0.11 L/s

Watertightness

Tested to BS EN 13141-1 – 2500 vent – Resistant to water penetration using method 1A meeting Class 9A requirement up to and at 600pa in BS EN 12208 - 13mm (900pa on a 10mm rout).

dB rating

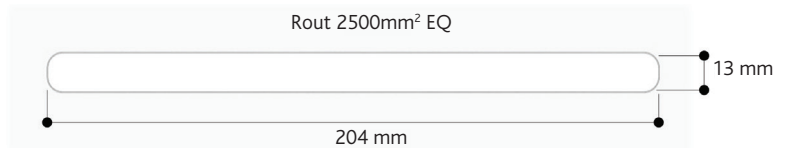
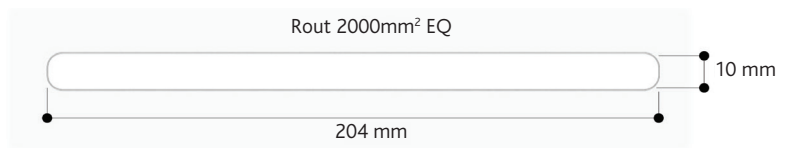
Airborne sound insulation to BS EN ISO 10140-1:2016 (Earlier standards are withdrawn) and BS EN ISO 10140-2. Test date 09/12/2022 by Building Research Establishment Ltd (BRE).

Packaging

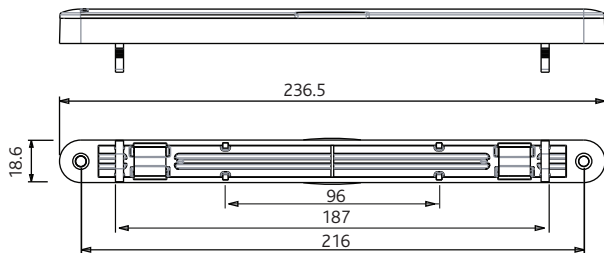
2500 Trickle Vent

Internal and external vents sold separately. 100 per box.

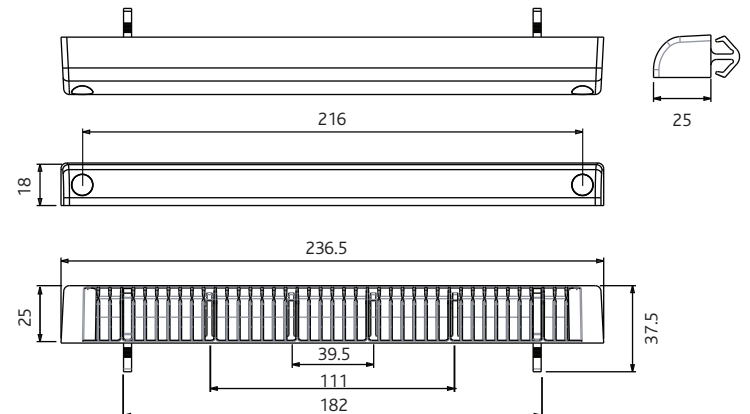
All dimensions are in mm. We reserve the right to change specification without notice. It is the responsibility of the window manufacturer and installer to ensure that the finished product meets any required building, safety and performance regulations.



Internal Vent



External Vent



Internal				External								Ventilator			
Ventilator				Canopy				Grille (Timber, Sliding door, Sash)				Attachment type	Rout H (mm)	Rout L (mm)	Stand W (mm)
H (mm)	L (mm)	D (mm)	Weight (gram)	H (mm)	L (mm)	D (mm)	Weight (gram)	H (mm)	L (mm)	D (mm)	Weight (gram)				
18.5	236.5	15	30	18.5	236.5	25	30	26	236.5	2.5	11	Clip or Screw	13 or 10	1x204	na