

## Contour Lever on Linear Rose



### Features

- **Stylish Contour lever on rose**  
Quick and easy installation task
- **Product dimensions**  
Lever length: 128mm, Projection: 60mm, Rose diameter: 50x11mm
- **Suitable for timber doors, in domestic use only**  
Will meet requirements for many homes
- **Modern finish with a Polished Nickel Rose & Neck and Brushed Nickel Grip**
- **Supplied as a pair, complete with fixing kit**  
Includes bolt-through and wood screws, Allen key, grub screw and 8mm spindle
- **Sprung handle design – returns to original position when released**  
Ergonomically sound for user
- **50mm screw-on round rose**  
Conceals fixings for modern aesthetic
- **Tested to 100,000 cycles**  
Comes with 10 year mechanical guarantee
- **Low maintenance finish**  
Limited upkeep – low effort but high performing product



Polished Nickel Rose & Neck, Brushed Nickel Grip

## Contour Lever on Linear Rose

### Ordering Details

#### Product

Contour Lever on Linear Rose

#### Finish

Polished Nickel Rose & Neck, Brushed Nickel Grip

#### Part No.

DHAINBNCLLR

### Technical Information

#### Corrosion resistance

Tested in accordance with BS EN 1670:2007; Grade 2 corrosion – 48 hours corrosion resistance

#### Operation

Endurance tested in excess of 100,000 cycles

#### Performance

Tested in accordance with BS EN 1906:2012; Grade 6

### Material Specification

Lever Handle and Rose: Aluminium lever for enhanced durability and corrosion resistance  
High quality zinc rose for additional strength

Finish: Brushed Nickel, Polished Nickel

Screws: Supplied with two male/female bolt through fixings suitable for 34-44mm thick doors. Also supplied with four wood screws

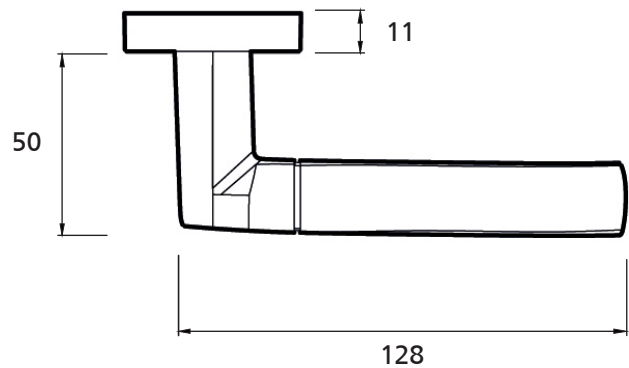
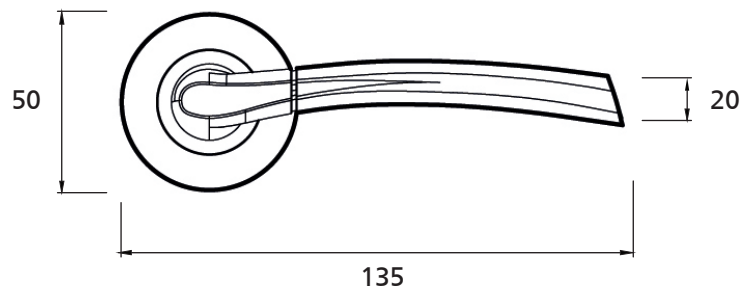
### Maintenance

Wipe the handle periodically with a soft cloth to remove excess grease or moisture.

### Packaging

#### Handles

Individually bagged with screws, bolt through fixing and fitting instructions. 20 handles in an outer box.



All dimensions are in mm and are nominal.  
ERA reserves the right to change specification without notice.  
It is the responsibility of the door manufacturer to ensure that the finished product meets any required safety and performance specification.