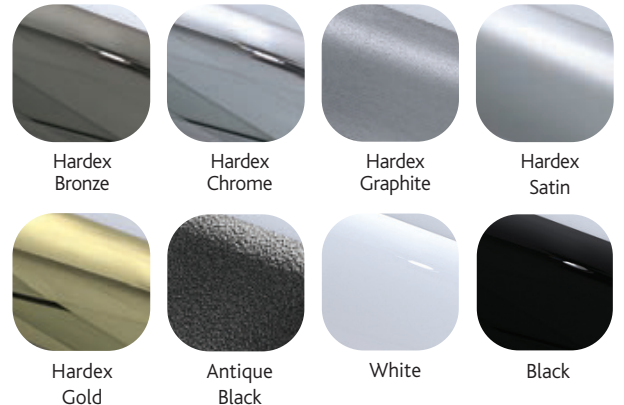


## Berwick TS 007 2 Star Security Lever



### Features

- High security door handle compatible with all Euro profile cylinders**  
 Achieve PAS 24 with a standard anti-bump cylinder (no need for an anti-snap cylinder)
- Independently tested in accordance with TS 007-1:2014+A2 Corr 2 (TS007 2\*) and to EN 1906:2012**  
 Easily retrofitted to upgrade security on existing doors. Preparation details are the same as for the Balmoral door handle, ideal as an interchangeable upgrade
- Expertly designed**  
 Sculptured backplate discourages any unwanted attention from mole grips, the shape makes gripping the backplate difficult and removal of the external handle impossible
- Solid forged aluminium strengthening plate**  
 Acts as a cylinder guard, preventing an attack on the cylinder and the removal of the handle from the door
- Visible 2\* TS 007 Kitemark**  
 Clearly indicates the handles performance and acts as key visual deterrent to prevent any unwanted interest
- Fully sprung solid handle**  
 Sturdy feel that gives a consistent 90-degree lever return. The ergonomic lever and low friction Polymer bush is easy to grip and provides a smooth operating action
- 44mm and 70mm version available to suit varying door thickness**  
 Suitable for a wide range of PVCu profiles and composite door slabs
- Tested to the latest version of PAS 24:2012**  
 Surpasses the latest security tests for high security door furniture on a new door set (with appropriate 1\* anti-bump cylinder).
- High tensile M6 screws with colour coordinated screw heads**  
 Secure fixing that perfectly matching hardware, even down to the smallest detail



### Classification

The ERA 2 Star high security Berwick door handle carries the DHF TS 007-1:2014+A2 Corr 2 and EN 1906:2012.

#### Classification:

Category Of Use	1
Durability	6
Door Mass	-
Fire Resistance	-
Safety	-
Corrosion	3
Security	-
Type of Operation	-

### Berwick TS 007 2 Star Security Lever

#### Ordering Details

#### Product

**Berwick Inline Lever**

Finish	Part No.	
	44mm	70mm
Hardex Chrome	DHABEHCIL44	DHABEHCIL70
Hardex Gold	DHABEHGIL44	DHABEHGIL70
Hardex Graphite	DHABEGRIL44	DHABEGRIL70
Hardex Satin	-	DHABESAIL70
Hardex Bronze	-	DHABEBIL70
Antique Black	DHABEABIL44	-
White	DHABEWHIL44	DHABEWHIL70
Black	DHABEBKIL44	DHABEBKIL70

#### Technical Information

##### Corrosion resistance

Meets the requirements of BS EN 1670:2007 Grade 5 (480 hours)

##### Operation

Endurance tested in excess of 100,000 cycles

##### Performance

Independently tested to meet the requirements of EN 1906:2012 and accredited to TS 007-1:2014+A2 Corr 2 2\*. Designed to meet the requirements of PAS 24 in a compliant door set.

#### Material Specification

Handle Grip and Backplate:	High quality Zinc for all finishes. Forged aluminium baseplate.
Coatings:	Hardex Chrome, Hardex Satin, Hardex Gold, Hardex Graphite, Hardex Bronze, Antique Black, White and Black.
Spindle / Screws:	Machine screws with colour coordinated heads for handle. 44 mm version (1 x 8 x 110mm spindle; 2 x M6 x 60mm screws. 70mm version (1 x 8mm x 120mm spindle; 2 x M6 x 73mm screws)
Cylinder:	Euro Cylinder, 92mm PZ

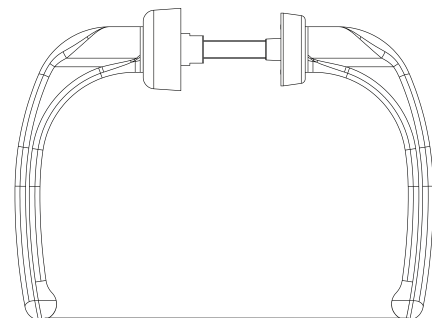
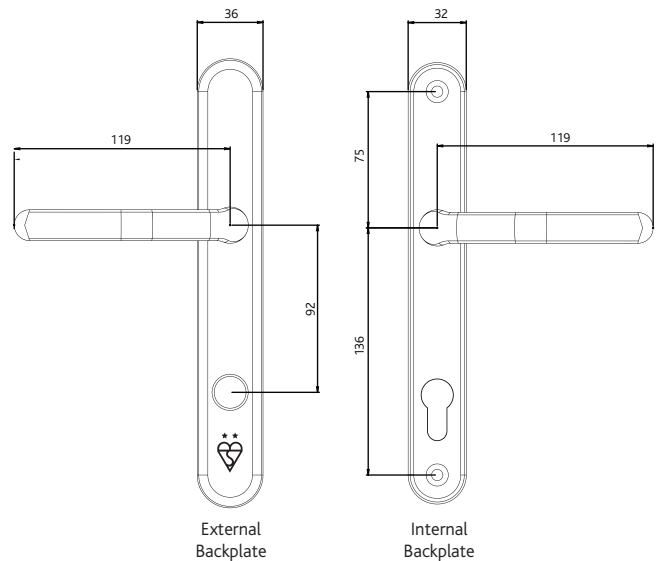
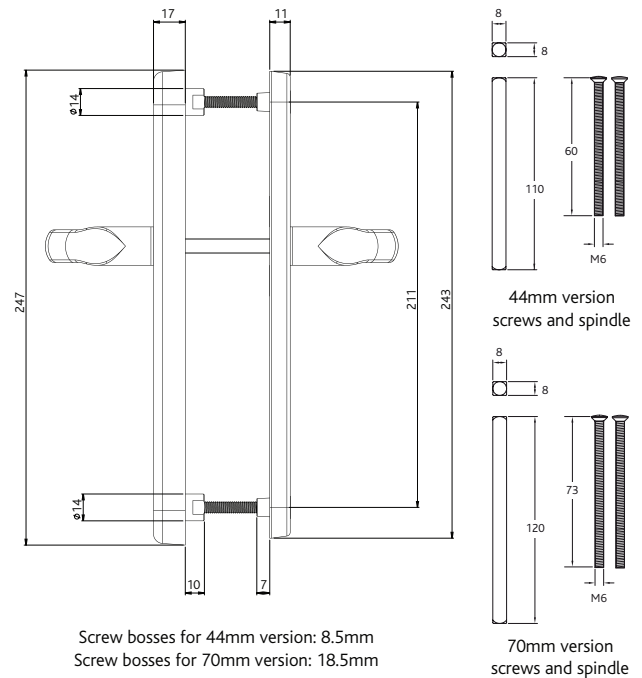
#### Maintenance

For continued protection of the quality finish and appearance, we advise routine cleaning of all our external hardware. We recommend wiping it with a clean cloth soaked in warm water and mild detergent every month. Please refrain from using heavy-duty cleaners, containing Chlorine or Potassium. Moving parts should also be lightly lubricated using a light non-acidic mineral oil (e.g., "3 in 1") at least twice per year. The product may need to be adjusted and fixings tightened to ensure a satisfactory operation. This procedure is particularly essential if products are used within a 25-mile radius of coastal areas or close proximity to building sites or large industrial areas, where more frequent cleaning may be required to prevent the accumulation of corrosive contaminants.

#### Packaging

##### Handles

Individually boxed with screws, spindle and care instructions. 8 handles in an outer box.



All dimensions are in mm and are nominal. Fab&Fix reserves the right to change specification without notice. It is the responsibility of the door manufacturer to ensure that the finished product meets any required safety and performance specification.