

Monkey Tail Key Locking Window Handle

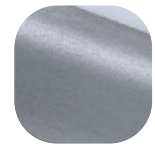


Features

- **Elegant design inspired by 19th century ironmongery**
Creating traditional period charm
- **Fully suited to our Heritage range**
Perfectly match window and doors across the home
- **Strength tested to equivalent of a modern espagnolette window handle**
Stronger espagnolette operator
- **Manufactured from die-cast zinc with specially formulated finish**
Harder wearing finish than traditional wrought iron furniture
- **Slim handle design**
Suites the narrow sightlines on modern flush style casement windows
- **Key locking**
Security enabled
- **Positive stop**
Ideal for new flush window styles, the handle has a positive stop to latch automatically on closing, for added peace of mind
- **Matching Monkey Tail Dummy and Operating Stay also available**
Creating perfectly matching heritage window
- **Available in 30mm, 40mm, 45mm and 55mm spindle lengths**
Including screw lengths 36mm, 46mm, 51mm or 61mm respectively



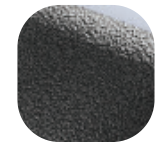
Hardex
Chrome



Hardex
Graphite



Hardex
Gold



Antique
Black

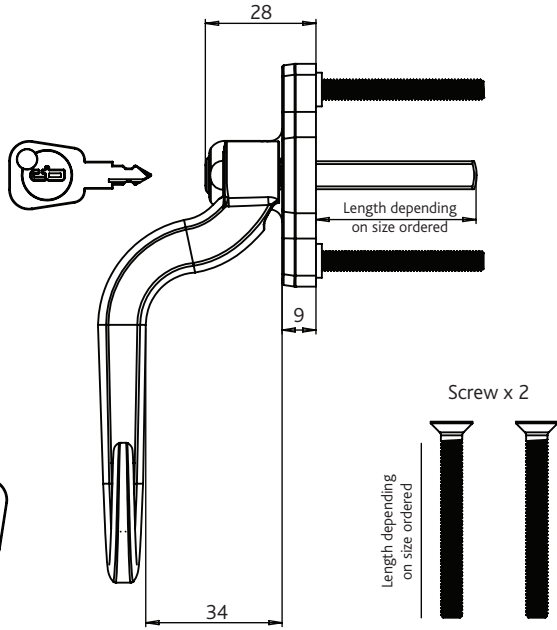
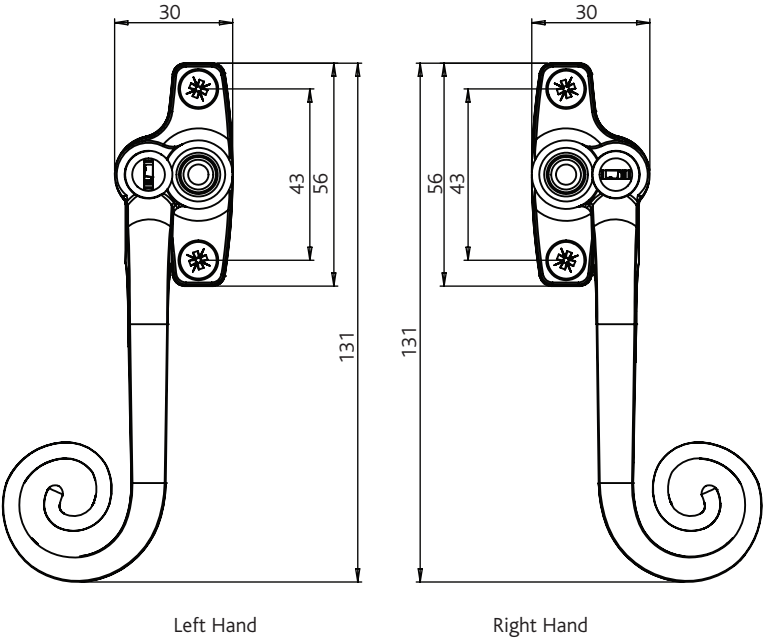


Monkey Tail Key Locking Window Handle

Ordering Details		
Product		
Monkey Tail Key Locking Window Handle		
Finish	Part No.	
30mm Spindle	Left Hand	Right Hand
Hardex Chrome	WHAMTHCLH30	WHAMTHCRH30
Hardex Gold	WHAMTHGLH30	WHAMTHGRH30
Hardex Graphite	WHAMTGRLH30	WHAMTGRRH30
Antique Black	WHAMTABLH30	WHAMTABRH30
40mm Spindle	Left Hand	Right Hand
Hardex Chrome	WHAMTHCLH40	WHAMTHCRH40
Hardex Gold	WHAMTHGLH40	WHAMTHGRH40
Hardex Graphite	WHAMTGRLH40	WHAMTGRRH40
Antique Black	WHAMTABLH40	WHAMTABRH40
45mm Spindle	Left Hand	Right Hand
Hardex Chrome	WHAMTHCLH45	WHAMTHCRH45
Hardex Gold	WHAMTHGLH45	WHAMTHGRH45
Hardex Graphite	WHAMTGRLH45	WHAMTGRRH45
Antique Black	WHAMTABLH45	WHAMTABRH45
55mm Spindle	Left Hand	Right Hand
Hardex Chrome	WHAMTHCLH55	WHAMTHCRH55
Hardex Gold	WHAMTHGLH55	WHAMTHGRH55
Hardex Graphite	WHAMTGRLH55	WHAMTGRRH55
Antique Black	WHAMTABLH55	WHAMTABRH55

Technical Information	
Corrosion resistance	Meets the requirements of BS EN 1670: 2007 Grade 5 (480 hours)
Operation	Tested to 25,000 cycles
Material Specification	
Handle:	High quality Zinc for all finishes
Coatings:	Hardex Chrome, Hardex Graphite, Hardex Gold and Antique Black

Maintenance
For continued protection of the quality finish and appearance, we advise routine cleaning of all our external hardware. We recommend wiping it with a clean cloth soaked in warm water and mild detergent every month. Please refrain from using heavy-duty cleaners, containing Chlorine or Potassium. Moving parts should also be lightly lubricated using a light non-acidic mineral oil (e.g., "3 in 1") at least twice per year. The product may need to be adjusted and fixings tightened to ensure a satisfactory operation. This procedure is particularly essential if products are used within a 25-mile radius of coastal areas or close proximity to building sites or large industrial areas, where more frequent cleaning may be required to prevent the accumulation of corrosive contaminants.



All dimensions are in mm and are nominal. Fab&Fix reserves the right to change specification without notice. It is the responsibility of the window manufacturer to ensure that the finished product meets any required safety and performance specification.

Packaging
Handles Individually bagged with screws and care instructions. 40 handles in an outer box.