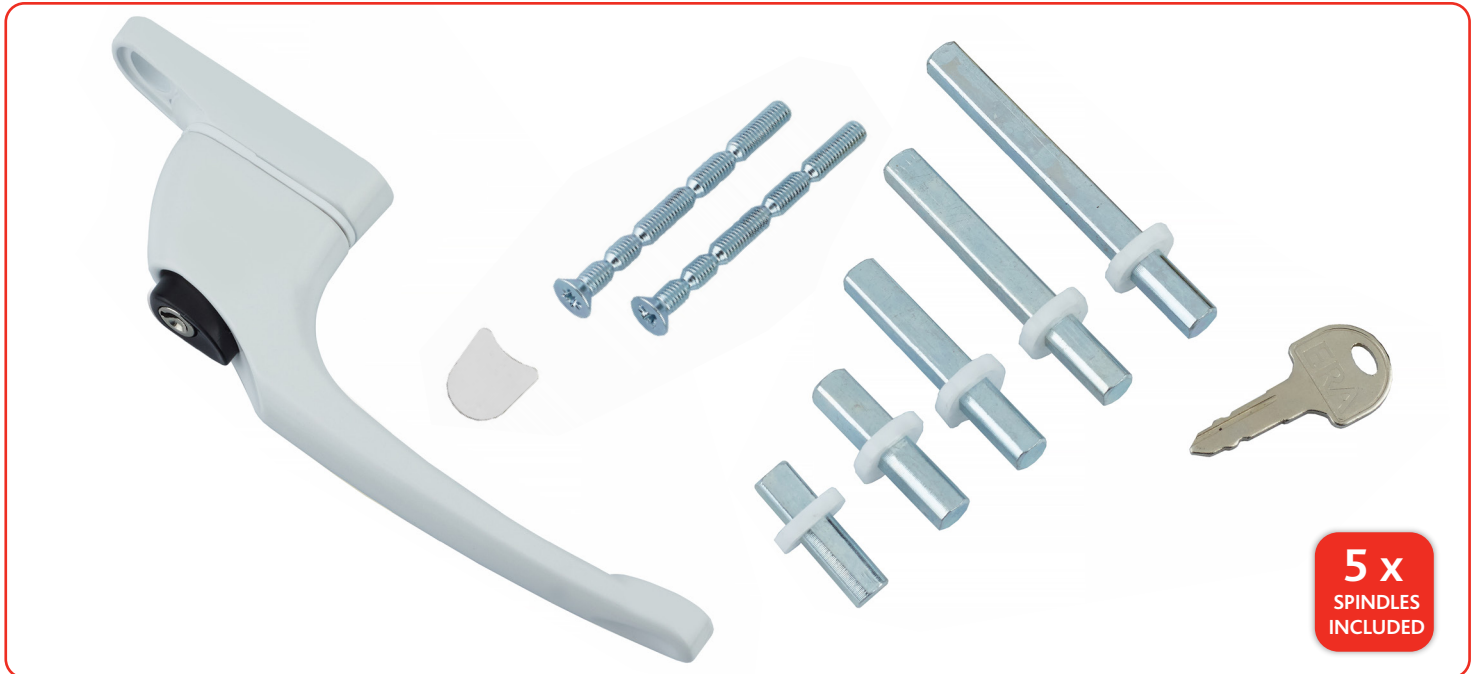


### Universal Maxim Inline Window Handle



**5 x**  
SPINDLES  
INCLUDED

### Features

- Modern stylish universal espagnolette handle
- 5 spindle lengths supplied to suit most casement window: 9mm, 15mm, 30mm, 43mm and 55mm
- Firm ergonomic design grip
- Distinctive 'teardrop' feature and recessed button
- Large button for ease of operation
- Locks automatically on closing - deadlocked for enhanced security
- Key locking handle
- Optional inserts to convert locking handles to non-locking
- Inline design
- Available in White, Polished Gold and Polished Chrome



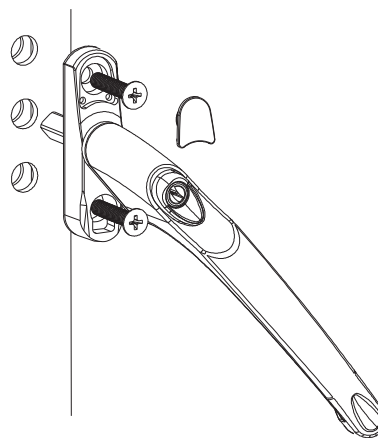
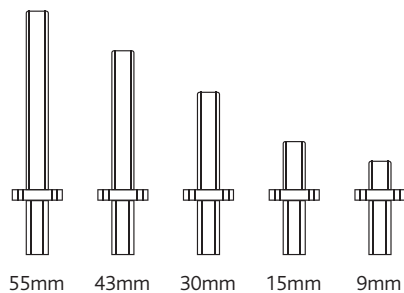
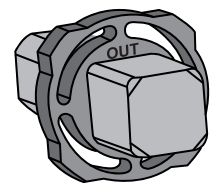
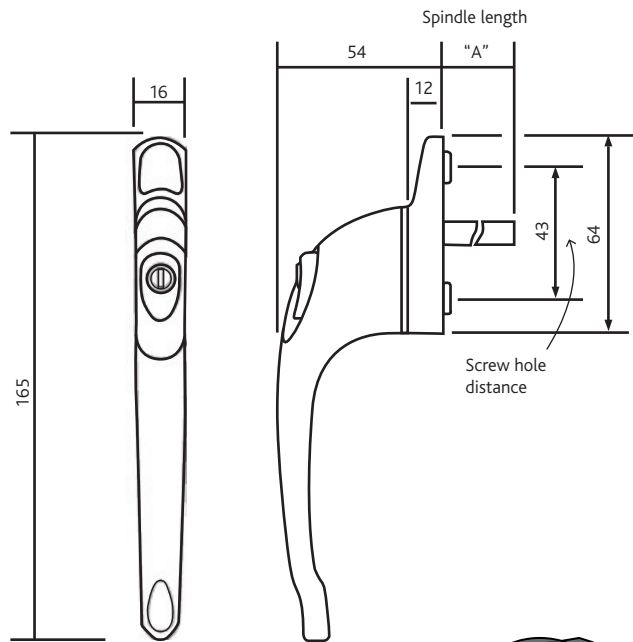
## Universal Maxim Inline Window Handle

Ordering Details	
<b>Universal Maxim Inline</b>	
Finish	Part No.
White	WHAUMWHILPP
Polished Gold	WHAUMGOILPP
Polished Chrome	WHAUMCHILPP
<b>Included Spindle Options ('A')</b>	
9mm, 15mm, 30mm, 43mm and 55mm.	
Accessories	
Description	Part No.
Key	WAKENK5877
Screw Cover (White)	WACCWH6021
Screw Cover (Gold)	WACCPG6030
Screw Cover (Silver)	WACCSA6030

Technical Information	
<b>Corrosion resistance</b> Meets the requirements of BS EN 1670:2007 Grade 3 (96 hours)	
<b>Performance</b> Endurance tested in excess of 50,000 cycles	
Material Specification	
Handle Grip & Back Plate:	Zinc Alloy Castings to BS EN 12844:1999 Aluminium Alloy to BS EN 1676:1997
Coatings:	White Powder Paint Polished Gold and Chrome electroplated to BS EN12540:2000
Cylinder:	Zinc Alloy Casting and Nickel Plate
Button:	Acetal (POM) Black
Screw Cover:	Push to fit White elastomer Self adhesive Gold or Silver anodised aluminium

Packaging
Individually packaged and includes: window handle key, 5 x spindle lengths (9mm, 15mm, 30mm, 43mm and 55mm), screws and screw cover caps. 1 handle per bag, 10 bagged handles per box.

Caution
This handle is supplied with a selection of spindle sizes to allow you to choose the most suitable size to replace a current handle. Check that the dimension between the screw holes mirrors the current handle to ensure a correct fit. Measure the length of the spindle on the current handle to ensure you select the correct size from the bag. Once you have the correct size, look for the word <b>OUT</b> stamped on the plug, this needs to be facing you when inserting into the handle centre square hole.
<b>NOTE:</b> Around 20mm of the spindle, including the plastic insert plug, will be concealed once inserted into the back of the handle. It is important you include this in your measurement.



All dimensions are in mm. ERA reserves the right to change specification without notice. It is the responsibility of the window manufacturer to ensure that the finished product meets any required safety and performance specification

Maintenance
All handles should be lightly lubricated twice a year and the surface cleaned with a soft damp cloth to remove any dust or grime, taking care not to scratch the surface finish.