

TS 003 Door Chain and Door Restrictor



TS 003 Timber/PVCu Door Chain

TS 003 Door Restrictor



Features

- A choice of TS 003 certified solutions for additional door security, designed to limit the initial opening of the door for safety. Independently tested to conform to the latest industry standards, to ensure the door is protected against extreme and repeated force or abuse. In abuse mode, the heavy-duty door chain and door restrictor, exceed breaking forces of 100N
- Offers visible security when the door is opened and peace of mind that the occupier can safely open their door for an initial conversation, without giving unwanted access. Identification can be checked and authenticated, with either device securely in place, before allowing entry. Ideal to prevent distraction burglary and other forms of unwanted forced entry at the doorstep

Door Chain

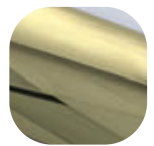
- Offers visible security, allowing conversation without giving unwanted access to visitors
- Suitable for fitting to new or existing; timber, solid core composite or PVCu doors. Available in the patented Fab&Fix Hardex Gold, Hardex Chrome and Hardex Bronze.

Door Restrictor

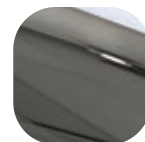
- Designed to limit door opening prior to allowing entrance to visitors
- Easily applied and released when door is closed. Suitable for the elderly or vulnerable in society that may have movement issues, that prevent them using a standard door chain
- Suitable for fitting to new or existing timber doors. Available in the patented Fab&Fix Hardex Gold, Hardex Chrome and Hardex Graphite.



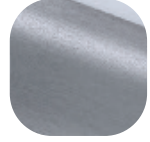
Hardex Chrome



Hardex Gold



Hardex Bronze



Hardex Graphite

TS 003 Door Chain and Door Restrictor

Ordering Details

Product	Part No.
---------	----------

Heavy Duty Timber/ PVCu Door Chain

Hardex Chrome	DACHTSHC
Hardex Gold	DACHTSHG
Hardex Bronze	DACHTSHB

Heavy Duty Door Restrictor

Hardex Chrome	DACDRTSHC
Hardex Gold	DACDRTSHG
Hardex Graphite	DACDRTSGR

Technical Information and Certification

Corrosion resistance

Meets the requirements of BS EN 1670 Grade 3 (96 hours)

TS 003 Standard

BS 8213-1:2004

PAS 24:2012

Requirements:

Door opening impacts (abuse mode) - The product and its fixings shall resist 200 door opening impacts when subjected to an opening force of 100 N.

Door opening impacts (attack mode) - The product and its fixings shall be subjected to 3 impacts, after which the door opening shall not exceed 25mm at the point of disengagement or 76mm "on guard" position.

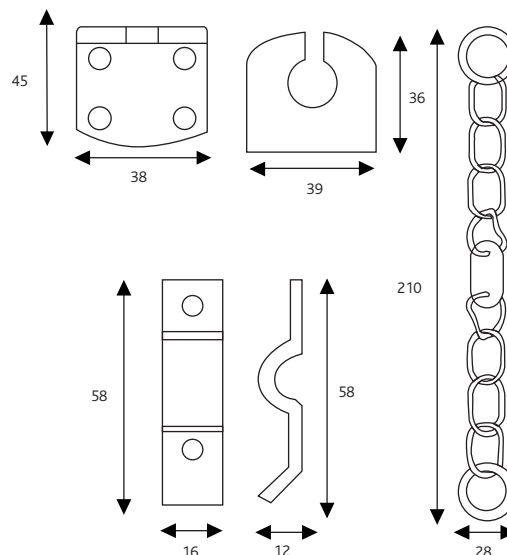
Material Specification

Door Chain:	Carbon structural steel (Q235)
Door Chain Keep:	Stainless steel
Door Restrictor:	Zinc ZL3
Coatings:	Hardex Chrome, Hardex Bronze, Hardex Gold and Hardex Graphite.
Door Chain Screws:	M4 2 x 32 Tapping Screws
Door Restrictor Screws:	3.5 x 26 Countersunk Oval Screw

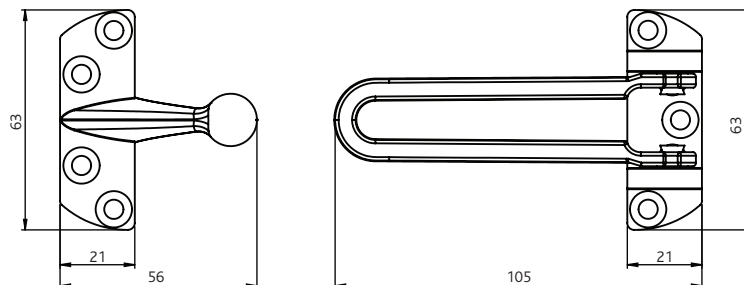
Maintenance

For continued protection of the quality finish and appearance, we advise routine cleaning of all our external hardware. We recommend wiping it with a clean cloth soaked in warm water and mild detergent every month. Please refrain from using heavy-duty cleaners, containing Chlorine or Potassium. Moving parts should also be lightly lubricated using a light non-acidic mineral oil (e.g., "3 in 1") at least twice per year. The product may need to be adjusted and fixings tightened to ensure a satisfactory operation. This procedure is particularly essential if products are used within a 25-mile radius of coastal areas or close proximity to building sites or large industrial areas, where more frequent cleaning may be required to prevent the accumulation of corrosive contaminants.

TS 003 Door Chain



TS 003 Door Restrictor



All dimensions are in mm.

ERA reserves the right to change specification without notice. It is the responsibility of the window manufacturer to ensure that the finished product meets any required safety and performance specification.

Packaging

Door Chains:

10 per box.

Door Restrictor:

10 per box.