

### Standard Euro Cylinder Pull and Internal Pull



### Features

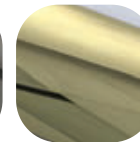
- **Stylish standard euro external cylinder pull and internal pull**  
For use with a Euro profile cylinder
- **Provides an easy method of closing the door upon exit**  
Ergonomically designed finger pull for ease of operation
- **Cylinder pull slides easily onto the fixing plate**  
Finishes the door internally and externally, with grub screw fixings
- **All parts for a door included within one package**  
Supplied as a pair external cylinder pull and internal pull boxed together with screws for 42-48mm doors
- **Designed for Composite, Timber and PVCu doors**  
To suit all door materials
- **Available in the complete range of Hardex finishes**  
Perfectly matching to the full Fab&Fix range of products
- **Through fixing**  
Easily retro-fittable and suitable for all locking mechanisms. Screw centres perfectly align with key wind up, Heritage and Slam Shut door locking systems
- **Secure fixing lug**  
Prevents removal of external pull from the door



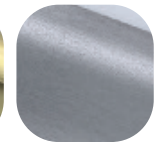
Hardex  
Chrome



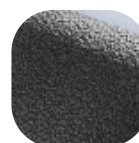
Hardex  
Bronze



Hardex  
Gold



Hardex  
Graphite



Antique  
Black



White



Black



Hardex  
Rose

### Standard Euro Cylinder Pull and Internal Pull

#### Ordering Details

#### Product

Standard Euro Cylinder Pull and Internal Pull

**Finish** **Part No.**  
42-48mm doors

Hardex Chrome	4F702
Hardex Bronze	4F703
Hardex Gold	4F704
Hardex Graphite	4F705
Hardex Rose	DFNESPPHR
Antique Black	4F706
White	4F700
Black	4F701

#### Technical Information

##### Corrosion resistance

Meets the requirements of BS EN 1670:2007 Grade 5 (480 hours)

#### Material Specification

Cylinder Pull:	High quality Zinc
Coatings:	Hardex Chrome, Hardex Bronze, Hardex Gold, Hardex Graphite, Hardex Rose, Antique Black, Black and White

#### Maintenance

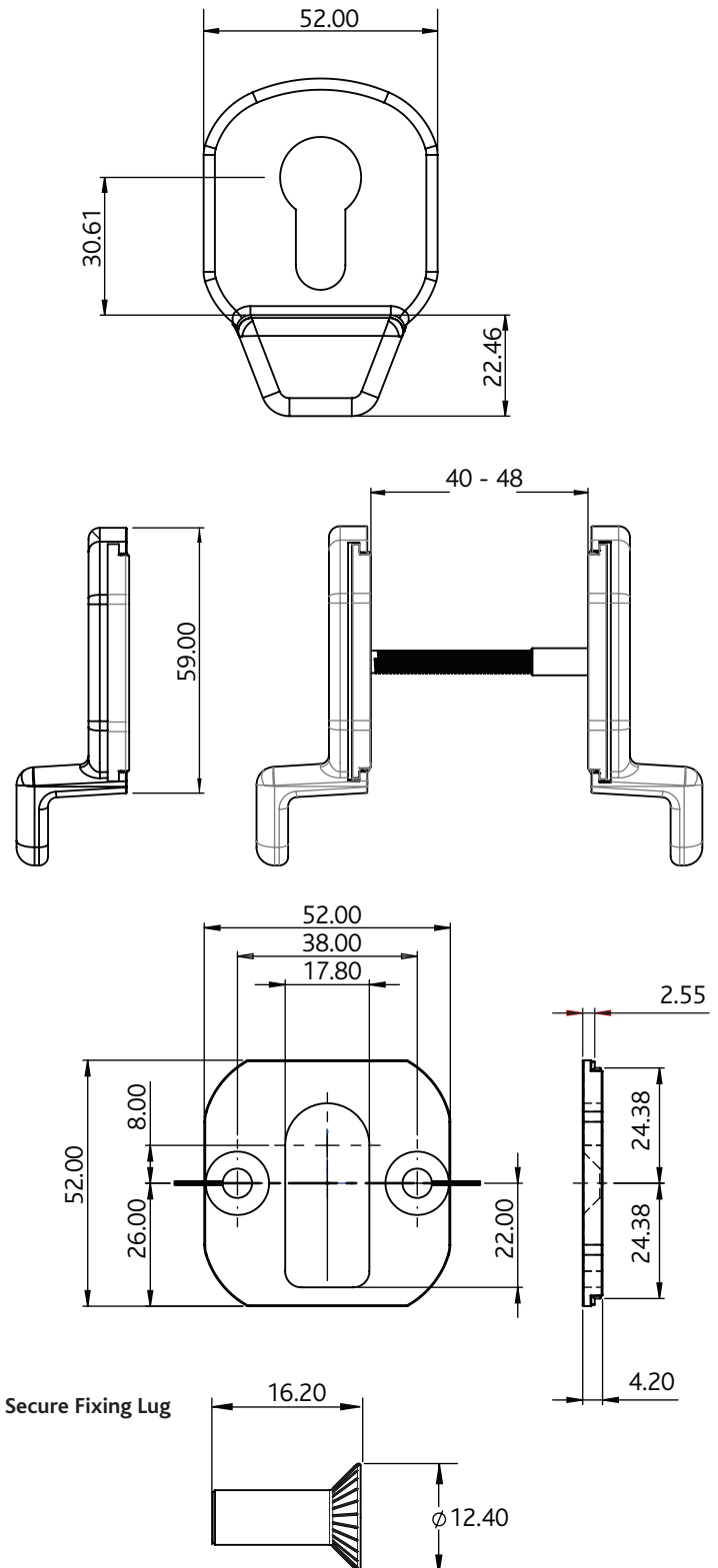
All moving parts should be lightly lubricated using a light non-acidic mineral oil (e.g. "3 in 1") twice per year and the surface cleaned with a soft damp cloth. The product may need to be adjusted and fixings tightened to ensure a satisfactory operation.

#### Maintenance

For continued protection of the quality finish and appearance, we advise routine cleaning of all our external hardware. We recommend wiping it with a clean cloth soaked in warm water and mild detergent every month. Please refrain from using heavy-duty cleaners, containing Chlorine or Potassium. Moving parts should also be lightly lubricated using a light non-acidic mineral oil (e.g., "3 in 1") at least twice per year. The product may need to be adjusted and fixings tightened to ensure a satisfactory operation. This procedure is particularly essential if products are used within a 25-mile radius of coastal areas or close proximity to building sites or large industrial areas, where more frequent cleaning may be required to prevent the accumulation of corrosive contaminants.

#### Packaging

**Euro Cylinder Pull**  
Individually boxed with screws.  
20 per box.



All dimensions are in mm and are nominal.  
Fab&Fix reserves the right to change specification without notice.  
It is the responsibility of the door manufacturer to ensure that the finished product meets any required safety and performance specification.