

Pembroke Dummy Handle

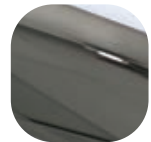


Features

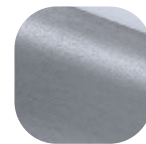
- **Solid die cast Zinc construction**
Heavyweight handles with sturdy feel
- **Sculpted ergonomic internal D ring handles**
Easy to grip, softly sculptured
- **Non handed design**
D ring handles can easily be reversed
- **Includes screw and spindle pack to suit 40-70mm profiles**
Everything needed for installation included
- **Colour coordinated screw heads**
Perfectly matching hardware, even down to the smallest details
- **Supplied with care instructions**
Helps the homeowner to keep the hardware in optimal condition
- **Each part packaged in a separate chamber, but supplied as a set**
No scratching of parts during transit



Hardex
Chrome



Hardex
Bronze



Hardex
Graphite



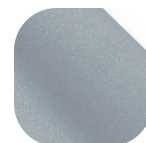
Hardex
Gold



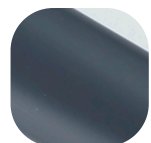
Black



White



Premium
Satin



Anthracite
Grey

Pembroke Dummy Handle

Ordering Details

Product

Pembroke Dummy Handle

Finish	Part No.
Hardex Chrome	1M070
Hardex Bronze	1M080
Hardex Gold	1M071
Hardex Graphite	1M072
Anthracite Grey	1M105
White	1M069
Black	1M077
Premium Satin	DHAPEPSDY

Technical Information

Corrosion resistance

Meets the requirements of BS EN 1670:2007 Grade 5 (480 hours)

Material Specification

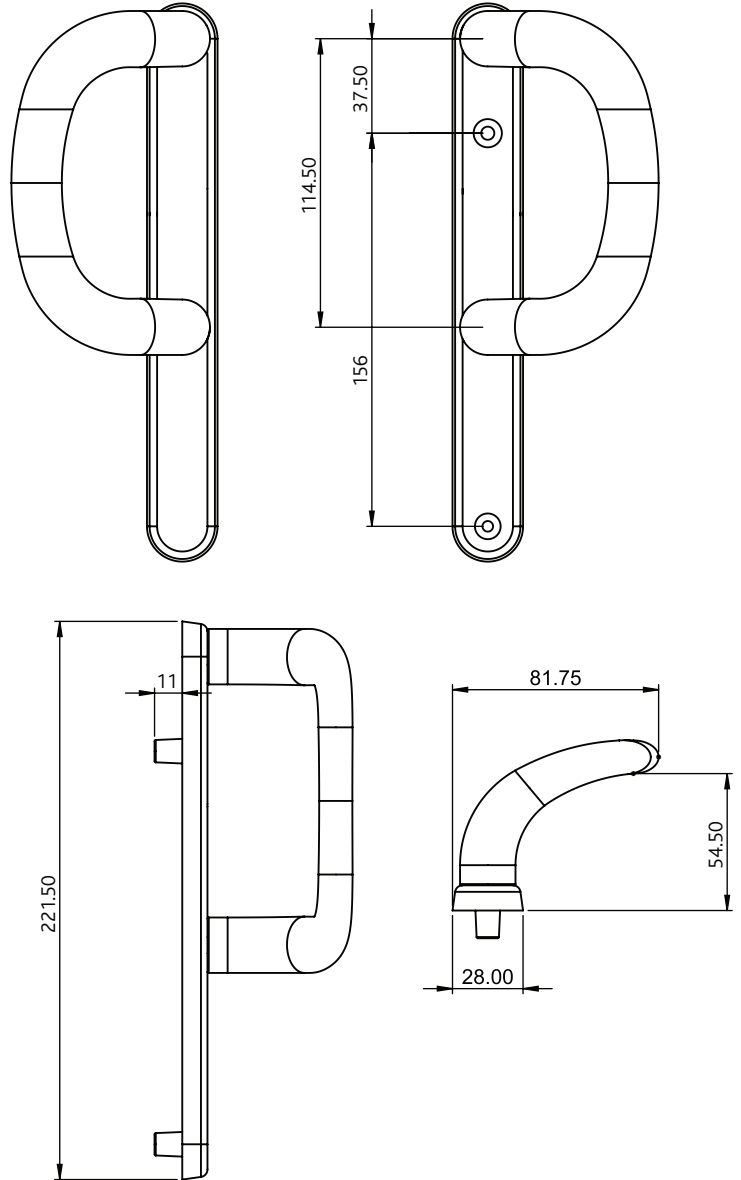
Handle Grip and Backplate:	High quality Zinc for all Hardex finishes and Antique Black. High quality Zinc/Aluminium for White, Black, Anthracite Grey and Premium Satin finishes.
Coatings:	Hardex Chrome, Hardex Bronze, Hardex Gold, Hardex Graphite, Anthracite Grey, Premium Satin, White and Black.
Spindle / Screws:	Machine screws with colour coordinated heads for handle. 40mm - 70mm profiles (1 x 7mm x 75mm spindle, 1 x 7mm x 85mm spindle, 1 x 7mm x 95mm spindle; 2 x M5 x 58mm screws, 2x M5 x 70mm screws and 2 x M5 x 80mm screws)

Maintenance

For continued protection of the quality finish and appearance, we advise routine cleaning of all our external hardware. We recommend wiping it with a clean cloth soaked in warm water and mild detergent every month. Please refrain from using heavy-duty cleaners, containing Chlorine or Potassium. Moving parts should also be lightly lubricated using a light non-acidic mineral oil (e.g., "3 in 1") at least twice per year. The product may need to be adjusted and fixings tightened to ensure a satisfactory operation. This procedure is particularly essential if products are used within a 25-mile radius of coastal areas or close proximity to building sites or large industrial areas, where more frequent cleaning may be required to prevent the accumulation of corrosive contaminants.

Packaging

Handles
Individually bagged with screws, spindle and care instructions.
8 handles in an outer box.



Please note all handles are supplied right handed (as pictured above), viewed from outside. Handles are easily re-handed as required.

All dimensions are in mm and are nominal.
Fab&Fix reserves the right to change specification without notice.
It is the responsibility of the door manufacturer to ensure that the finished product meets any required safety and performance specification.