

### 304 Stainless Steel Bar Handles



Offset Bar Handle



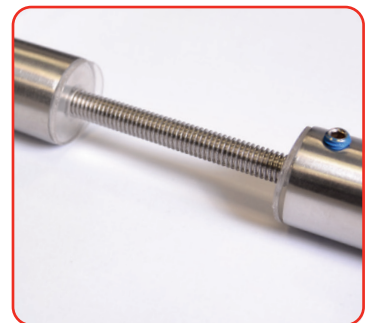
Inline Bar Handle



Bow Handle



Single fix



Back to back fix

## Features

- **Brushed stainless steel bar handles**  
For a stunning entrance door with contemporary styling
- **Austenitic grade 304 stainless steel construction**  
Excellent corrosion resistance
- **Meticulously produced quality product**  
For a high quality finish with precision joints for a lasting finish
- **Inline, Offset and Bow style options with a choice of fixings**  
Available as single fix or back to back fix with relevant fixings included in the box for ease of ordering
- **Fixings to suit Timber, Composite, Aluminium and PVCu**  
No cutting of screws for faster, more efficient installation. Fixings for PVCu available to order
- **A choice of screw packs available**  
Provides a safe and secure fixing
- **Complementary brushed escutcheon available to suit Euro Profile cylinders**  
Compatible with all Euro Profile cylinders and key wind up locks

## 304 Stainless Steel Bar Handles

### Ordering Details

Size	No. of Fixings	Offset	Inline
<b>Round Bar Handles</b>			
400mm	2	DHBHOF400-304*	DHBHIN400-304*
600mm	2	DHBHOF600-304*	DHBHIN600-304*
800mm	2	DHBHOF800-304*	DHBHIN800-304*
1000mm	2	DHBHOF1000-304*	DHBHIN1000-304*
1200mm	2	DHBHOF1200-304*	DHBHIN1200-304*
1400mm	3	DHBHOF1400-304*	DHBHIN1400-304*
1600mm	3	DHBHOF1600-304*	DHBHIN1600-304*
1800mm	3	DHBHOF1800-304*	DHBHIN1800-304*

\*Fixing pack included. Add suffix to part number: **SI** for Single or **BB** for Back to Back e.g. DHBHOF400-304BB

### Bow Handle

600mm	2	DHBHBOW600-304*
990mm	2	DHBHBOW990-304*

\*Fixing pack included. Add suffix to part number: **SI** for Single, **BB** for Back to Back or **SN** for Single Non Grub Screw fixing e.g. DHBHBOW600-304SN

### Fixing Kits

Secret Fixing Screw	9F082
2 Pillar Single Fix (SI)	DAFK2PSI
3 Pillar Single Fix (SI)	DAFK3PSI
2 Pillar Back to Back (BB)	DAFK2PBB
3 Pillar Back to Back (BB)	DAFK3PBB
Threaded Bar 120mm	DATB120
Maintenance Kit	9B045

### Technical Information

#### Performance

Salt spray tested to 1000 hours (BS EN1670: Grade5)

#### Operation

Load tested to 1500N

### Material Specification

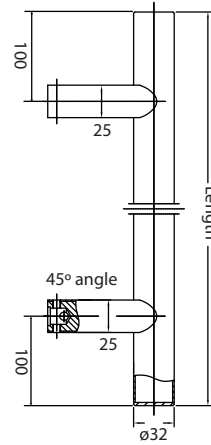
Body:	Stainless Steel 304
Finish:	Brushed Steel

### Maintenance

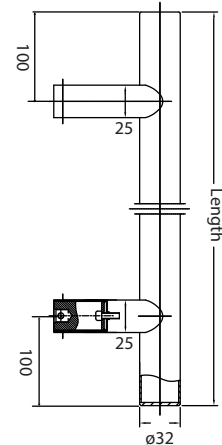
To maintain your stainless steel product in best condition, we recommend routine cleaning once a month. All exposed stainless steel surfaces should be wiped over with a clean cloth and warm water with a mild detergent on a frequent and routine basis. Cleaning should always be immediately followed by rinsing in clean hot water and the surface then wiped completely with a dry towel. For more stubborn dirt or stains use mild, non-scratching abrasive powders such as typical household cleaners. These can be used with bristle brushes, sponges or non-abrasive scourers. For more aggressive cleaning a small amount of vinegar can be added to the powder. Carbon steel brushes and steel wool should be avoided as they may leave particles embedded in the surface, which can lead to rusting.

### Offset

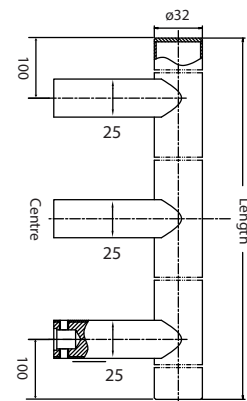
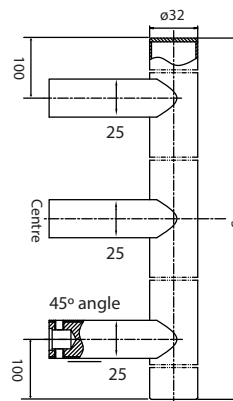
Lengths: 400, 600, 800, 1000 and 1200 (two fix)



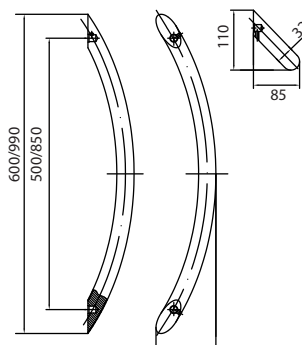
### Inline



Lengths: 1400, 1600 and 1800 (three fix)



### Bow



All dimensions are in mm and are nominal.  
ERA reserves the right to change specification without notice.  
It is the responsibility of the door manufacturer to ensure that the finished product meets any required safety and performance specification.

### Fixing Kits

