

Stainless Steel Restrictor Stay Set



Features

- **Prevents window opening beyond a certain point from inside and outside**
Increased safety and security
- **Manufactured in austenitic stainless steel**
Maximum corrosion resistance ensures durability
- **Screws into eurogroove to supplement existing devices**
Add-on security solution, can be retrofitted

Stainless Steel Restrictor Stay Set

Ordering Details

Stainless Steel Restrictor Stay Set

Product	Handing	Part No.
9.5mm stud	Right Hand	7B000A
9.5mm stud	Left Hand	7B001A
11.5mm stud	Right Hand	7B002A
11.5mm stud	Left Hand	7B003A
14.5mm stud	Right Hand	7B004A
14.5mm stud	Left Hand	7B005A

Maintenance

The pivot point should be lightly lubricated twice a year and the surface cleaned with a soft cloth to remove any dust or grime. The product should be periodically adjusted and the fixings tightened to ensure a satisfactory operation

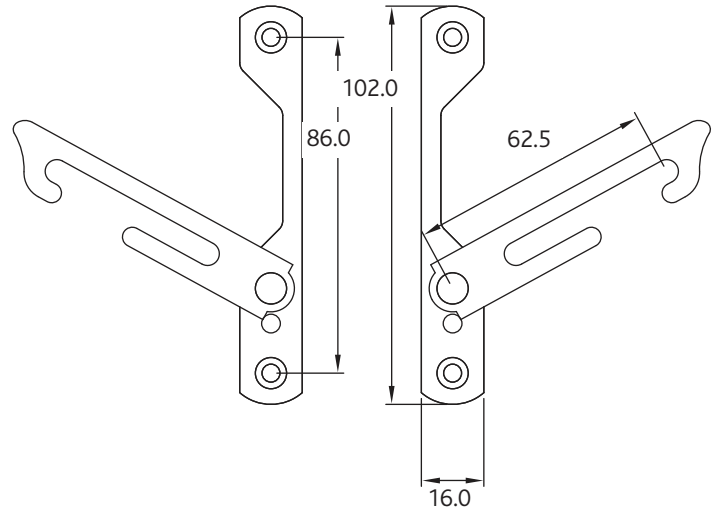
Packaging

Stainless Steel Restrictor Stay Set:

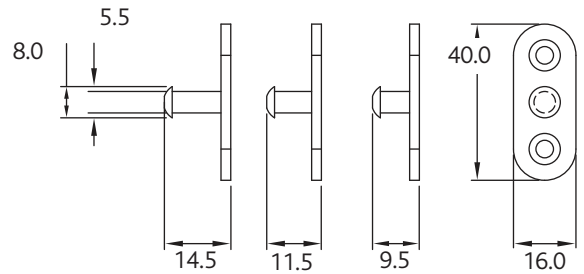
1 per bag, 10 per box.

Left Handed

Right Handed



Stud Height



All dimensions are in mm.

ERA reserves the right to change specification without notice. It is the responsibility of the window manufacturer to ensure that the finished product meets any required safety and performance specification