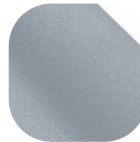


Sash Pull



Features

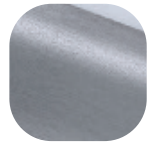
- Sturdy feel**
 Solid die cast zinc construction
- Easy to grip**
 Sculptured ergonomic design
- Perfectly matching hardware**
 Supplied with colour coordinated screws that perfectly matches to the Sash Pull
- Designed for PVCu, Timber and Aluminium sliding windows**
 To suit all window materials, we have a range of different keeps to suit specific profiles
- Available in the complete range of Hardex finishes**
 Perfectly matching to the full Fab&Fix range of products



Premium Satin



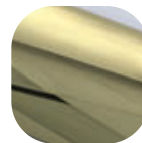
Hardex Chrome



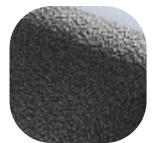
Hardex Graphite



Hardex Bronze



Hardex Gold



Antique Black



Hardex Pewter



White



Black

Sash Pull

Ordering Details

Product **Part No.**

Finish

Hardex Chrome	VHSLHC01
Hardex Bronze	VHSLHB01
Hardex Gold	VHSLHG01
Hardex Graphite	VHSLGR01
Hardex Pewter	VHSLPT01
Antique Black	VHSLAB01
White	VHSLWH01
Black	VHSLBK01
Premium Satin	VHSLPS01

Technical Information

Corrosion Resistance

Meets the requirements of BS EN 1670:2007 Grade 5 (480 hours)

Material Specification

Sash Pull:	Zinc Die Cast
Coatings:	Hardex Chrome, Hardex Bronze, Hardex Gold, Hardex Pewter, Antique Black, Hardex Graphite, Premium Satin, White and Black.

Maintenance

For continued protection of the quality finish and appearance, we advise routine cleaning of all our external hardware. We recommend wiping it with a clean cloth soaked in warm water and mild detergent every month. Please refrain from using heavy-duty cleaners, containing Chlorine or Potassium. Moving parts should also be lightly lubricated using a light non-acidic mineral oil (e.g., "3 in 1") at least twice per year. The product may need to be adjusted and fixings tightened to ensure a satisfactory operation. This procedure is particularly essential if products are used within a 25-mile radius of coastal areas or close proximity to building sites or large industrial areas, where more frequent cleaning may be required to prevent the accumulation of corrosive contaminants.

Packaging

Sash Pull: Individually bagged, 100 per box

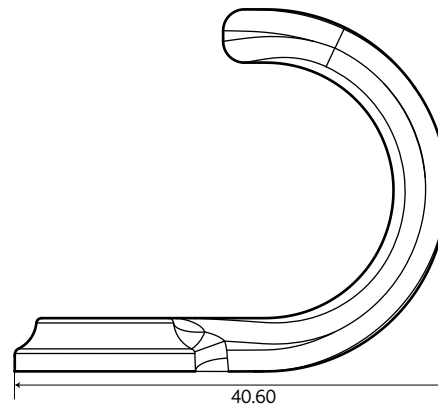
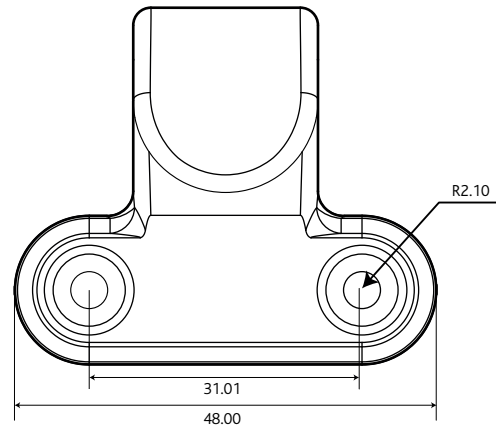
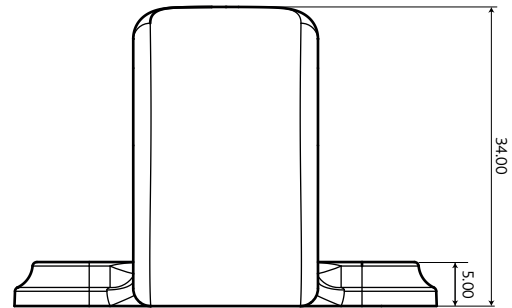


Diagram not to scale.

All dimensions are in mm and are nominal.

Fab&Fix reserves the right to change specification without notice. It is the responsibility of the window manufacturer to ensure that the finished product meets any required safety and performance specification.