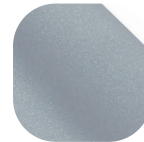


High Security Cam Locks & Keeps



Features

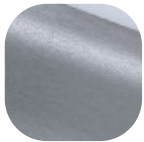
- High security**
 Engineered for strength to offer premium security for vertical sliding windows. The combination of six fixing points, a stainless steel keep faceplate and a forged cam give increased resistance to physical attacks. Can also be fitted with a standard perfectly matching keep if security not required
- Stylish design**
 Sits discreetly on the window with a choice of lever style – Classic, Heritage or Architectural
- Perfectly Matching**
 Each lever design has a corresponding bottom Sash Knob for that Classic, Heritage or Architectural window design
- Colour coordinated screws**
 Perfectly match to the Cam Lock, even down to the small details and available in the complete range of Hardex finishes
- Designed for PVCu, Timber and Aluminium sliding windows**
 To suit all window materials, we have a range of different keeps to suit specific profiles
- Tried and Tested**
 Tested in our UKAS test facility to meet the requirement of Secured by Design on a number of window systems including Spectus, Veka, Rehau and Eurocell. A range of system specific accessories designed to achieve PAS 24:2012 are also available including Chimneys, Aluminium Security Strips and Guide Catches
- Guaranteed**
 The high security packaged is supported by the ERA Total Security Guarantee for homeowners giving them peace of mind



Premium Satin



Hardex Chrome



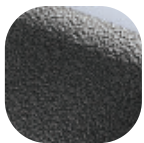
Hardex Graphite



Hardex Bronze



Hardex Gold



Antique Black



Hardex Pewter



White



Black

High Security Cam Locks & Keeps

Ordering Details			
Product			
High Security Cam Lock			
Finish	Classic	Heritage	Architectural
Hardex Chrome	VHCLCHC01A	VHCLHHC01A	VHCLAHC01A
Hardex Bronze	VHCLCHB01A	VHCLHHB01A	VHCLAHB01A
Hardex Gold	VHCLCHG01A	VHCLHHG01A	VHCLAHG01A
Hardex Graphite	VHCLCGR01A	VHCLHGR01A	VHCLAGR01A
White	VHCLCWH01A	VHCLHWH01A	VHCLAWH01A
Black	VHCLCBK01A	VHCLHBK01A	VHCLABK01A
Premium Satin	VHCLCPS01A	VHCLHPS01A	VHCLAPS01A

*For windows over 800mm wide, 2 cam locks and keeps are required.

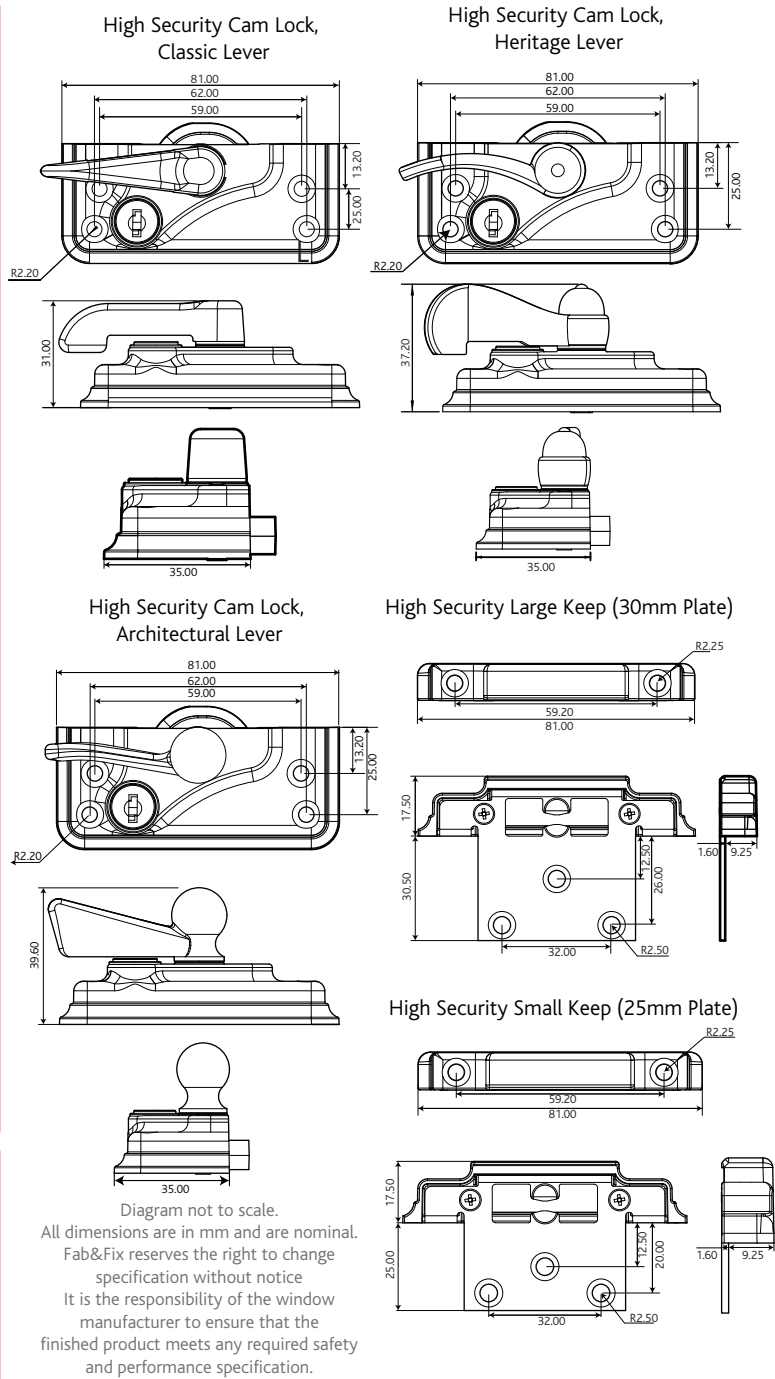
High Security Keeps			
Finish	Small (25mm plate)	Large (30mm plate)	
Hardex Chrome	VHKPSHC08C	VHKPSHC11C	
Hardex Bronze	VHKPSHB08C	VHKPSHB11C	
Hardex Gold	VHKPSHG08C	VHKPSHG11C	
Hardex Graphite	VHKPSGR08C	VHKPSGR11C	
White	VHKPSWH08C	VHKPSWH11C	
Black	VHKPSBK08C	VHKPSBK11C	
Premium Satin	VHKPSPS08B	VHKPSPS11C	

High Security Cam Lock and Keep Set			
Finish	Classic	Heritage	Architectural
Antique Black			
Small Standard Keep	VHCLCAB0108B	VHCLHAB0108B	VHCLAAB0108B
Large Standard Keep	VHCLCAB0111B	VHCLHAB0111B	-
Small Security Keep	VHCLCAB015MB	VHCLHAB015MB	VHCLAAB015MB
Large Security Keep	VHCLCAB01LGB	VHCLHAB01LGB	VHCLAAB01LGB
Hardex Pewter			
Small Standard Keep	-	VHCLHPT0108	VHCLAPT0108
Large Standard Keep	-	VHCLHPT0111	VHCLAPT0111
Small Security Keep	VHCLCPT01SM	VHCLHPT01SM	VHCLAPT01SM
Large Security Keep	VHCLCPT01LG	VHCLHPT01LG	VHCLAPT01LG

*For windows over 800mm wide, 2 cam locks and keeps are required.

Spare Key	723-KEY
Universal Non-Locking Barrel Plug (Black)	BH-LOC-PLG

Technical Information	
Corrosion Resistance	Meets the requirements of BS EN 1670:2007 Grade 5 (480 hours)
Performance	Tested to meet the requirements of PAS 24:2012 on selected window systems
Material Specification	
Cam Lock and Keep:	Zinc Die Cast
Keys:	Steel
Coatings:	Hardex Chrome, Hardex Bronze, Hardex Gold, Hardex Graphite, Hardex Pewter, Antique Black, Premium Satin, White and Black.
Chimneys:	Nylon
Security Strips:	Aluminium
Guide Catches:	30% Glass filled Nylon, Stainless Steel spring, Aluminium side catch
Sash Packed:	Nylon



Maintenance	
For continued protection of the quality finish and appearance, we advise routine cleaning of all our external hardware. We recommend wiping it with a clean cloth soaked in warm water and mild detergent every month. Please refrain from using heavy-duty cleaners, containing Chlorine or Potassium. Moving parts should also be lightly lubricated using a light non-acidic mineral oil (e.g., "3 in 1") at least twice per year. The product may need to be adjusted and fixings tightened to ensure a satisfactory operation. This procedure is particularly essential if products are used within a 25-mile radius of coastal areas or close proximity to building sites or large industrial areas, where more frequent cleaning may be required to prevent the accumulation of corrosive contaminants.	