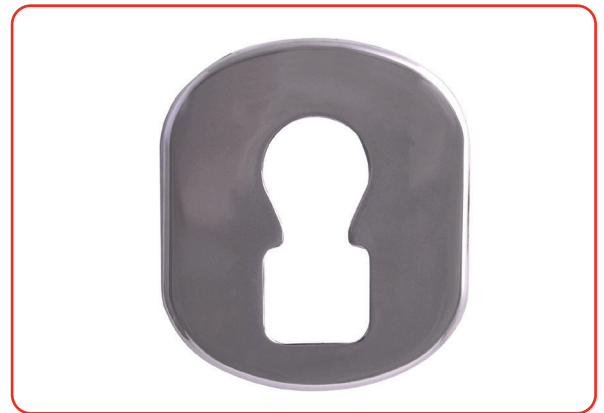


Heritage Invincible Cylinder Pull and Escutcheon



Features

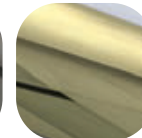
- Stylish cylinder pull and escutcheon**
 For use with the ERA Invincible cylinder
- Designed to provide an easy method of closing the door upon exit**
 Used to pull the door close from the outside easily
- Solid cylinder protection**
 Design of the cylinder pull protects the external cylinder behind the pull preventing cylinder snapping and extraction
- Internal rounded escutcheon slides easily onto the fixing plate**
 Finishes the door internally
- All parts for a door included within one package**
 Supplied as a pair external cylinder pull and internal escutcheon boxed together with screws for 42-48mm doors (screw pack available for 70mm doors)
- Designed for Composite, Timber and PVCu doors**
 To suit all door materials
- Available in the complete range of Hardex finishes**
 Perfectly matching to the full Fab&Fix range of products
- Through fixing**
 Easily retrofittable and suitable for all locking mechanisms. Screw centres perfectly align with key wind up, Heritage and Slam Shut door locking systems
- Secure**
 High tensile M6 screws for high security performance. Meets the requirements of PAS24 as part of a compliant doorset and tested to meet TS007



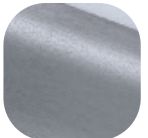
Hardex Chrome



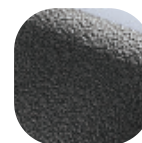
Hardex Bronze



Hardex Gold



Hardex Graphite



Antique Black



White



Black

Heritage Invincible Cylinder Pull and Escutcheon

Ordering Details

Product

83mm Invincible Cylinder Pull and Escutcheon

Finish 42-48mm doors

Hardex Chrome	4F552
Hardex Bronze	4F553
Hardex Gold	4F554
Hardex Graphite	4F555
Antique Black	4F556
White	4F550
Black	4F551
Screw pack for 70mm doors	9F102

Technical Information

Corrosion resistance

Meets the requirements of BS EN 1670:2007 Grade 5 (480 hours)

Material Specification

Cylinder Pull:	High quality Zinc
Escutcheon:	High quality Zinc
Coatings:	Hardex Chrome, Hardex Bronze, Hardex Gold, Hardex Graphite, Antique Black, Black and White

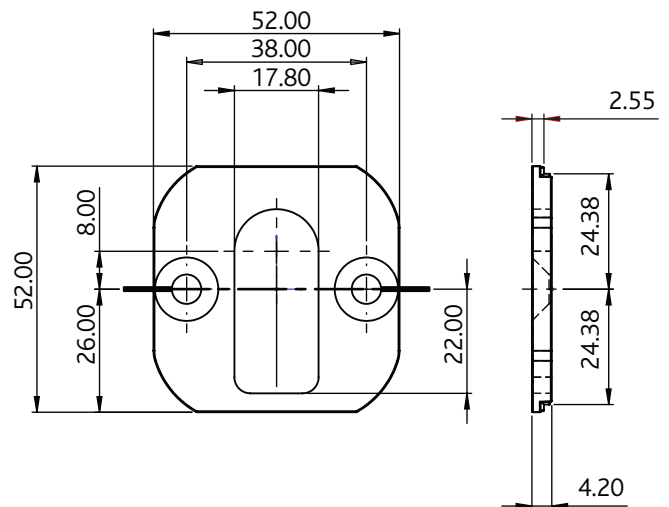
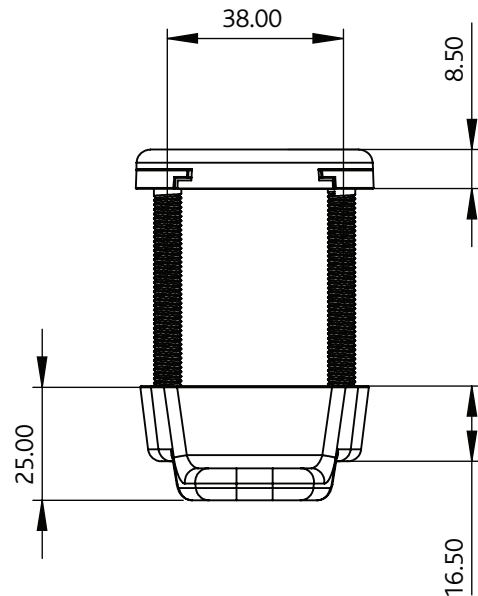
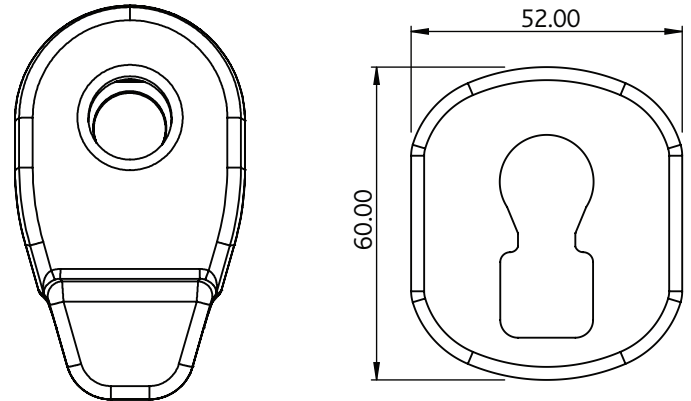
Maintenance

For continued protection of the quality finish and appearance, we advise routine cleaning of all our external hardware. We recommend wiping it with a clean cloth soaked in warm water and mild detergent every month. Please refrain from using heavy-duty cleaners, containing Chlorine or Potassium. Moving parts should also be lightly lubricated using a light non-acidic mineral oil (e.g. "3 in 1") at least twice per year. The product may need to be adjusted and fixings tightened to ensure a satisfactory operation. This procedure is particularly essential if products are used within a 25-mile radius of coastal areas or close proximity to building sites or large industrial areas, where more frequent cleaning may be required to prevent the accumulation of corrosive contaminants.

Packaging

Heritage Invincible Cylinder Pull and Escutcheon

Individually boxed with screws.
20 per box.



All dimensions are in mm and are nominal.
Fab&Fix reserves the right to change specification without notice
It is the responsibility of the door manufacturer to ensure that the finished product meets any required safety and performance specification.