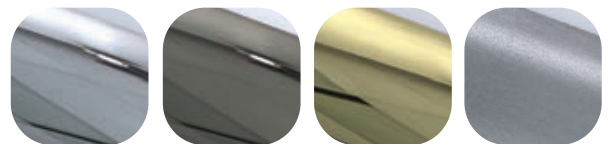


### Security Euro Cylinder Pull and Internal Pull



#### Features

- Stylish external security cylinder pull and standard internal pull**  
 For use with a Euro profile cylinder
- Designed to provide an easy method of closing the door upon exit**  
 Used to pull the door close from the outside easily
- Solid cylinder protection**  
 Design of the cylinder pull protects the external cylinder behind the pull preventing cylinder snapping and extraction
- Internal cylinder pull slides easily onto the fixing plate**  
 Finishes the door internally
- All parts for a door included within one package**  
 Supplied as a pair external cylinder pull and internal pull boxed together with screws for 42-48mm doors (screw pack available for 70mm doors)
- Designed for Composite, Timber and PVCu doors**  
 To suit all door materials
- Available in the complete range of Hardex finishes**  
 Perfectly matching to the full Fab&Fix range of products
- Through fixing**  
 Easily retro-fittable and suitable for all locking mechanisms. Screw centres perfectly align with key wind up, Heritage and Slam Shut door locking systems
- Secure**  
 High tensile M6 screws for high security performance. Meets the requirements of PAS24 as part of a compliant doorset and tested to meet TS007

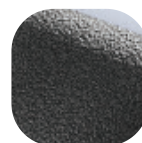


Hardex Chrome

Hardex Bronze

Hardex Gold

Hardex Graphite



Antique Black



White



Black



Hardex Rose

### Security Euro Cylinder Pull and Internal Pull

#### Ordering Details

#### Product

**83mm Security Euro Cylinder Pull and Standard Inner Pull**

Finish	Part No. 42-48mm doors
Hardex Chrome	4F202
Hardex Bronze	4F203
Hardex Gold	4F204
Hardex Graphite	4F205
Hardex Rose	DFNSEPPHR
Antique Black	4F206
White	4F200
Black	4F201
Screw pack for 70mm doors	9F102

#### Technical Information

##### Corrosion resistance

Meets the requirements of BS EN 1670 Grade 5 (480 hours)

##### Material Specification

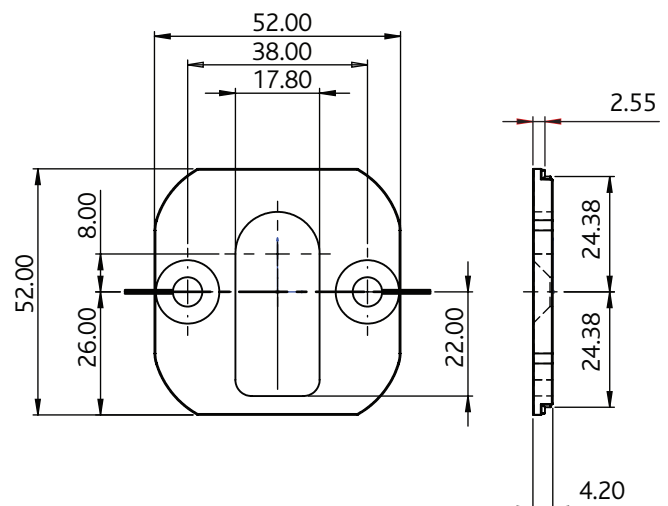
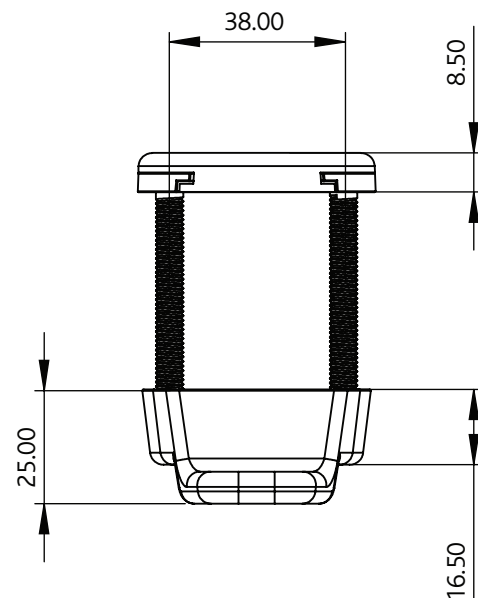
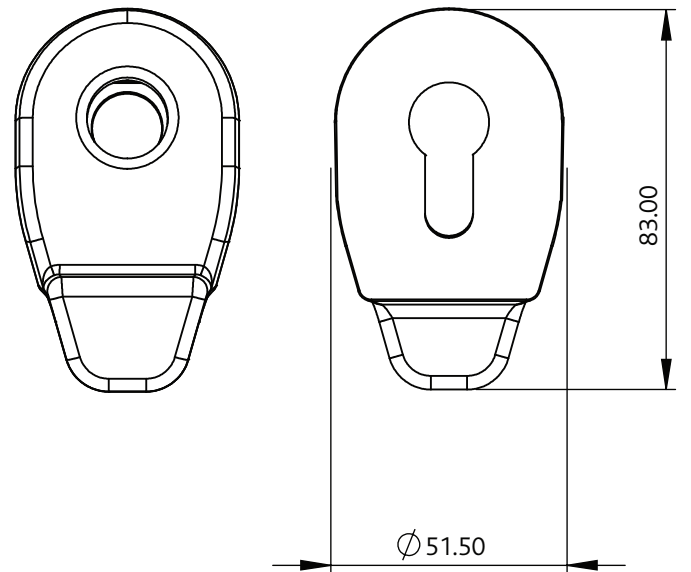
Cylinder Pull:	High quality Zinc
Coatings:	Hardex Chrome, Hardex Bronze, Hardex Gold, Hardex Graphite, Hardex Rose, Antique Black, Black and White
Grub Screw:	M4 X 4mm

#### Maintenance

For continued protection of the quality finish and appearance, we advise routine cleaning of all our external hardware. We recommend wiping it with a clean cloth soaked in warm water and mild detergent every month. Please refrain from using heavy-duty cleaners, containing Chlorine or Potassium. Moving parts should also be lightly lubricated using a light non-acidic mineral oil (e.g., "3 in 1") at least twice per year. The product may need to be adjusted and fixings tightened to ensure a satisfactory operation. This procedure is particularly essential if products are used within a 25-mile radius of coastal areas or close proximity to building sites or large industrial areas, where more frequent cleaning may be required to prevent the accumulation of corrosive contaminants.

#### Packaging

**Security Euro Cylinder Pull and Inner Pull**  
Individually boxed with screws.  
20 per box.



All dimensions are in mm and are nominal.

Fab&Fix reserves the right to change specification without notice

It is the responsibility of the door manufacturer to ensure that the finished product meets any required safety and performance specification.