

Ingot Door Knocker



Features

- **Stylish contemporary door knocker**
Suits modern high-end composite doors
- **Manufactured from investment cast grade 316 austenitic stainless steel**
Ultimate corrosion resistance
- **Fixing plate included**
To suit 60-70mm profiles
- **Colour coordinated fixings**
Perfectly matching hardware, even down to the smallest details



Ingot Door Knocker

Ordering Details

Product

Ingot Knocker

Finish

Brushed Steel

Part No.

4A550

Technical Information

Corrosion resistance

Salt spray tested to 1000 hours (BS EN1670: Class 5)

Operation

Tested to 200,000 cycles

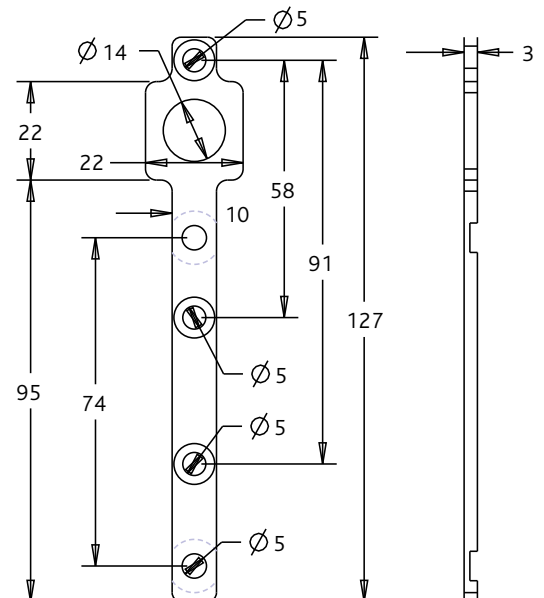
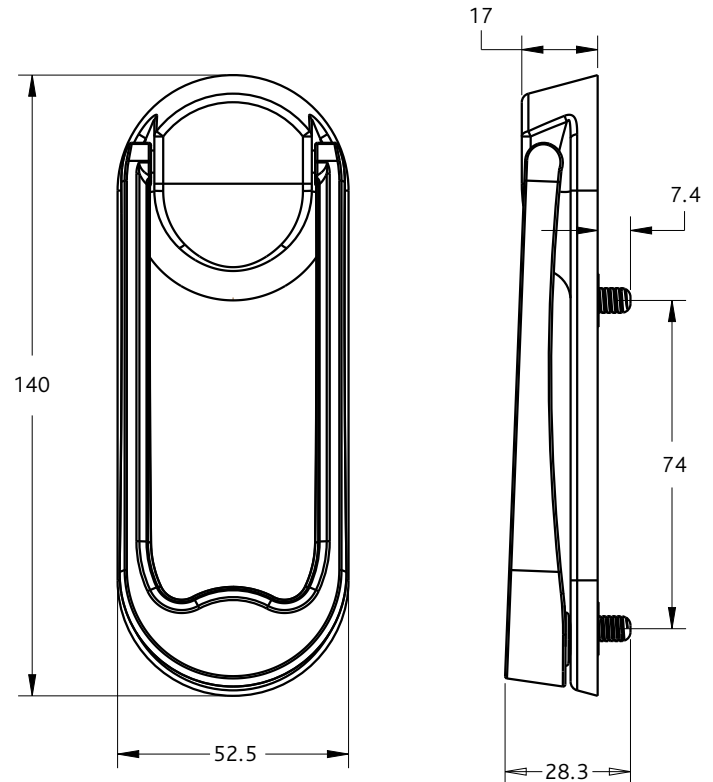
Material Specification

Handle Grip and Backplate: Stainless Steel

Coatings: Brushed Steel

Maintenance

To maintain your stainless steel product in best condition, we recommend routine cleaning once a month. All exposed stainless steel surfaces should be wiped over with a clean cloth and warm water with a mild detergent on a frequent and routine basis. Cleaning should always be immediately followed by rinsing in clean hot water and the surface then wiped completely with a dry towel. For more stubborn dirt or stains use mild, non-scratching abrasive powders such as typical household cleaners. These can be used with bristle brushes, sponges or non-abrasive scourers. For more aggressive cleaning a small amount of vinegar can be added to the powder. Carbon steel brushes and steel wool should be avoided as they may leave particles embedded in the surface, which can lead to rusting.



All dimensions are in mm and are nominal.
 Fab&Fix reserves the right to change specification without notice
 It is the responsibility of the door manufacturer to ensure that the finished product meets any required safety and performance specification.