

Ecoseal



Features

- Simple yet effective means of adding compression to all sizes of casement windows
- The kit consists of a high powered magnet assembly and an adjustable steel plate assembly
- Designed to attract to each other and pull the sash in against the frame so that the gasket compresses to form a tight seal
- Fitting is simple with one part fixing to the frame and the other part opposite on the sash
- Helps align the sash for ease of closing larger window
- Patented design incorporating micro adjustment for optimal magnetic strength
- Helps eliminate draughts and noise pollution, particularly on larger sashes
- The strength of the magnetic attraction increases after the Ecoseal is left in the closed position for a period of time

Ecoseal

Ordering Details

Product	Part No.
Ecoseal	
13mm and 17mm	S3-ES-1

Material Specification

Lock body:	Composite body with mild steel plates
Springs:	Steel
Magnet holder:	Composite with N42 magnet
Screws:	Steel

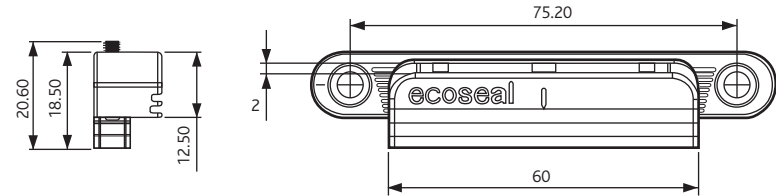
Maintenance

All moving parts should be lightly lubricated using a light non-acidic mineral oil (e.g. "3 in 1") twice per year and the surface cleaned with a soft damp cloth. The product may need to be adjusted and fixings tightened to ensure a satisfactory operation.

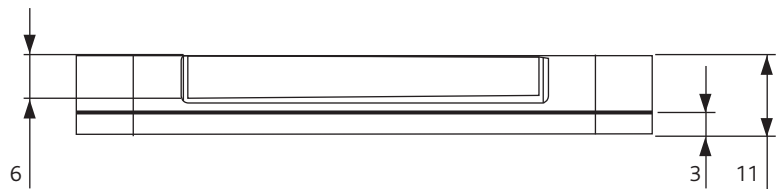
Packaging

Ecoseal
1 per inner. 20 per outer box.

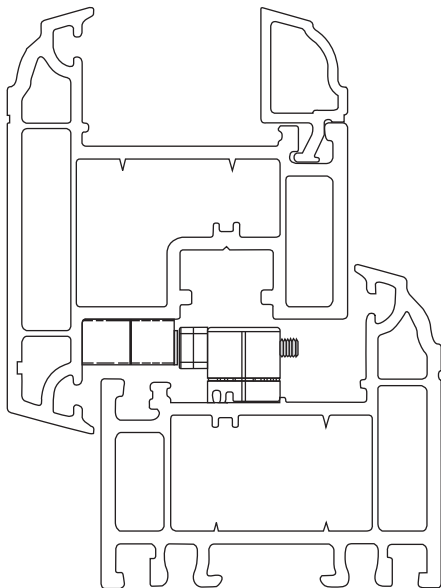
Ecoseal Dimensions



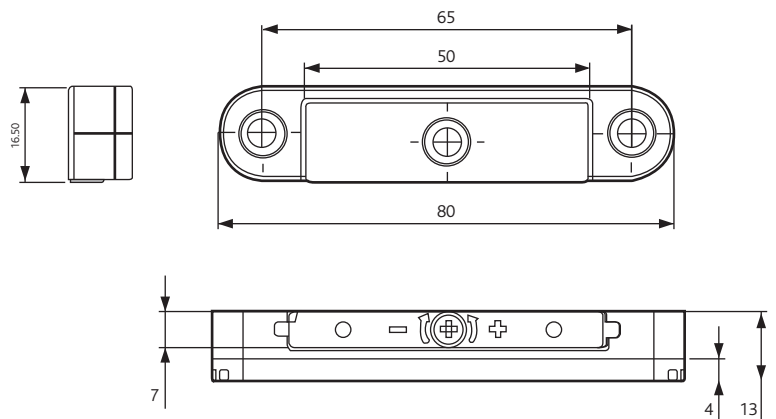
Magnet assembly



Typical Ecoseal Fitting Detail



Adjustable Steel Plate Assembly



All dimensions are in mm.
ERA reserves the right to change specification without notice.
It is the responsibility of the window manufacturer to ensure that the finished product meets any required safety and performance specification