

Close Shackle Padlock



Features

- The **Close Shackle Padlock** has a 5 brass lever locking mechanism with a close hardened steel shackle
- Master keying is available
- Doors up to 63mm thick can be secured
- Hardened forged steel hasp conceals the staple to prevent hacksawing and forced wrenching

Close Shackle Padlock

Ordering Details

Close Shackle 5 Lever Padlock

Product	Part No. Clam Pack	Part No. Box Version
Grey 64mm (2 1/2")	975-92	975-91

The Close Shackle Padlock is also available to pass and also under a master key.

Packaging

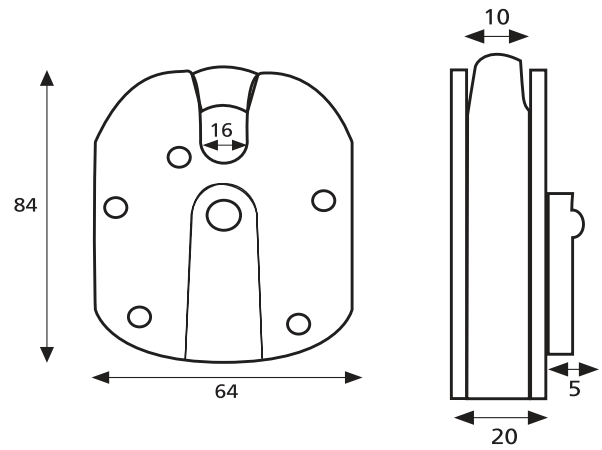
Padlock

1 padlock per box/clam, 24 per outer box or 5 per outer clam

Maintenance

Wipe the surface periodically with a soft cloth to remove excess grease or moisture.

Close Shackle Padlock



All dimensions are in mm.

ERA reserves the right to change specification without notice.
It is the responsibility of the door manufacturer to ensure that the finished product meets any required safety and performance specification.