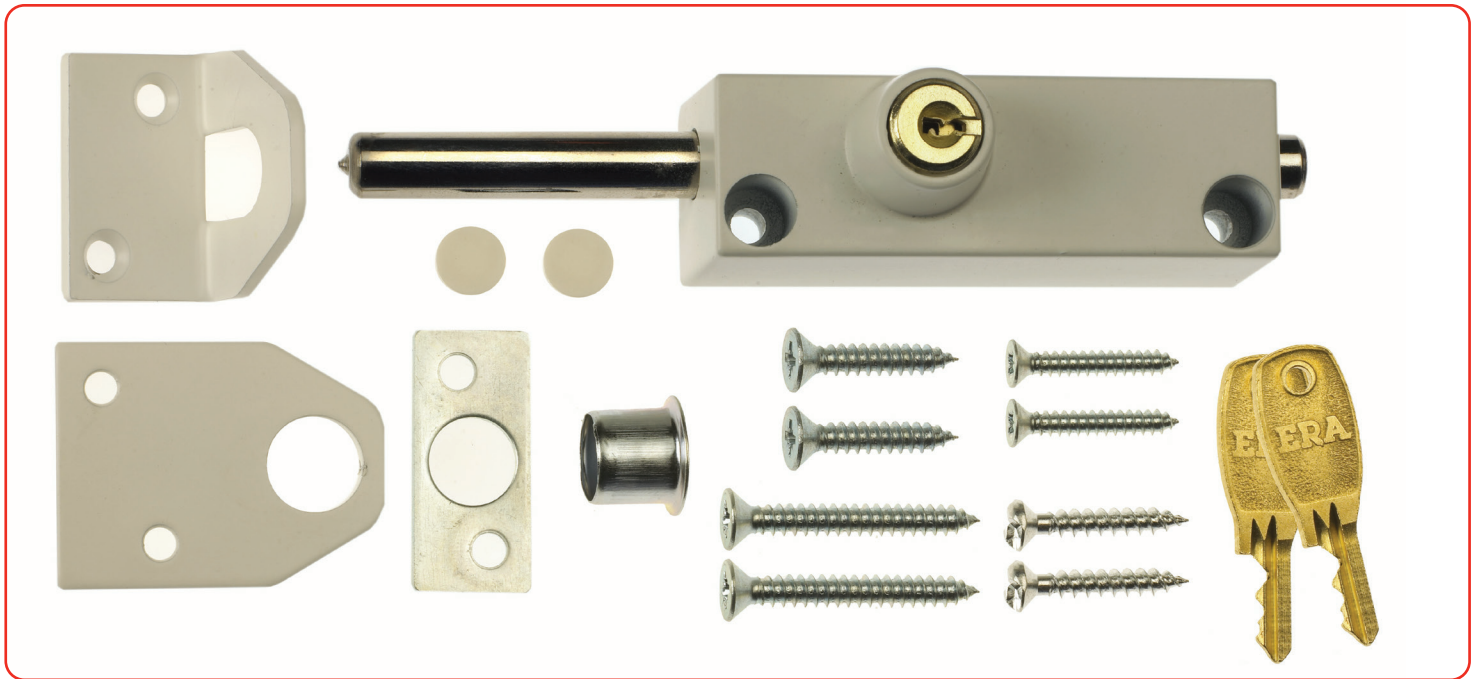


## Multi Purpose Bolt



### Features

- Can be fitted to Aluminium and Timber sliding and hinged doors
- The long bolt throw also makes it ideal for patio and garage doors
- Rotating steel bolt resists hacksawing
- Fixing screws are concealed when in the locked position
- Each bolt is supplied with steel receiving plates and a ferrule for easy fitting to all types of jamb
- Cut keyed versions can be supplied with keys to pass

## Multi Purpose Bolt

### Ordering Details

#### Multi Purpose Bolt - Cut Keys

Product	Part No. Retail Boxed Version
White	807-17
Brown	807-27
Satin	807-57
Brass	807-37

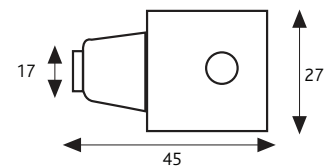
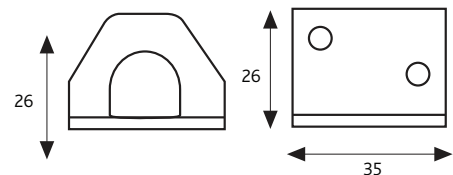
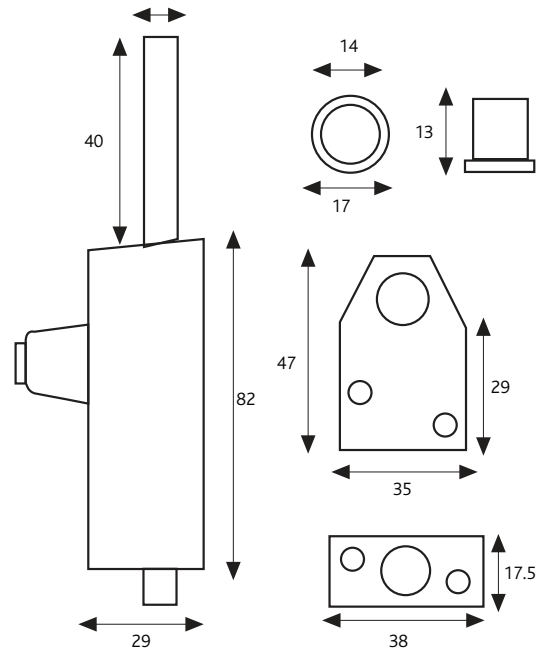
### Packaging

#### Retail Boxed version

Cardboard packaging with euro hooks, 2 keys. 1 per retail box, 6 retail boxes per outer box. 0.44Kg per item, 2.64Kg per outer box.

### Maintenance

The pivot point should be lightly lubricated twice a year and the surface cleaned with a soft cloth to remove any dust or grime. The product should be periodically adjusted and the fixings tightened to ensure a satisfactory operation



All dimensions are in mm.

ERA reserves the right to change specification without notice.

It is the responsibility of the door manufacturer to ensure that the finished product meets any required safety and performance specification