

### Bolts and Thumbturns

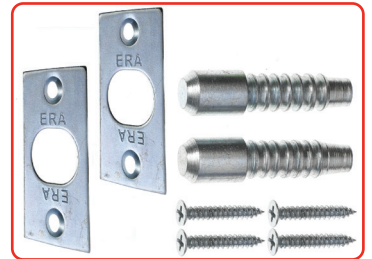
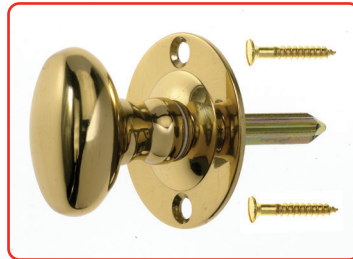
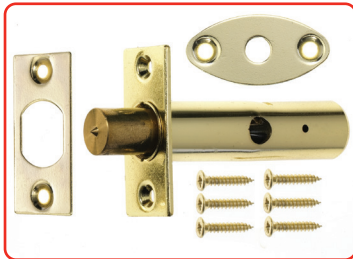


Door Security Bolt

Splined Key

Thumbturn

Hinge Bolts



## Features

### Door Security Bolt

- Offers concealed security for all internal and external doors

### Splined Key

- Separate spindled key locks and unlocks the bolt from one side on

### Thumbturn

- Permanently fixed to the door and used in conjunction with a door security bolt.
- Easily located in the event of a fire and allows privacy when used on internal doors
- Suitable as a security measure for cupboards and internal doors
- Available individually as a replacement for a key where a security bolt is already fitted

### Hingebolts

- Offers added security on external doors with exposed hinges, helping to prevent doors being forced off their hinges
- Suitable for all wooden internal and external doors. Essential for all outward opening doors
- Manufactured from hardened steel to resist hacksawing

### Bolts and Thumbturns

#### Ordering Details

Security Bolt		Part No.	
Finishes	Saver Pack 2 bolts and 1 key	Retail Boxed Version	Bagged Version
White	838-17	-	838-15
Brass	838-37	838-377	838-35
Satin	838-57	838-577	838-55

Splined Key	
Splined Key	506-55

Thumbturn	
Brass	843-35
Satin	843-55
Polished Chrome	843-65

Hinge Bolts	
Satin	740-55

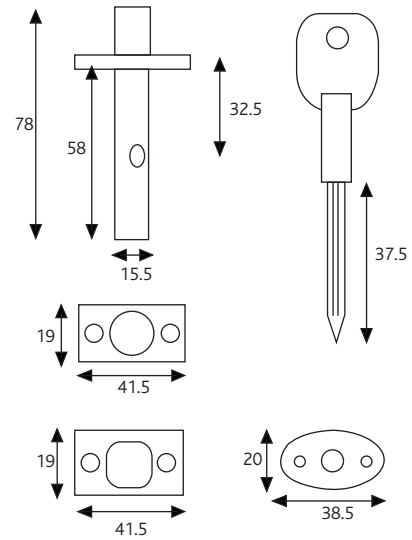
#### Packaging

- Security Bolt: Saver Pack**  
2 bolts and 1 key per inner, 10 inners per outer box. 0.15Kg per item, 1.5Kg per outer box.
- Security Bolt: Retail Boxed version**  
Cardboard packaging with euro hooks. 1 per retail box, 10 retail boxes per outer box. 0.15Kg (40mm) per item, 1.5Kg per outer box.
- Security Bolt: Bagged version**  
1 per inner, 10 per outer box. 0.17Kg (40mm) per item, 1.7Kg per outer box.
- Splined Key: Bagged version**  
1 per inner, 40 per outer box. 0.01Kg per item, 0.56Kg per outer box.
- Thumbturn: Bagged version**  
1 per inner, 10 per outer box. 0.08Kg per item, 0.8Kg per outer box.
- Hinge Bolts: Bagged version**  
2 per inner, 40 inners per outer box. 0.01Kg per item, 0.56Kg per outer box.

#### Maintenance

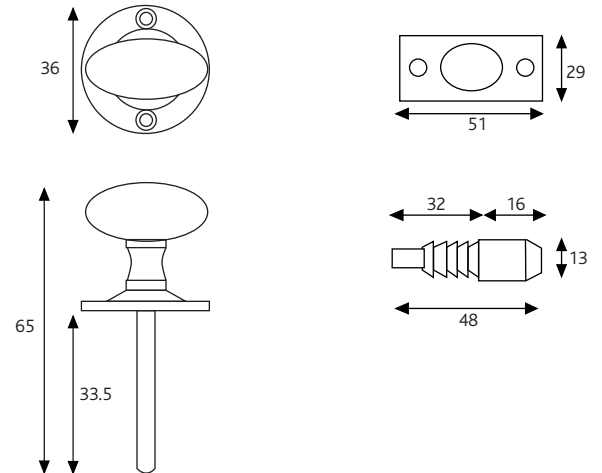
The pivot point should be lightly lubricated twice a year and the surface cleaned with a soft cloth to remove any dust or grime. The product should be periodically adjusted and the fixings tightened to ensure a satisfactory operation

Security Bolt and Splined Key



Thumbturn

Hinge Bolts



All dimensions are in mm.

ERA reserves the right to change specification without notice. It is the responsibility of the door manufacturer to ensure that the finished product meets any required safety and performance specification