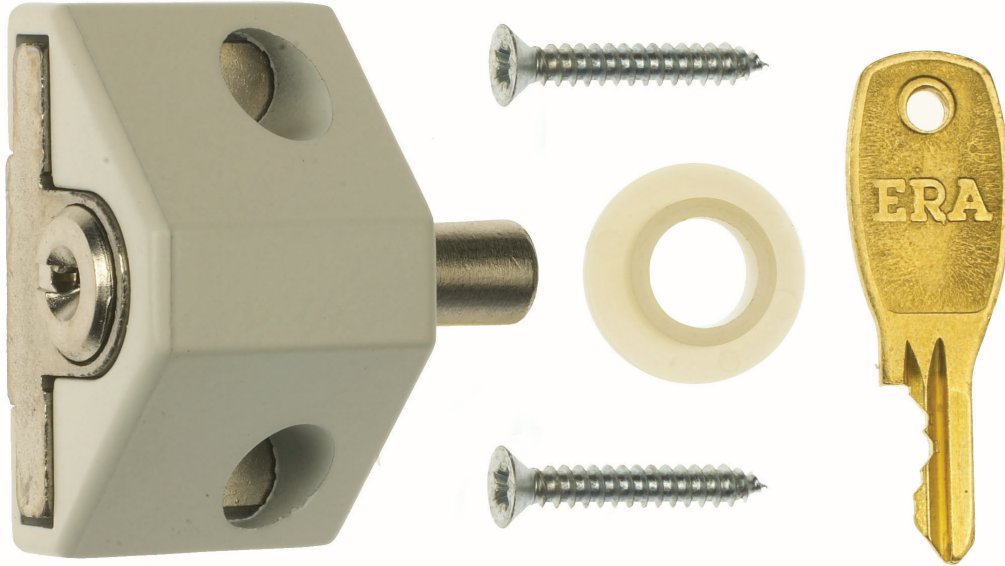


## Patio Door Push Lock



### Features

- Can be fitted to most types of Metal, Timber and PVCu patio doors including those that slide on the inside or outside track
- Simply press the spring bolt to lock - the key is only required to unlock
- All fixing screws are concealed when locked
- The hardened steel pin in the bolt resists hacksawing
- Supplied with a ferrule to finish the drilled door frame

## Patio Door Push Lock

### Ordering Details

#### Patio Door Push Lock - Cut Key

Product	Part No.
White	100-17
Brown	100-27
Grey	100-47
<b>Spare Keys</b>	
Key Blank	682-56

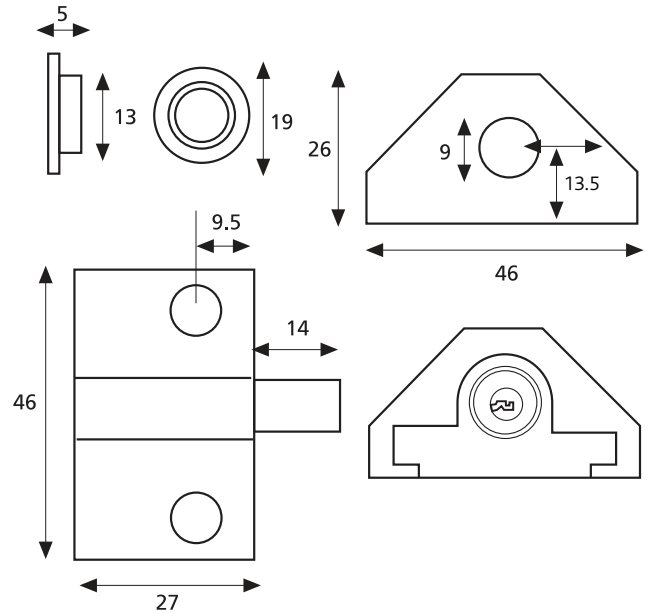
### Packaging

#### Retail Boxed version

Cardboard packaging with euro hooks. 1 lock per retail box, 10 retail boxes per outer box. 0.17Kg per item, 1.7Kg per outer box.

### Maintenance

The pivot point should be lightly lubricated twice a year and the surface cleaned with a soft cloth to remove any dust or grime. The product should be periodically adjusted and the fixings tightened to ensure a satisfactory operation



All dimensions are in mm.

ERA reserves the right to change specification without notice.  
It is the responsibility of the door manufacturer to ensure that the finished product meets any required safety and performance specification