

Universal Pressbolt



Features

- Can be used on all external and internal doors, French windows and cupboards
- Simply press the spring bolt to lock and use the key to unlock
- Rotating hardened steel bolt resists hacksawing
- Fixing screws are concealed when in the locked position
- Supplied with a steel receiving plate and ferrule enabling fixing to all types of door jamb



Standard Key



Cut Key

Universal Pressbolt

Ordering Details

Product	Part No. Retail Boxed Version
Universal Pressbolt - Standard Key	
White	805-17
Brown	805-27
Universal Pressbolt - Cut Key	
White	806-17
Brass Effect	806-37

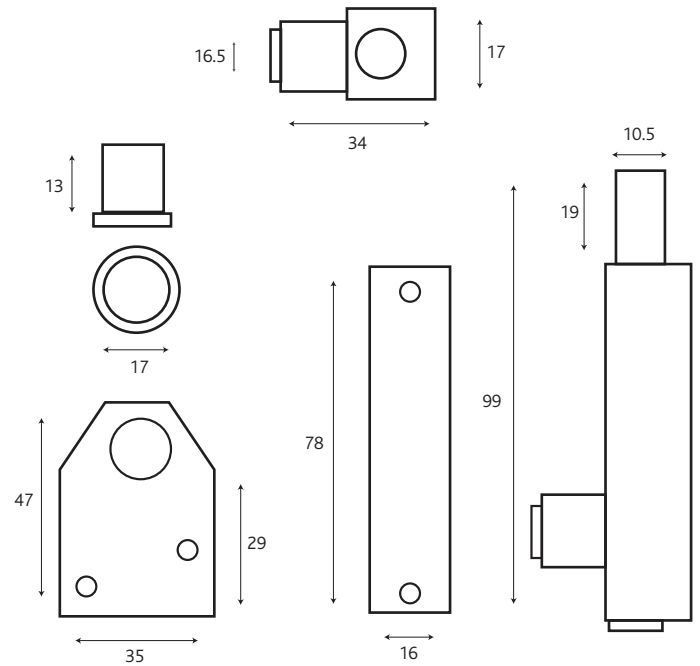
Packaging

Standard Key
Cardboard packaging with euro hooks. 1 per retail box, 10 retail boxes per outer box. 0.22Kg per item, 2.2Kg per outer box.

Cut Key
Cardboard packaging with euro hooks. 1 per retail box, 5 retail boxes per outer box. 0.22Kg per item, 1.1Kg per outer box.

Maintenance

The pivot point should be lightly lubricated twice a year and the surface cleaned with a soft cloth to remove any dust or grime. The product should be periodically adjusted and the fixings tightened to ensure a satisfactory operation



All dimensions are in mm.

ERA reserves the right to change specification without notice.
It is the responsibility of the window manufacturer to ensure that the finished product meets any required safety and performance specification