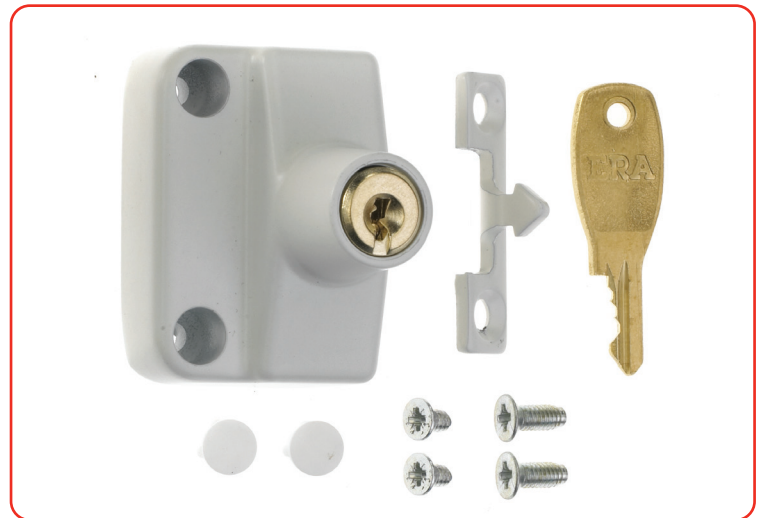


Snaplock for Metal Windows



Features

- The Snaplock can be used on most types of windows including casement, side hung or top hung.
- Closing the window locks the Snaplock automatically
- The key is only required to unlock
- Suitable for metal frames in a variety of finishes
- Designed to allow for any subsequent movement of the window frame
- Plugs for concealing and protecting the fixing screws
- Manufactured from coated steel, designed to withstand years of use
- Cut keys can be supplied to pass



Snaplock for Metal Windows

Ordering Details

Snaplock Metal Windows - Cut Keys

Product	Part No. Retail Boxed Version
White	904-17

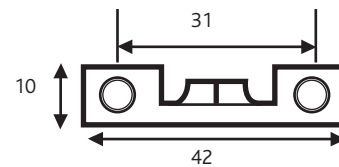
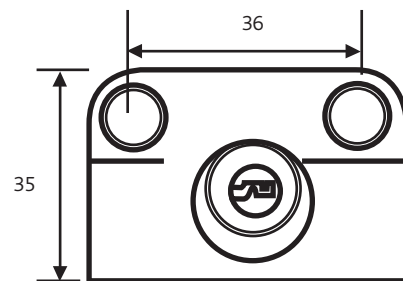
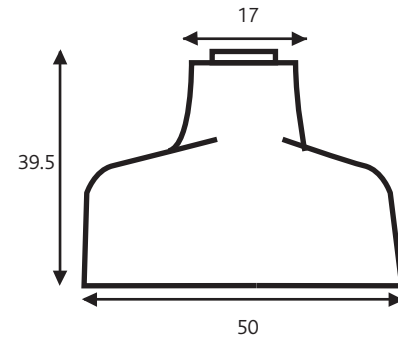
Maintenance

The pivot point should be lightly lubricated twice a year and the surface cleaned with a soft cloth to remove any dust or grime. The product should be periodically adjusted and the fixings tightened to ensure a satisfactory operation

Packaging

Snaplock - Metal Windows:

Cardboard packaging with euro hooks. 1 per retail box, 5 retail boxes per outer box. 0.19Kg per item, 0.95Kg per outer box.



All dimensions are in mm.

ERA reserves the right to change specification without notice.
It is the responsibility of the window manufacturer to ensure that the finished product meets any required safety and performance specification