

## Additional High Security Window Locks



Swinglock for Timber Windows

### Features

#### Swinglock for Timber Windows

- Suitable for most timber casement windows
- The lock pivots to the latch when the window is closed
- Fixing screws are concealed when in the locked position
- The locking action pulls the window tight into the frame, reducing drafts

#### Swinglock for Metal Windows

- Designed for most metal casement windows
- The lock pivots the latch when the window is closed
- Fixing screws are concealed when in the locked position
- The locking action pulls the window tight into the frame, reducing drafts

#### Metal Window Lock

- Fits most metal windows including casement, side hung, pivot, top hung and sliding
- Fixing screws are self-tapping
- Locks and unlocks using cut key

#### Flush Pivot Lock

- Suitable for most timber windows, including casement, side hung, pivot, top hung and sliding
- Each lock is supplied with a box keep with matching finish
- Locks and unlocks using cut key
- The hardened steel bolt is deadlocked in the box keep
- Fitted with thief deterrent clutch head screws



Swinglock for Metal Windows



Metal Window Lock

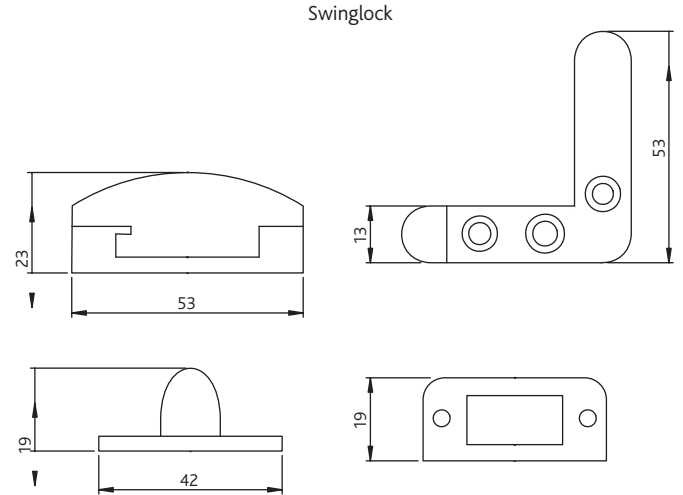


Flush Pivot Lock

## Additional High Security Window Locks

### Ordering Details

Product	Part No. Retail Boxed Version
<b>Swinglock Wooden Window - Standard Key</b>	
White	809-171PK
White - 2 per box	809-172PK
Brown	809-27
<b>Swinglock Metal Window - Standard Key</b>	
White - 2 per card	903-12
<b>Metal Window Lock - Cut Key</b>	
White	901-17
<b>Flush Pivot Lock - Cut Key</b>	
White	902-17



### Packaging

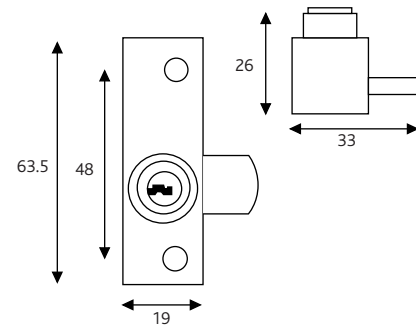
**Swinglock Wooden Windows**  
Cardboard packaging with euro hooks. 1 per retail box, 5 retail boxes per outer box. 0.17Kg per item, 0.85Kg per outer box.

**Swinglock Metal Windows**  
2 per card, 10 per outer box. 0.34Kg per item, 3.4Kg per outer box.

**Metal Window Lock**  
Cardboard packaging with euro hooks. 1 per retail box, 5 retail boxes per outer box. 0.14Kg per item, 0.7Kg per outer box.

**Flush Pivot Lock**  
Cardboard packaging with euro hooks. 1 per retail box, 5 retail boxes per outer box. 0.22Kg per item, 1.1Kg per outer box.

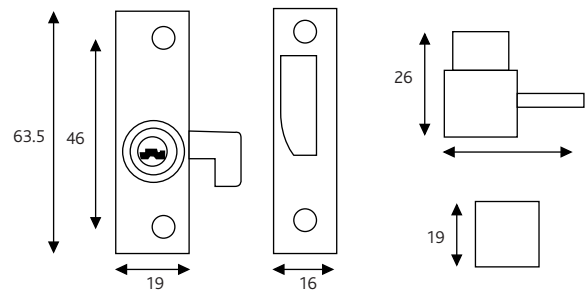
Metal Window Lock



### Maintenance

The pivot point should be lightly lubricated twice a year and the surface cleaned with a soft cloth to remove any dust or grime. The product should be periodically adjusted and the fixings tightened to ensure a satisfactory operation

Flush Pivot Lock



All dimensions are in mm.

ERA reserves the right to change specification without notice.

It is the responsibility of the window manufacturer to ensure that the finished product meets any required safety and performance specification