

Additional High Security Window Locks



Sash Window Screw Locks (Dual Screw)



Sash Window Bolt - Cut Key Version

Features

Sash Window Screw Locks (Dual Screw)

- Fits most sash windows
- Concealed when fitted offering added security
- Lock uses a key operated locking pin in brass bushes

Sash Window Bolt

- Suitable for most types of timber windows including casement, side hung, top hung and sash windows
- Simply press the spring bolt to lock and use the key to unlock
- Plugs conceal and protect the fixing screws
- The rotating steel bolt resists hacksawing
- Available with either a cut or standard key

ERA Sash Lock

- Fits most sash windows
- Constructed of steel, it provides a locking window stop which secures the window in the closed position using a standard key



Sash Window Bolt - Standard Key Version



Sash Lock

Additional High Security Window Locks

Ordering Details

Product	Part No.
Sash Window Screw Locks (Dual Screw) - Standard Key	
Brass - 2 per card	826-32
Brass - 6 per card	826-33
Spare key for Dual Screw	584-56
Sash Window Bolt- Cut Key	
White	804-12
Brown	804-22
Brassed	804-32
Sash Window Bolt - Standard Key	
White	803-12
Brown	803-22
Sash Window Bolt - Cut Key (flat plate)	
White	854-12
Brown	854-22
Sash Window Bolt - Standard Key (flat plate)	
White	853-12
Brown	853-22
Sash Lock- Standard Key	
Brass - 2 per card	822-32
Satin - 2 per card	822-52
Spare key for Sash Lock	582-56

Maintenance

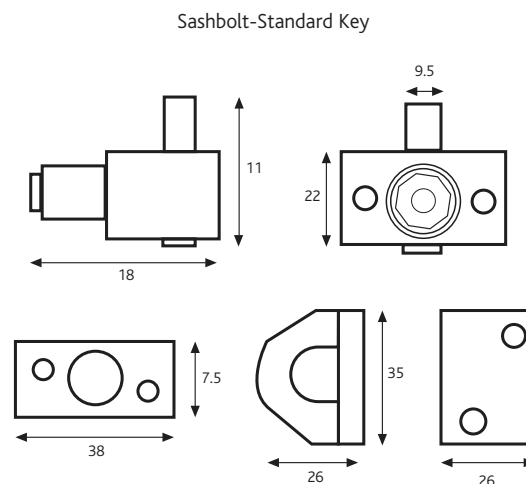
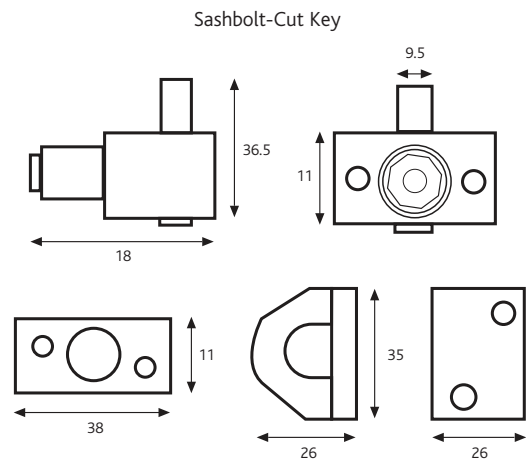
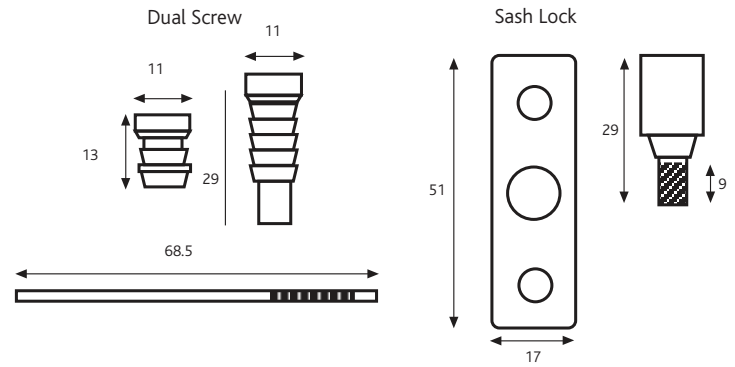
The pivot point should be lightly lubricated twice a year and the surface cleaned with a soft cloth to remove any dust or grime. The product should be periodically adjusted and the fixings tightened to ensure a satisfactory operation

Packaging

Sash Window Screw Locks:
2 or 6 per bag/clam, 20 per box. 10 per box.

Sash Window Bolt
1 per clam, 10 per box

Sash Lock
1 per clam, 10 per box



All dimensions are in mm.
ERA reserves the right to change specification without notice.
It is the responsibility of the window manufacturer to ensure that the finished product meets any required safety and performance specification