

## Charisma Cockspur



### Features

- Traditional locking solution for windows offering basic security
- Contemporary design with superb styling for all types of casement windows
- Designed with a slender grip, a high quality locking cylinder and a simple release button
- Locks automatically on closing, the handle is released by depressing the button, or deadlocked for added security
- Available in two alternative nose heights, 12mm and 21mm; together with a selection of striker wedges to suit various profile designs
- Range of finishes including Gold, White, Black and Satin Chrome
- Locking and non locking versions, right and left handed

### Technical Information

#### Corrosion resistance

Meets the requirements of BS EN 1670:2007 Grade 3 (96 hours)

#### Performance

Endurance tested in excess of 25,000 cycles

### Material Specification

Handle Grip & Back Plate:	Zinc Alloy Castings to BS EN 12844:1999
Coatings:	White and Black Powder Paint Polished Gold Satin Chrome Plate electroplated to BS EN12540:2000
Cylinder:	Zinc Alloy Casting and Nickel Plate
Button:	Acetal (POM) Black
Striker Wedges:	Nylon (White or Black)
Screw Cover:	Push to fit Black or White elastomer Self adhesive Gold or Silver anodised aluminium

## Charisma Cockspur

### Ordering Details

12mm Nose Height		Part No.
Finish	Locking LH	Locking RH
White	WHCSWH12LLBW	WHCSWH12RLBW
Black	WHCSBK12LLBB	WHCSBK12RLBB
Polished Gold	WHCSMG12LLBB	WHCSMG12RLBB
Satin Chrome	WHCSSP12LLBB(A)	WHCSSP12RLBB(A)

21mm Nose Height		Part No.
Finish	Locking LH	Locking RH
White	WHCSWH21LLBW	WHCSWH21RLBW
Black	WHCSBK21LLBB	WHCSBK21RLBB
Polished Gold	WHCSMG21LLBB	WHCSMG21RLBB
Satin Chrome	WHCSSP21LLBB	WHCSSP21RLBB

12mm Nose Height		Part No.
Finish	Non-Locking LH	Non-Locking RH
White	WHCSWH12LNBB	WHCSWH12RNBB
Black	WHCSBK12LNBB	WHCSBK12RNBB
Polished Gold	WHCSMG12LNBB	WHCSMG12RNBB
Satin Chrome	WHCSSP12LNBB(A)	WHCSSP12RNBB(A)

21mm Nose Height		Part No.
Finish	Non-Locking LH	Non-Locking RH
White	WHCSWH21LNBB	WHCSWH21RNBB
Black	WHCSBK21LNBB	WHCSBK21RNBB
Polished Gold	WHCSMG21LNBB	WHCSMG21RNBB
Satin Chrome	WHCSSP21LNBB	WHCSSP21RNBB

Striker Wedges		
Finish	White	Black
3mm	WAWDNA5027	WAWDBL5027
4mm	WAWDNA5080	WAWDLB5080
5mm	WAWDNA5004	WAWDBL5004
6mm	WAWDNA5142	WAWDBL5142
9.5mm	WAWDNA5521	WAWDBL5521
12.5mm	WAWDNA6058	WAWDBL6058

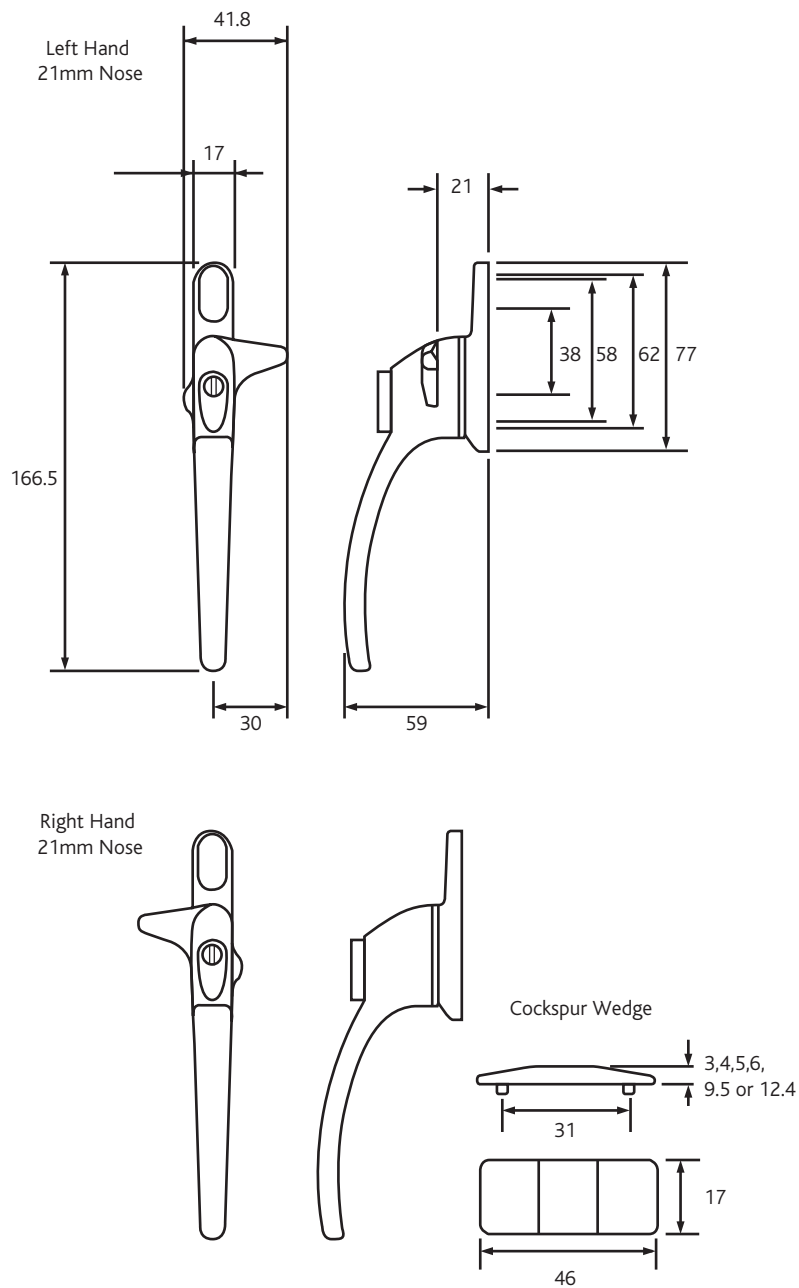
Accessories		
Keys	Screw Covers (Self Adhesive)	Screw Covers (Push to Fit)
WAKENK5877	Gold: WACCPG6041 Silver: WACCSA6041	White: WACCWH6040 Black: WACCB6040

### Packaging

**Handles**  
25 handles per box

---

**Striker Wedges**  
100 per bag



All dimensions are in mm.  
ERA reserves the right to change specification without notice.  
It is the responsibility of the window manufacturer to ensure that the finished product meets any required safety and performance specification

### Maintenance

All handles should be lightly lubricated twice a year and the surface cleaned with a soft damp cloth to remove any dust or grime, taking care not to scratch the surface finish