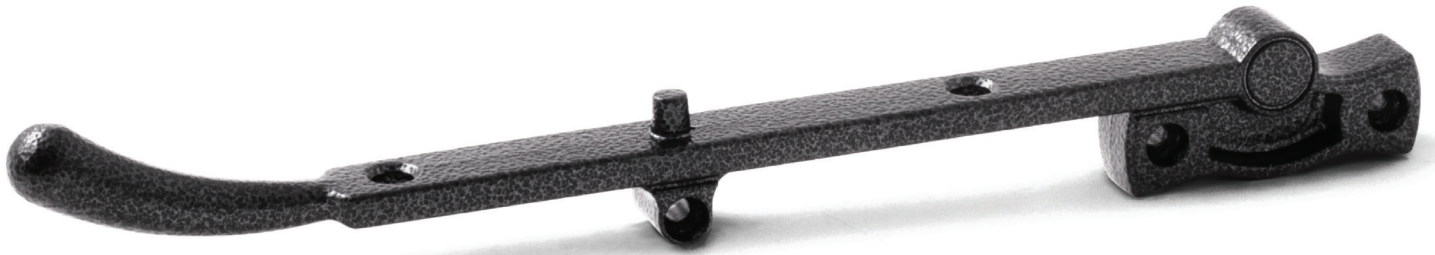


Tear Drop Dummy Stay Bar

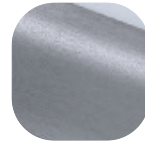


Features

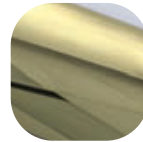
- **Elegant design inspired by 19th century ironmongery**
Classic finish to a heritage window
- **Dummy stay bar suitable for both left and right handed windows**
Reduced stock holding
- **Manufactured from die-cast zinc with specially formulated finish**
Harder wearing finish than traditional wrought iron furniture
- **Matching Tear Drop Handle also available**
Create a perfectly matching heritage window
- **Supplied with colour coordinated screws**
Perfectly matching hardware, even down to the smallest detail



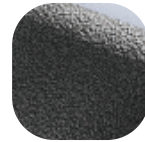
Hardex
Chrome



Hardex
Graphite



Hardex
Gold



Antique
Black

Tear Drop Dummy Stay Bar

Ordering Details	
Product	
Tear Drop Dummy Stay Bar 10"	
Finish	Part No.
Hardex Chrome	8A111
Hardex Gold	8A112
Hardex Graphite	8A110
Antique Black	8A109

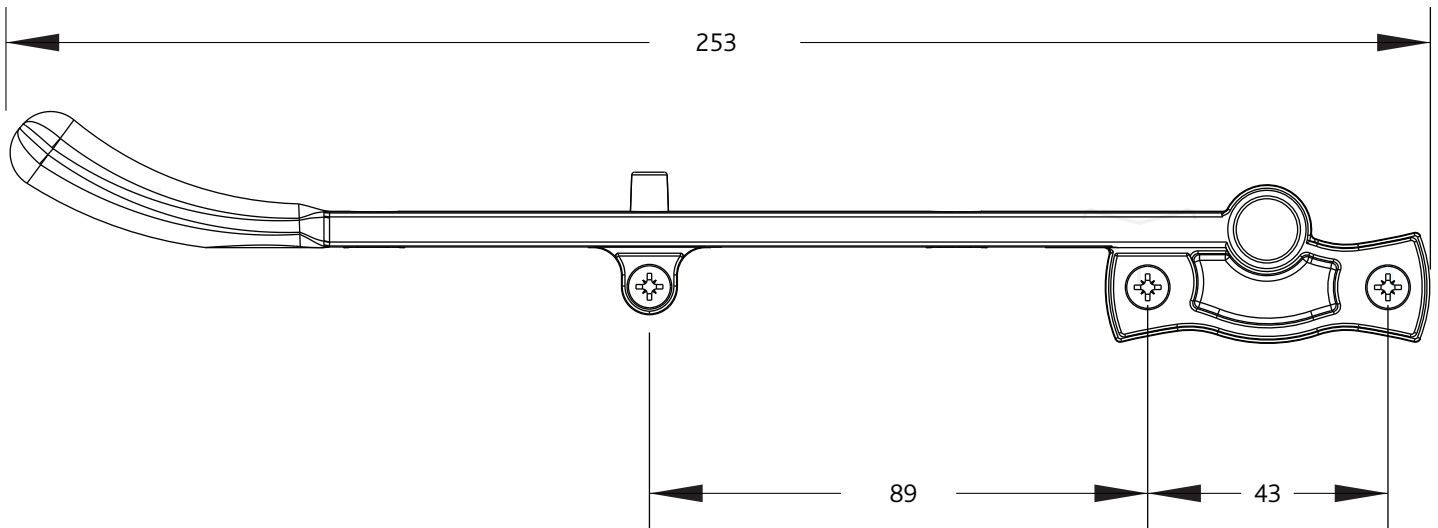
Maintenance

For continued protection of the quality finish and appearance, we advise routine cleaning of all our external hardware. We recommend wiping it with a clean cloth soaked in warm water and mild detergent every month. Please refrain from using heavy-duty cleaners, containing Chlorine or Potassium. Moving parts should also be lightly lubricated using a light non-acidic mineral oil (e.g., "3 in 1") at least twice per year. The product may need to be adjusted and fixings tightened to ensure a satisfactory operation. This procedure is particularly essential if products are used within a 25-mile radius of coastal areas or close proximity to building sites or large industrial areas, where more frequent cleaning may be required to prevent the accumulation of corrosive contaminants.

Technical Information	
Corrosion resistance Meets the requirements of BS EN 1670:2007 Grade 5 (480 hours)	
Material Specification	
Stay Bar and Plates:	High quality Zinc for all finishes
Coatings:	Hardex Chrome, Gold, Graphite and Antique Black

Packaging

Stay Bars
Individually bagged with screws and care instructions.
40 stay bars in an outer box.



All dimensions are in mm and are nominal.
Fab&Fix reserves the right to change specification without notice
It is the responsibility of the window manufacturer to ensure that the finished product meets any required safety and performance specification.