

## Monkey Window Tail Handle

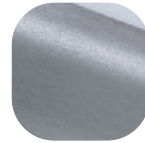


### Features

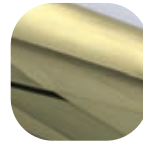
- **Elegant design inspired by 19th century ironmongery**  
Classic finish to a heritage window
- **Strength tested to equivalent of a modern espagnolette window handle**  
Stronger espagnolette operator
- **Manufactured from die-cast zinc with specially formulated finish**  
Harder wearing finish than traditional wrought iron furniture
- **Key locking**  
Security Enabled
- **Matching Monkey Tail Dummy Stay also available**  
Creating perfectly matching heritage window



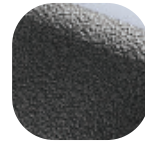
Hardex  
Chrome



Hardex  
Graphite



Hardex  
Gold



Antique  
Black

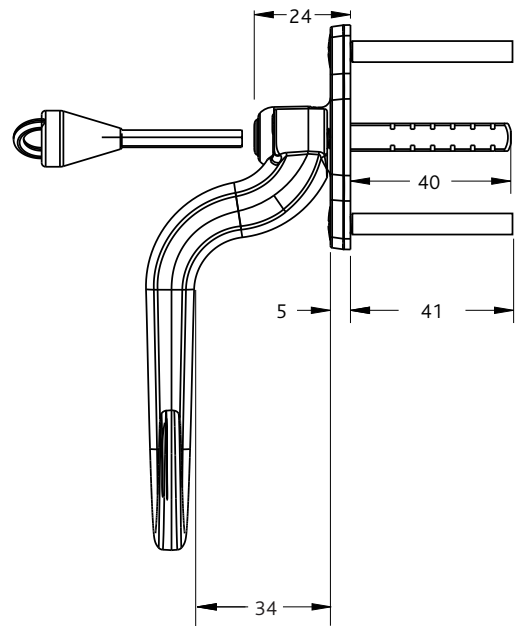
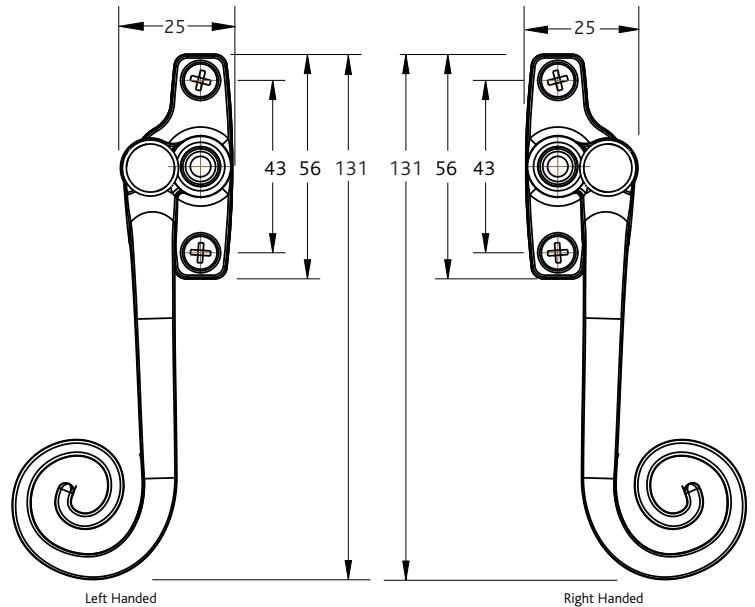
# Monkey Tail Window Handle

Ordering Details		
Product		
<b>Monkey Tail Window Handle</b>		
Finish	Part No.	
<b>40mm Spindle</b>	<b>Left Hand</b>	<b>Right Hand</b>
Hardex Chrome	8A077	8A078
Hardex Gold	8A075	8A076
Hardex Graphite	8A071	8A072
Antique Black	8A069	8A070
<b>55mm Spindle</b>	<b>Left Hand</b>	<b>Right Hand</b>
Hardex Chrome	8A128	8A129
Hardex Gold	8A126	8A127
Hardex Graphite	8A124	8A125
Antique Black	8A122	8A123

Technical Information	
<b>Corrosion resistance</b>	Meets the requirements of BS EN 1670:2007 Grade 5 (480 hours)
<b>Operation</b>	Tested to 25,000 cycles
Material Specification	
Handle:	High quality Zinc for all finishes
Coatings:	Hardex Chrome, Hardex Graphite, Hardex Gold and Antique Black

Maintenance
For continued protection of the quality finish and appearance, we advise routine cleaning of all our external hardware. We recommend wiping it with a clean cloth soaked in warm water and mild detergent every month. Please refrain from using heavy-duty cleaners, containing Chlorine or Potassium. Moving parts should also be lightly lubricated using a light non-acidic mineral oil (e.g., "3 in 1") at least twice per year. The product may need to be adjusted and fixings tightened to ensure a satisfactory operation. This procedure is particularly essential if products are used within a 25-mile radius of coastal areas or close proximity to building sites or large industrial areas, where more frequent cleaning may be required to prevent the accumulation of corrosive contaminants.

Packaging
<b>Handles</b>
Individually bagged with screws and care instructions. 40 handles in an outer box.



All dimensions are in mm and are nominal.  
 Fab&Fix reserves the right to change specification without notice  
 It is the responsibility of the window manufacturer to ensure that the finished product meets any required safety and performance specification.