

Espagnolette Bar for Easy Reach



Features

- Designed to be quick to install and a low cost hardware solution for all types of casement windows
- Ideal for use in kitchens or bathrooms where the window handle needs to be positioned lower on the window for ease of reach
- Face fixed locking bar with mushroom cams for excellent weathering performance
- Robust and durable design
- Adjustable mushroom headed cams
- In-line gearbox available in 20mm and 22mm backset options
- Wide range of bar lengths for sash rebates 285mm – 1425mm
- High quality mild steel
- Smooth and positive locking
- Range profile related keeps
- 10 year performance guarantee

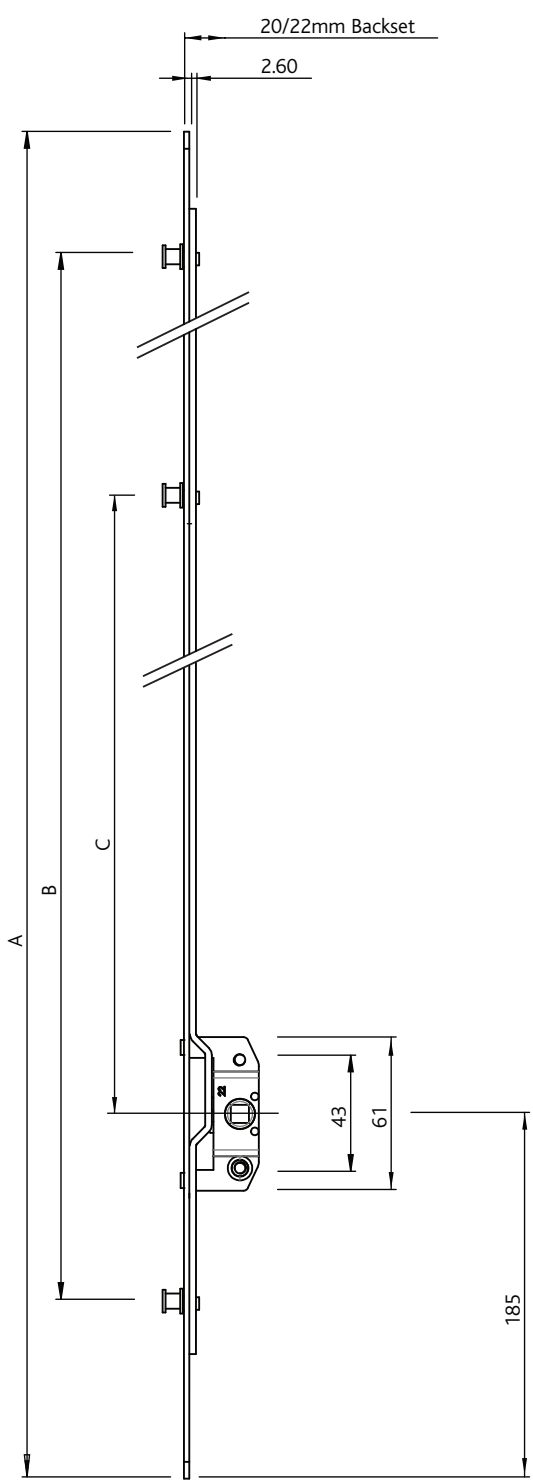


Espagnolette Bar for Easy Reach

Ordering Details							
Bar	Backset	Cam Height	A	B	C	Sash Rebate (mm)	No. of Cams
1			600mm	480mm	-	625-825	2
2	20mm		800mm	680mm	-	825-1025	2
3	or	8mm	1000mm	880mm	455mm	1025-1225	3
4	22mm		1200mm	1080mm	555mm	1225-1425	3

Bar	Bar Length	Sash Rebate (mm)	Part Code 20mm Backset	Part Code 22mm Backset
1	600mm	625-825	WLOERT2080600	WLOERT2280600
2	800mm	825-1025	WLOERT2080800	WLOERT2280800
3	1000mm	1025-1225	WLOERT2081000	WLOERT2281000
4	1200mm	1225-1425	WLOERT2081200	WLOERT2281200

Profile	Part Code
Duraflex Diamond (65mm)	WWKRG18911
Liniar (70mm)	WWKRG18920
Timber	WWKRG18841A



Technical Information	
Corrosion resistance	Meets the requirements of BS EN 1670:2007 Grade 4 (240 hours)
Operation	Tested in excess of 25,000
Material Specification	
Bar:	High quality zinc, Zinc plated, Trivalent passivated and seal
Keeps:	High quality steel, Zinc plated, Trivalent passivated and seal or composite

Packaging	
Locks:	20 locks per box
Keeps:	20 keeps per box

Maintenance

All moving parts should be lightly lubricated using a light non-acidic mineral oil (e.g. "3 in 1") twice per year and the surface cleaned with a soft damp cloth. The product may need to be adjusted and fixings tightened to ensure a satisfactory operation.

Diagram not to scale. All dimensions are in mm and are nominal. ERA reserves the right to change specification without notice. It is the responsibility of the window manufacturer to ensure that the finished product meets any required safety and performance specification.