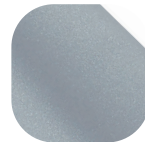


## Guru Non Locking



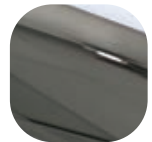
- **Solid die cast Zinc construction**  
Heavyweight handle with sturdy feel
- **Classic design with a contemporary twist**  
Create an elegant and stylish window
- **Patented cover caps with colour coordinated finish**  
Perfectly matching hardware, even down to the smallest details
- **Dedicated non locking handle**  
Conforms to building regulations for non locking windows
- **Slimline and standard keeps available**  
Compatible with various frame section configurations



Premium  
Satin



Hardex  
Chrome



Hardex  
Bronze



Hardex  
Gold



White

## Guru Non Locking

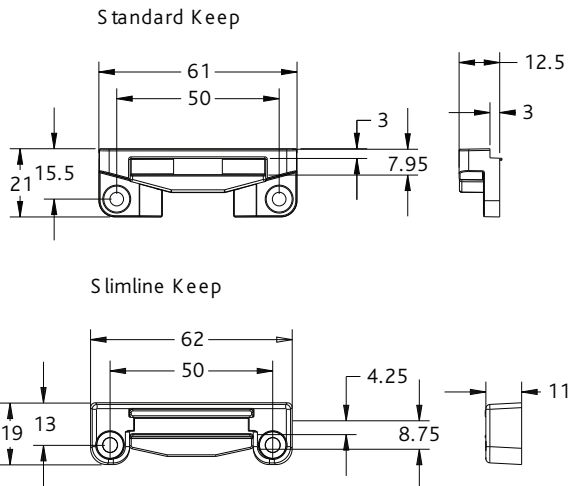
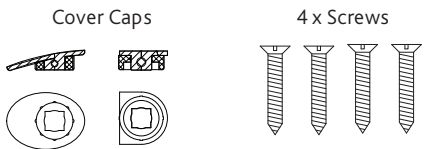
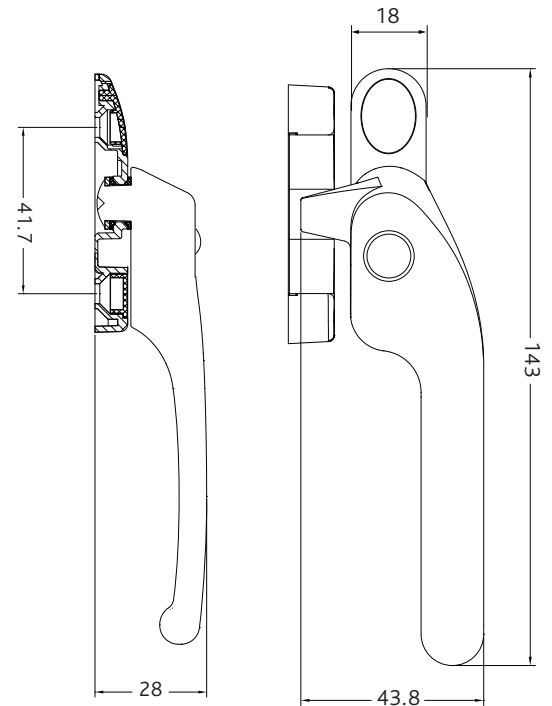
Ordering Details		
Product		
<b>Guru Non Locking</b>		
Finish	Part No.	
<b>Handle</b>	<b>Right Hand</b>	<b>Left Hand</b>
Hardex Chrome	0H201	0H301
Hardex Bronze	0H203	0H303
Hardex Gold	0H205	0H305
White	0H200	0H300
Premium Satin	WHAGBPSRN	WHAGBPSLN
<b>Keeps</b>	<b>Standard</b>	<b>Slimline</b>
Hardex Chrome	0H401	0H501
Hardex Bronze	0H403	0H503
Hardex Gold	0H405	0H505
White	0H400	0H500
Premium Satin	WHKGBPSSTD	WHKGBPSSLIM

For additional part numbers please contact our sales office.

Technical Information	
<b>Corrosion resistance</b>	Meets the requirements of BS EN 1670:2007 Grade 5 (480 hours)
<b>Operation</b>	Endurance tested in excess of 50,000 cycles
<b>Performance</b>	Tested to meet the requirements of PAS 24 as part of a compliant window
Material Specification	
Handle Grip and Backplate:	High quality Zinc for all finishes
Coatings:	Hardex Chrome, Hardex Bronze, Hardex Gold and White

Maintenance
For continued protection of the quality finish and appearance, we advise routine cleaning of all our external hardware. We recommend wiping it with a clean cloth soaked in warm water and mild detergent every month. Please refrain from using heavy-duty cleaners, containing Chlorine or Potassium. Moving parts should also be lightly lubricated using a light non-acidic mineral oil (e.g., "3 in 1") at least twice per year. The product may need to be adjusted and fixings tightened to ensure a satisfactory operation. This procedure is particularly essential if products are used within a 25-mile radius of coastal areas or close proximity to building sites or large industrial areas, where more frequent cleaning may be required to prevent the accumulation of corrosive contaminants.

Packaging
<b>Handles</b> Individually bagged with screws and care instructions. 40 handles in an outer box.



All dimensions are in mm and are nominal.  
Fab&Fix reserves the right to change specification without notice.  
It is the responsibility of the window manufacturer to ensure that the finished product meets any required safety and performance specification.