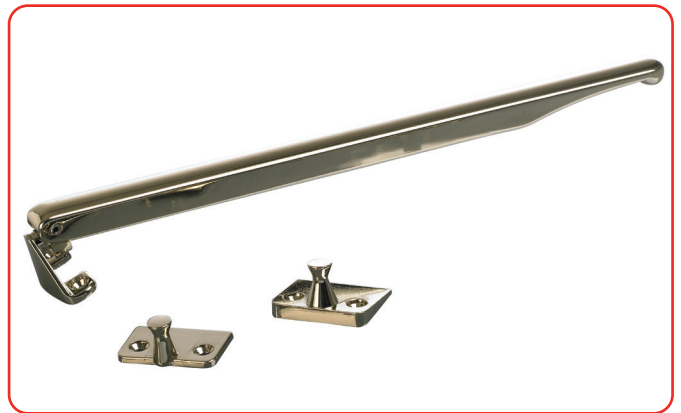


## Craftsman Casement Stay Bar Non Locking



### Features

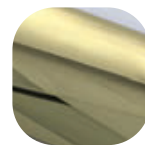
- **Solid die cast Zinc construction**  
Heavyweight stay bar with sturdy feel
- **Classic design with a contemporary twist**  
Create an elegant and stylish window
- **Matching casement fastener available**  
Perfectly matching hardware for every application
- **Supplied with colour matching screws**  
Perfectly matching hardware, even down to the smallest details
- **Non handed**  
Universal handle suitable for left and right handed windows, reduces stock holding



Hardex  
Chrome



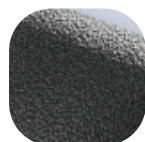
Hardex  
Bronze



Hardex  
Gold



White



Antique  
Black



Black

## Craftsman Casement Stay Non Locking

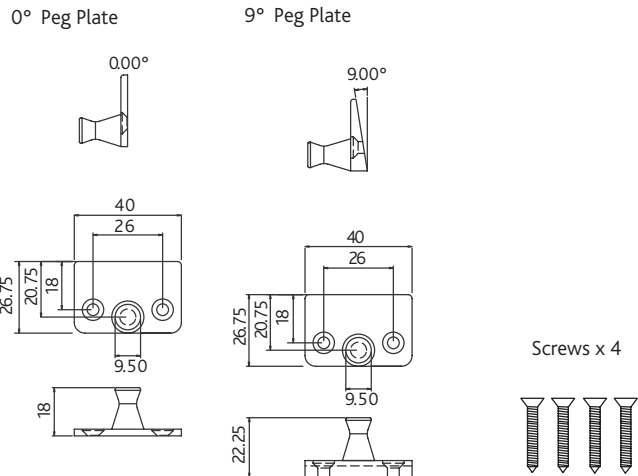
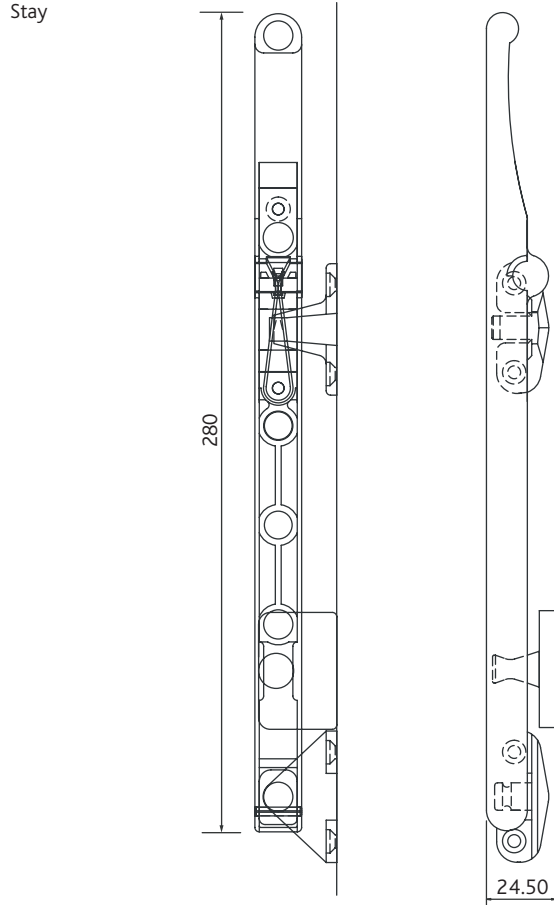
Ordering Details	
Product	
Craftsman Casement Stay Bar Non Locking	
Finish	Part No.
Hardex Chrome	OJ301
Hardex Satin	OJ302
Hardex Bronze	OJ303
Hardex Gold	OJ305
Antique Black	OJ306
White	OJ300
Black	8A049

For additional part numbers please contact our sales office.

Technical Information	
<b>Corrosion resistance</b> Meets the requirements of BS EN 1670:2007 Grade 5 (480 hours)	
Material Specification	
Stay Bar and Plates:	High quality Zinc for all finishes
Coatings:	Hardex Chrome, Satin, Bronze, Gold, Antique Black, White and Black.

Maintenance	
For continued protection of the quality finish and appearance, we advise routine cleaning of all our external hardware. We recommend wiping it with a clean cloth soaked in warm water and mild detergent every month. Please refrain from using heavy-duty cleaners, containing Chlorine or Potassium. Moving parts should also be lightly lubricated using a light non-acidic mineral oil (e.g., "3 in 1") at least twice per year. The product may need to be adjusted and fixings tightened to ensure a satisfactory operation. This procedure is particularly essential if products are used within a 25-mile radius of coastal areas or close proximity to building sites or large industrial areas, where more frequent cleaning may be required to prevent the accumulation of corrosive contaminants.	

Packaging	
<b>Stay Bars</b> Individually bagged with screws and care instructions. 40 stay bars in an outer box.	



All dimensions are in mm and are nominal.  
Fab&Fix reserves the right to change specification without notice  
It is the responsibility of the window manufacturer to ensure that the finished product meets any required safety and performance specification.