

Connoisseur Inline Non Locking

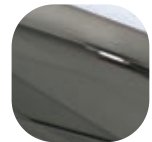


Features

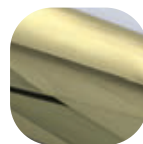
- Solid die cast construction**
 Heavyweight handle with sturdy feel
- Heavy duty sprung latching wedge**
 Positive click on closing
- Long handle**
 Greater leverage and easy to operate without catching a hand on the window
- Classic design with a contemporary twist**
 Create an elegant and stylish window
- Patented cover caps with colour coordinated finish**
 Perfectly matching components, even down to the smallest details
- Slotted spindle (40mm version only)**
 Allows cropping to 5mm increments
- Dedicated non locking handle**
 Conforms to building regulations for non locking windows
- Supplied with screw and spindle pack**
 Everything needed for installation included



Hardex Chrome



Hardex Bronze



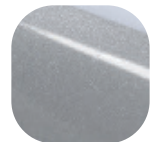
Hardex Gold



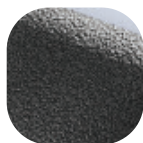
White



Black



Silver



Antique Black

Connoisseur Inline Non Locking

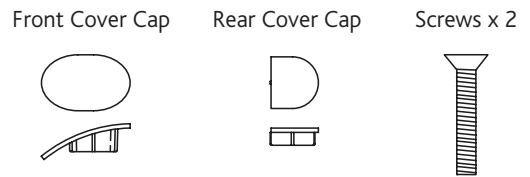
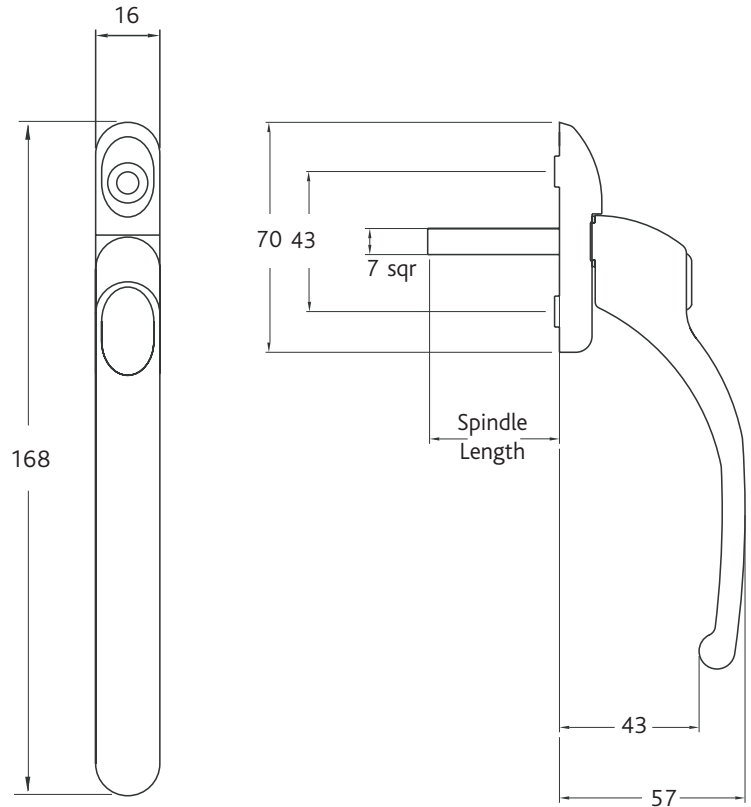
Ordering Details		
Product		
Connoisseur Inline Non Locking		
Finish	Part No.	
Spindle Size	30mm	40mm
Hardex Chrome	0C361	0C381
Hardex Bronze	0C363	0C383
Hardex Gold	0C365	0C385
Antique Black	0C366	0C386
White	0A360	0A380
Black	0A361	0A381
Silver	0A362	0A382

For additional part numbers please contact our sales office.

Technical Information	
Corrosion resistance	Meets the requirements of BS EN 1670:2007 Grade 5 (480 hours)
Operation	Endurance tested in excess of 25,000 cycles
Performance	Tested to meet the requirements of PAS 24 as part of a compliant window
Material Specification	
Handle Grip and Backplate:	High quality Zinc for all Hardex finishes and Antique Black. High quality Aluminium for White, Black and Silver finishes
Coatings:	Hardex Chrome, Hardex Bronze, Gold, Antique Black, White, Black and Silver

Maintenance
For continued protection of the quality finish and appearance, we advise routine cleaning of all our external hardware. We recommend wiping it with a clean cloth soaked in warm water and mild detergent every month. Please refrain from using heavy-duty cleaners, containing Chlorine or Potassium. Moving parts should also be lightly lubricated using a light non-acidic mineral oil (e.g., "3 in 1") at least twice per year. The product may need to be adjusted and fixings tightened to ensure a satisfactory operation. This procedure is particularly essential if products are used within a 25-mile radius of coastal areas or close proximity to building sites or large industrial areas, where more frequent cleaning may be required to prevent the accumulation of corrosive contaminants.

Packaging
Handles Individually bagged with screws, cover caps and care instructions. 10 handles in an inner box, 60 handles in an outer box.



All dimensions are in mm and are nominal.
Fab&Fix reserves the right to change specification without notice.
It is the responsibility of the window manufacturer to ensure that the finished product meets any required safety and performance specification.