

Nu Victorian Urn Medium Face Fix

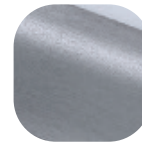


Features

- Classic door knocker design**
 Create an elegant and stylish front door
- Patented face fixing plate works with all major door materials**
 Easy installation; no need to use fixing bolts or to drill through the door (unless using optional viewer)
- Available with or without door viewer aperture**
 Options to neatly conceal the door viewer
- Wide range of viewers and extensions available**
 Cater for all major door depths



Hardex Chrome



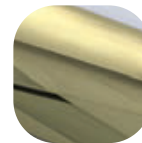
Hardex Graphite



White



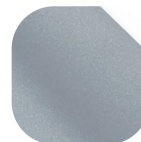
Hardex Bronze



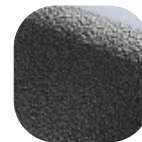
Hardex Gold



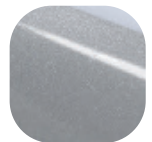
Black



Premium Satin



Antique Black



Silver

Nu Victorian Urn Medium Face Fix

Ordering Details

Product	Part No.	
Nu Victorian Urn Medium Face Fix		
Finish	With Spyhole	Without Spyhole
Hardex Chrome	4A054	4A004
Hardex Bronze	4A056	4A006
Hardex Gold	4A058	4A008
Hardex Graphite	4A061	4A011
Antique Black	4A059	4A009
White	4A050	4A000
Black	4A051	4A001
Silver	4A052	4A002
Premium Satin	DFNKNMUSPPS	DFNKNMUPS

Technical Information

Corrosion resistance
Meets the requirements of BS EN 1670 Grade 5 (480 hours)

Material Specification

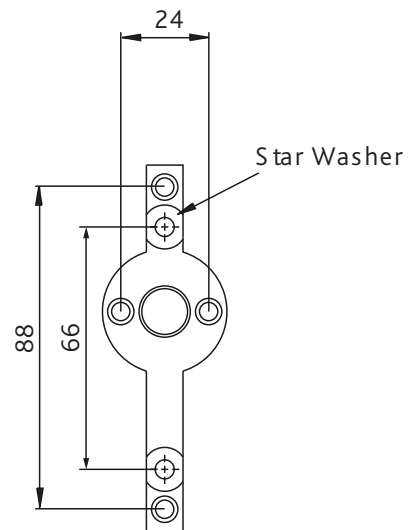
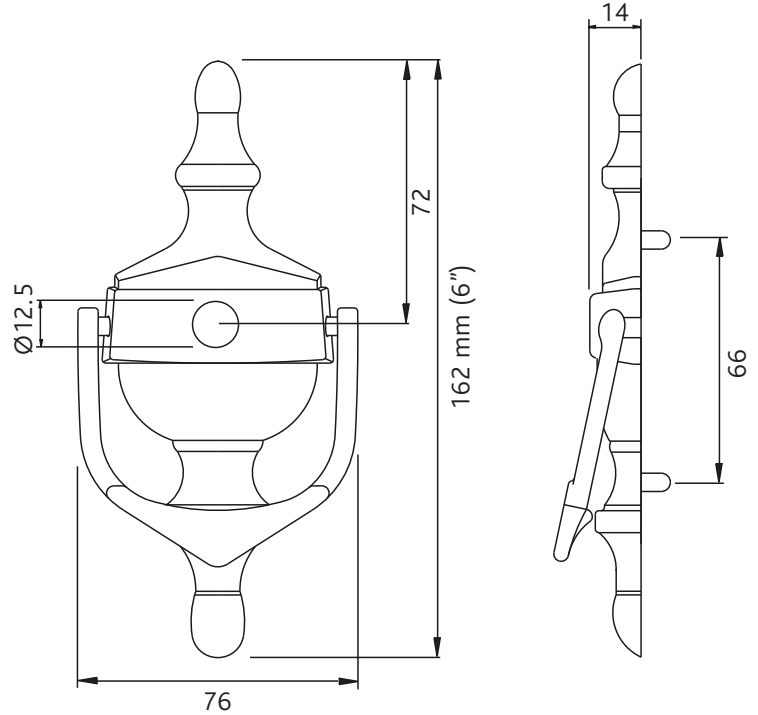
Knocker:	High quality Zinc
Coatings:	Hardex Chrome, Hardex Bronze, Hardex Gold, Hardex Graphite, Antique Black, Premium Satin, White, Black and Silver.

Maintenance

For continued protection of the quality finish and appearance, we advise routine cleaning of all our external hardware. We recommend wiping it with a clean cloth soaked in warm water and mild detergent every month. Please refrain from using heavy-duty cleaners, containing Chlorine or Potassium. Moving parts should also be lightly lubricated using a light non-acidic mineral oil (e.g., "3 in 1") at least twice per year. The product may need to be adjusted and fixings tightened to ensure a satisfactory operation. This procedure is particularly essential if products are used within a 25-mile radius of coastal areas or close proximity to building sites or large industrial areas, where more frequent cleaning may be required to prevent the accumulation of corrosive contaminants.

Packaging

Urn Knocker
Individually boxed with fixings and care instructions.
20 knockers in an outer box.



Fixing Bracket

All dimensions are in mm and are nominal.
Fab&Fix reserves the right to change specification without notice.
It is the responsibility of the door manufacturer to ensure that the finished product meets any required safety and performance specification.