

Viscount 5 Lever Mortice Lock



Features

- Suitable to replace existing 2 and 3 lever door locks
- Offers a long service in demanding situations making the Viscount the ideal choice for the volume user for replacement or new build projects
- Hardened steel rollers in bolt to resist hacksawing
- Sashlock features an easily reversible latch bolt without the removal of the lock cover as well as false notches in the levers to resist lock picking
- 64mm (2½") and 76mm (3") backsets
- Brass Effect, Satin or Chrome Effect finishes available
- Available in a rebated version for French doors
- Rebates sets available in 12.7mm (½") and 25.4mm (1")
- Sashlock Rebate Sets are non-handed to reduce stock holding



Deadlock



Sashlock

Viscount 5 Lever Mortice Lock

Ordering Details

Viscount 5 Lever Deadlock

Finish	Part No. Retail Boxed Version	Part No. Boxed Version
Brass Effect 64mm (2½")	201-37	201-31A
Satin 64mm (2½")	201-57	201-51A
Chrome Effect 64mm (2½")	201-67	201-61A
Brass Effect 76mm (3")	301-37	301-31A
Satin 76mm (3")	301-57	301-51A
Chrome Effect 76mm (3")	301-67	301-61A

Viscount 5 Lever Sashlock

Finish	Part No. Retail Boxed Version	Part No. Boxed Version
Brass Effect 64mm (2½")	202-37	202-31A
Satin 64mm (2½")	202-57	202-51A
Chrome Effect 64mm (2½")	202-67	202-61A
Brass Effect 76mm (3")	302-37	302-31A
Satin 76mm (3")	302-57	302-51A
Chrome Effect 76mm (3")	302-67	302-61A

Viscount 5 Lever Rebated Sashlock

Finish	Part No. Retail Boxed Version
Brass Effect 64mm (2½")	217-37
Satin 64mm (2½")	217-57

Spare Keys

Finish	Part No.
Cut Key	509-56
Key Blank	609-56

Deadlock Rebate Sets

Finish	Part No.
Brass Effect 12.7mm (½") Rebate	434-31
Satin 12.7mm (½") Rebate	434-51
Brass Effect 25.4mm (1") Rebate	435-31
Satin 25.4mm (1") Rebate	435-51

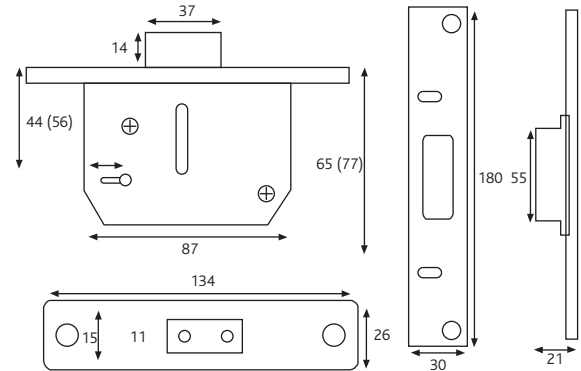
Sashlock Rebate Sets

Finish	Part No.
Brass Effect 12.7mm (½") Rebate	436-31
Satin 12.7mm (½") Rebate	436-51
Brass Effect 25.4mm (1") Rebate	437-31
Satin 25.4mm (1") Rebate	437-51

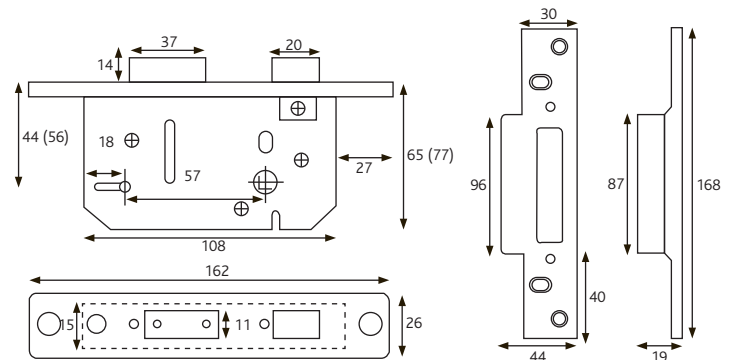
Maintenance

Wipe the surface periodically with a soft cloth to remove excess grease or moisture.

5 Lever Deadlock



5 Lever Sashlock



All dimensions are in mm and are nominal. Numbers in brackets relate to 3" version of lock. Diagram illustrates product in locked position.

ERA reserves the right to change specification without notice. It is the responsibility of the door manufacturer to ensure that the finished product meets any required safety and performance specification.

Packaging

Boxed version

1 lock per inner box, 10 locks per outer box.
0.56Kg per item, 5.6Kg per outer box

Retail Boxed version

Cardboard packaging with euro hooks. 1 lock per retail box, 6 retail boxes per outer box. 0.64Kg per item, 3.84Kg per outer box