

## Replacement Front Door Lock



### Features

- This **Replacement Door Lock** comes with the option of having a deadlocking or non-deadlocking facility on the external cylinder
- Newly designed lock body with larger footprints which will hide most existing marks on the door
- Accidental locking is avoided by a bolt hold back facility on the body of the lock rather than the handle
- Easy grip handle is ideally suited for the elderly
- Available in narrow (40mm) and standard (60mm) sized backsets
- Brass, Satin, Polished Chrome, and White finishes are available with either a Brass or Chrome cylinder



## Replacement Front Door Lock

### Ordering Details

#### 40mm Backset (Narrow Style)

Finish	Part No.	Part No.
	Retail Boxed Version	Boxed Version
Brass Body, Brass Cylinder	1430-37	1430-31
Satin Chrome Body, Brass Cylinder	1430-57	1430-51
Polished Chrome Body, Chrome Cylinder	1430-377	1430-37-1
White Body, Brass Cylinder	-	1430-11

#### 60mm Backset (Standard Style)

Finish	Part No.	Part No.
	Retail Boxed Version	Boxed Version
Brass Body, Brass Cylinder	1630-37	1630-31
Satin Chrome Body, Brass Cylinder	1630-57	1630-51
Polished Chrome Body, Chrome Cylinder	1630-377	1630-37-1
White Body, Brass Cylinder	-	1630-11

### Packaging

#### Boxed version

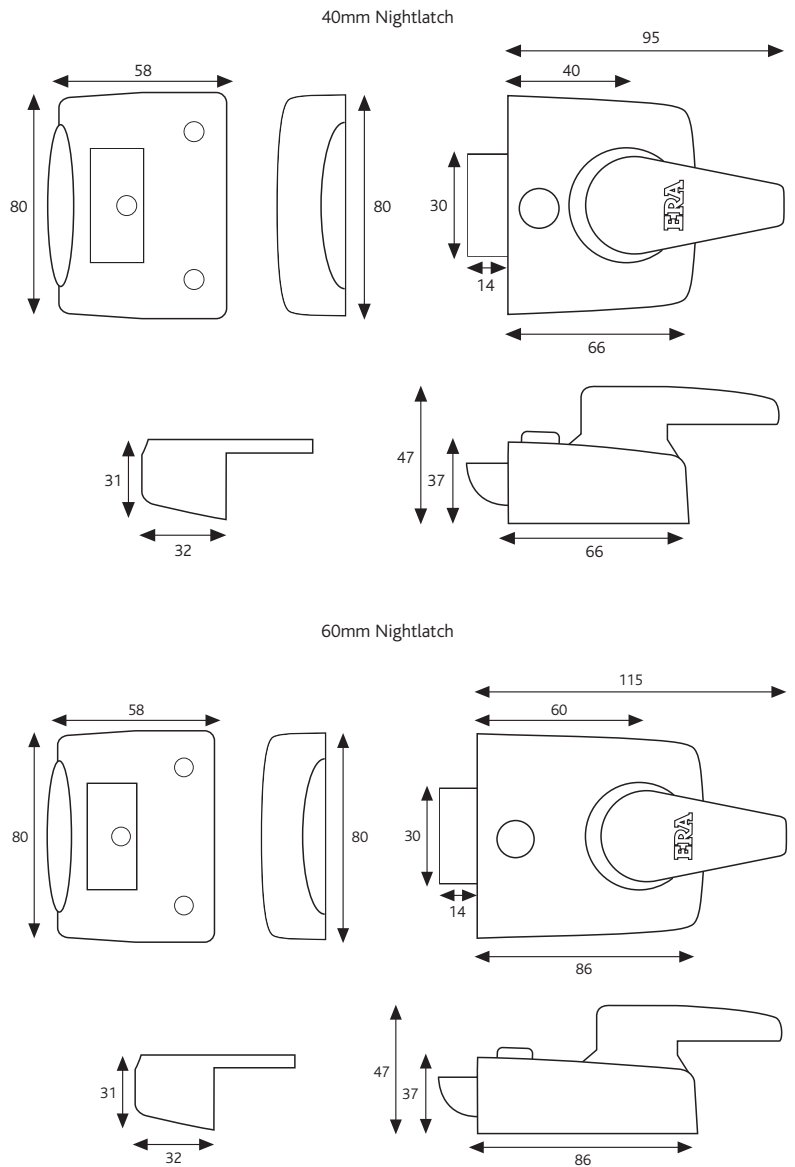
1 lock per inner box, 12 locks per outer box. 0.81Kg (40mm) 0.87Kg (60mm) per item, 9.7Kg (40mm) 10.4Kg (60mm) per outer box.

#### Retail Boxed version

Cardboard packaging with euro hooks. 1 lock per retail box, 6 retail boxes per outer box. 0.81Kg (40mm) 0.87Kg (60mm) per item, 4.9Kg (40mm) 5.2Kg (60mm) per outer box

### Maintenance

Wipe the surface periodically with a soft cloth to remove excess grease or moisture.



All dimensions are in mm and are nominal.  
 ERA reserves the right to change specification without notice.  
 It is the responsibility of the door manufacturer to ensure that the finished product meets any required safety and performance specification.