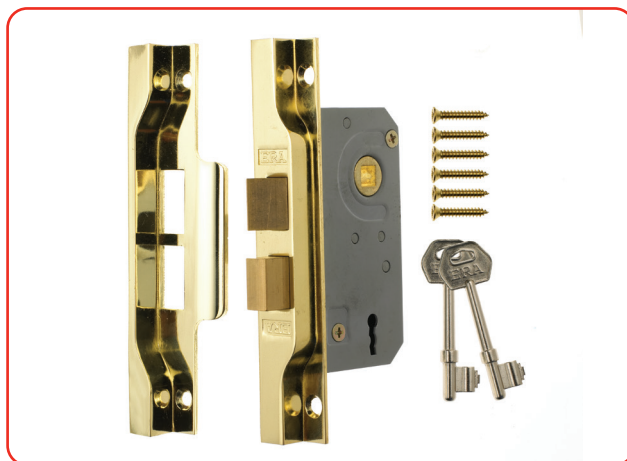


Rebated Door Lock



Features

- Ideally suited for 13mm (½") Rebated French Doors
- The reversible forend and sashbolt allows fixing to both left and right hinged, inward or outward opening doors
- 2 Lever lock is supplied with 2 cut keys
- Brass Effect and Chrome Effect finishes available



Rebated Door Lock

Ordering Details

2 Lever Rebated Sashlock

Finish	Part No. Retail Boxed Version
Brass Effect 64mm (2½")	287-37
Chrome Effect 64mm (2½")	287-67
Brass Effect 76mm (3")	387-37
Chrome Effect 76mm (3")	387-67

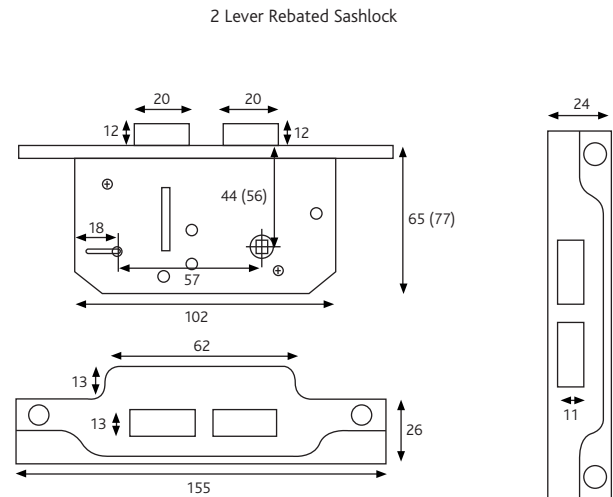
Packaging

Retail Boxed version

Cardboard packaging with euro hooks. 1 lock per retail box, 5 retail boxes per outer box. 0.5Kg per item, 2.5Kg per outer box

Maintenance

Wipe the surface periodically with a soft cloth to remove excess grease or moisture.



All dimensions are in mm and are nominal. Numbers in brackets relate to 3" version of lock. Diagram illustrates product in locked position.

ERA reserves the right to change specification without notice. It is the responsibility of the door manufacturer to ensure that the finished product meets any required safety and performance specification.