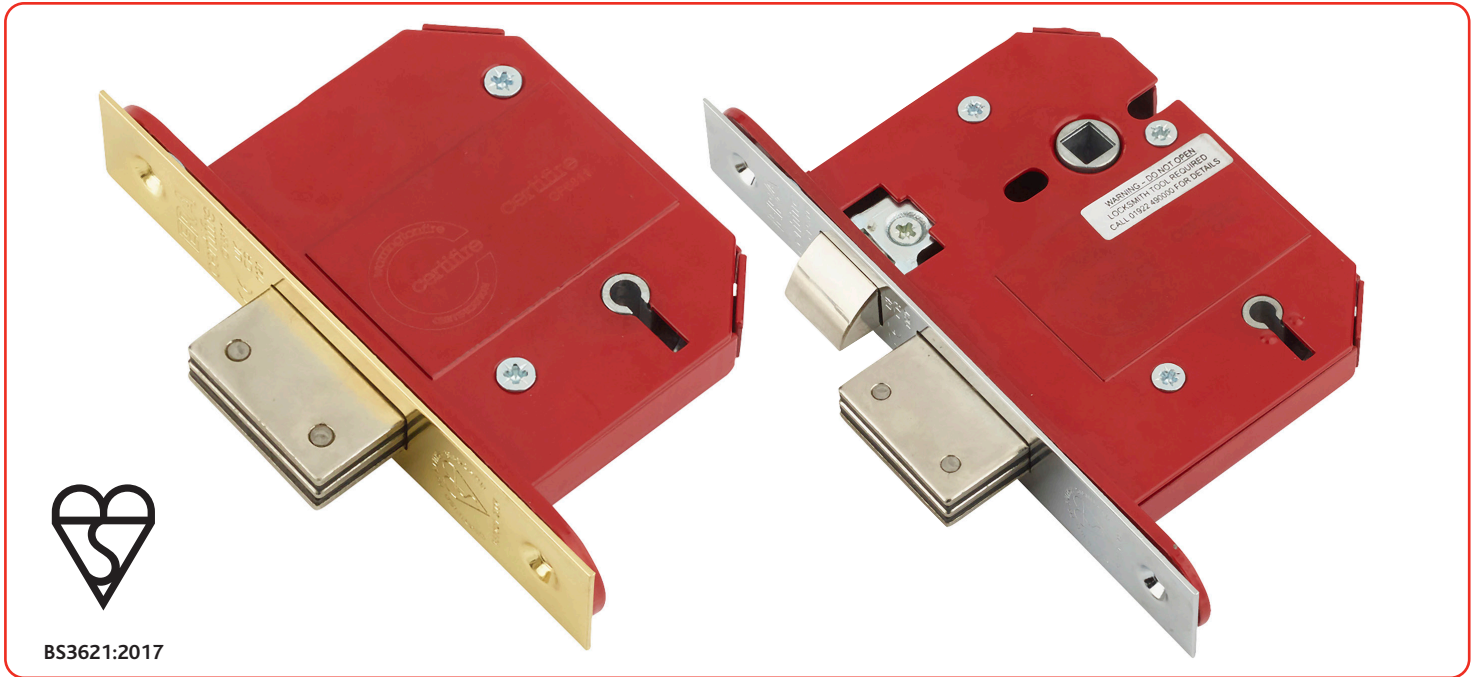


BS High Security Fortress Mortice Lock



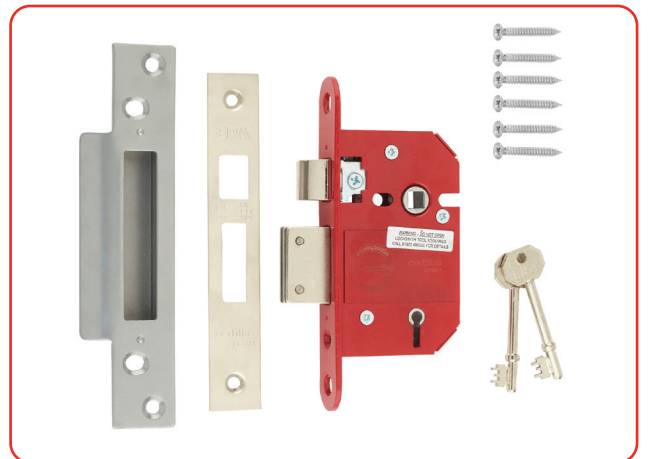
BS3621:2017

Features

- 5 lever British Standard High Security Mortice Lock
- Meets the requirements of BS3621:2017 and is suitable for the demands of the insurance companies and the Police
- High security levels are delivered by a 20mm bolt throw
- Hardened steel plates on both to resist drilling
- Twin hardened steel plates in the Deadbolt resists hacksawing
- Sashlock features an easily reversible latch bolt without the removal of the lock cover
- 1,000 key variations for added security
- Steel levers have false notching to resist lock picking
- 64mm (2½") and 76mm (3") backset options
- Rebates Sets available in 12.7mm (½") and 25.4mm (1")
- Brass Effect, Satin or Chrome Effect finishes available
- CERTIFIRE accredited to ensure compatibility with 30-minute and 60-minute timber based doorsets (BS EN 1634-1 or BS 476: Part 22: 1987), providing a compliant solution to meet the latest legislative standards



Deadlock



Sashlock

BS High Security Fortress Mortice Lock

Ordering Details

Fortress 5 Lever Deadlock

Finish	Part No.	Part No.
	Retail Boxed Version	Boxed Version
Brass Effect 64mm (2½")	261-37	261-31A
Satin 64mm (2½")	261-57	261-51A
Chrome Effect 64mm (2½")	261-67	261-61A
Brass Effect 76mm (3")	361-37	361-31A
Satin 76mm (3")	361-57	361-51A
Chrome Effect 76mm (3")	361-67	361-61A

Fortress 5 Lever Sashlock

Finish	Part No.	Part No.
	Retail Boxed Version	Boxed Version
Brass Effect 64mm (2½")	262-37	262-31A
Satin 64mm (2½")	262-57	262-51A
Chrome Effect 64mm (2½")	262-67	262-61A
Brass Effect 76mm (3")	362-37	362-31A
Satin 76mm (3")	362-57	362-51A
Chrome Effect 76mm (3")	362-67	362-61A

Spare Keys

Finish	Part No.
Cut Key	502-56
Key Blank	602-56

Deadlock Rebate Sets

Finish	Part No.
Brass Effect 12.7mm (½") Rebate	426-31
Satin 12.7mm (½") Rebate	426-51
Chrome Effect 12.7mm (½") Rebate	426-61
Brass Effect 25.4mm (1") Rebate	427-31
Satin 25.4mm (1") Rebate	427-51
Chrome Effect 25.4mm (1") Rebate	427-61

Sashlock Rebate Sets

Finish	Part No.
Brass Effect 12.7mm (½") Rebate	428-31
Satin 12.7mm (½") Rebate	428-51
Chrome Effect 12.7mm (½") Rebate	428-61
Brass Effect 25.4mm (1") Rebate	429-31
Satin 25.4mm (1") Rebate	429-51
Chrome Effect 25.4mm (1") Rebate	429-61

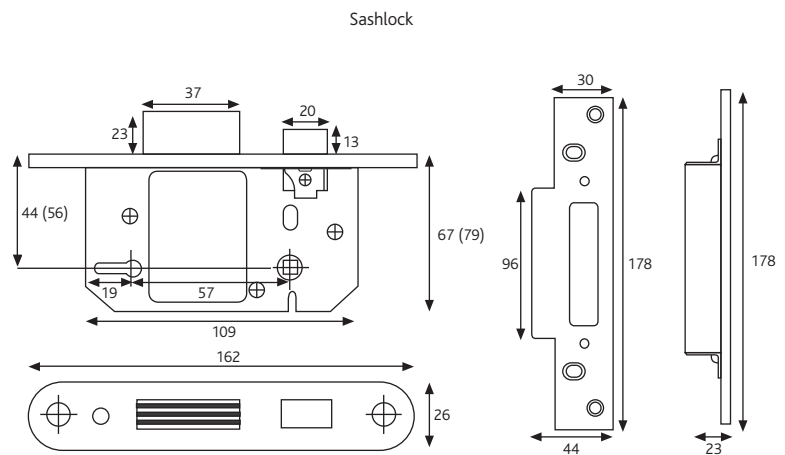
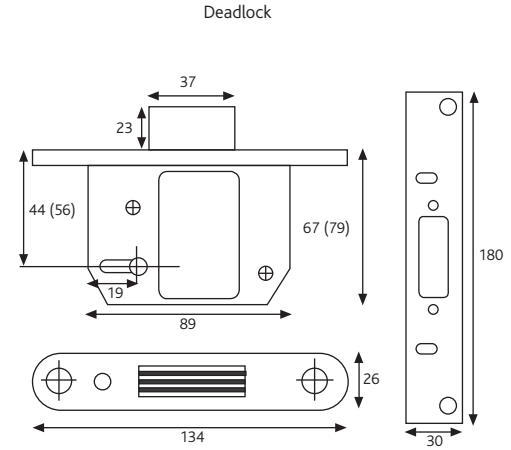
Important: When a rebate set is fitted with a British Standard mortice lock, the Kitemark insurance accreditation will become void, meaning that the product will no longer be covered by an insurance policy if declared.

Locksmith Kit

502102-00

Maintenance

Wipe the surface periodically with a soft cloth to remove excess grease or moisture. All moving parts should be lightly lubricated using a light non-acidic mineral oil (e.g. "3 in 1") at least twice per year. The product may need to be adjusted and fixings tightened to ensure a satisfactory operation.



All dimensions are in mm and are nominal. Numbers in brackets relate to 3" version of lock. Diagram illustrates product in locked position. ERA reserves the right to change specification without notice. It is the responsibility of the door manufacturer to ensure that the finished product meets any required safety and performance specification.

Packaging

Boxed version

1 lock per inner box, 10 locks per outer box.
0.84Kg per item, 8.4Kg per outer box

Retail Boxed version

Cardboard packaging with euro hooks. 1 lock per retail box, 5 retail boxes per outer box. 0.88Kg per item, 4.4Kg per outer box

Classification Codes

Deadlock

1121 - AG5055
BS EN 12209:2003
3H510F7KD0B

Sashlock

1121 - AG5056
BS EN 12209:2003
3H510F7KD2B