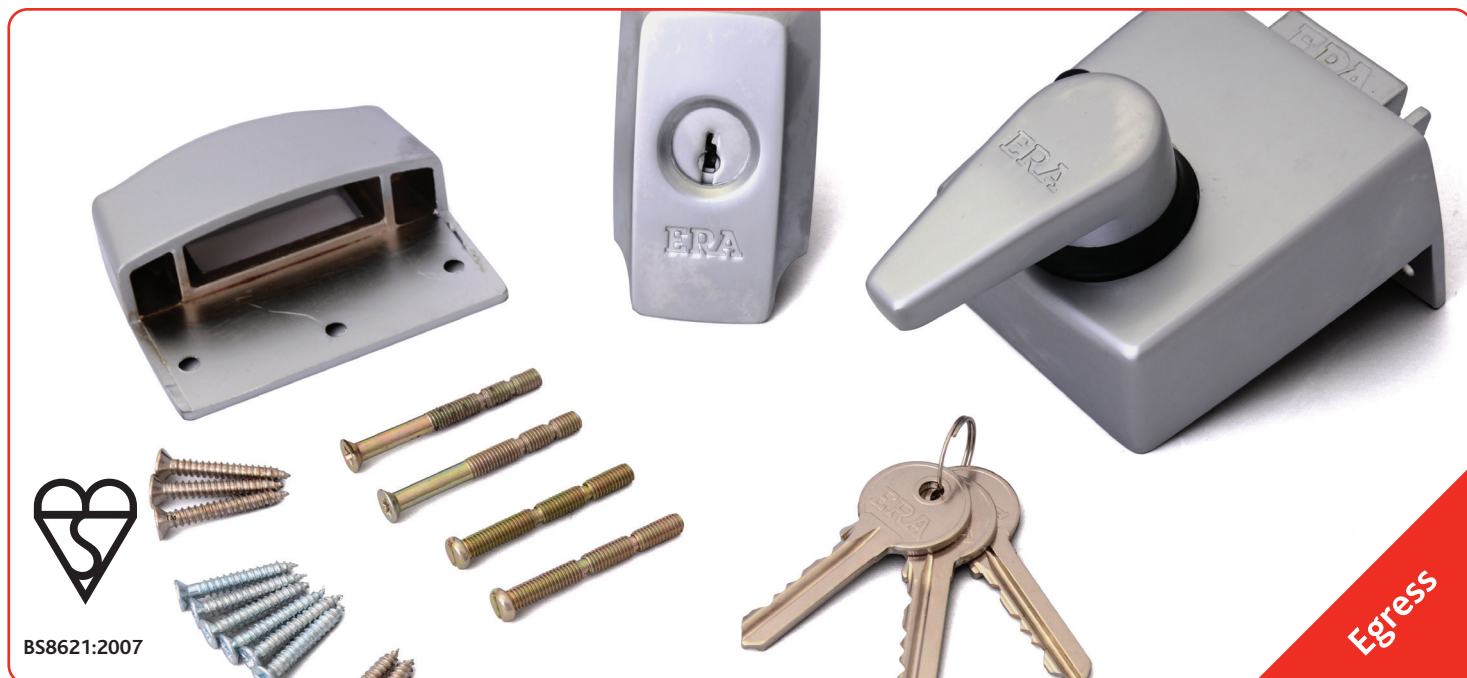


BS Keyless Egress Nightlatch



Features

- This **British Standard Keyless Egress Nightlatch** overcomes the conflict between a secure British Standard accredited front door lock and fire safety recommendations
- The BS 8621:2007 standard mirrors the BS3621:2007 but is for 'escape' locks
- Classified as provided keyless egress at all times, which applies where there is a requirement for an easy action method of opening an external door from the inside without the need for keys or similar devices to unlock
- Especially relevant for entrance doors in multi-residential and other buildings
- The keyless lever on the inside of the door ensures it is possible to make an emergency escape in the event of a fire
- Available in 40mm and 60mm backsets
- Brass Effect, Satin Chrome, Polished Chrome, Satin Nickel and Black finishes are available



BS Keyless Egress Nightlatch

Ordering Details

40mm Backset (Narrow Style)

Finish	Part No. Boxed Version
Brass Body, Brass Cylinder	1530-31
Satin Chrome Body, Satin Cylinder	1530-35-1
Polished Chrome Body, Chrome Cylinder	1530-37-1
Satin Nickel Body, Satin Cylinder	1530-40-1
Black Body, Black Cylinder	1530-10-1

60mm Backset (Standard Style)

Finish	Part No. Boxed Version
Brass Body, Brass Cylinder	1730-31
Satin Chrome Body, Satin Cylinder	1730-35-1
Polished Chrome Body, Chrome Cylinder	1730-37-1
Satin Nickel Body, Satin Cylinder	1730-40-1
Black Body, Black Cylinder	1730-10-1

Matching BS Mortice Lock Forend Kit available

Ordering Details

For BS8621 Lock

Product	Part No.
Forend Kit Euro Dead Black PB	233-FK-10-1
Forend Kit Euro Sash Black PB	234-FK-10-1

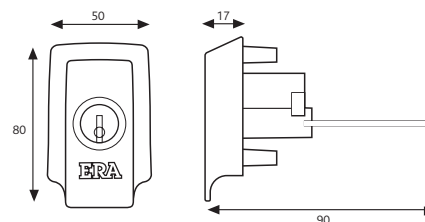
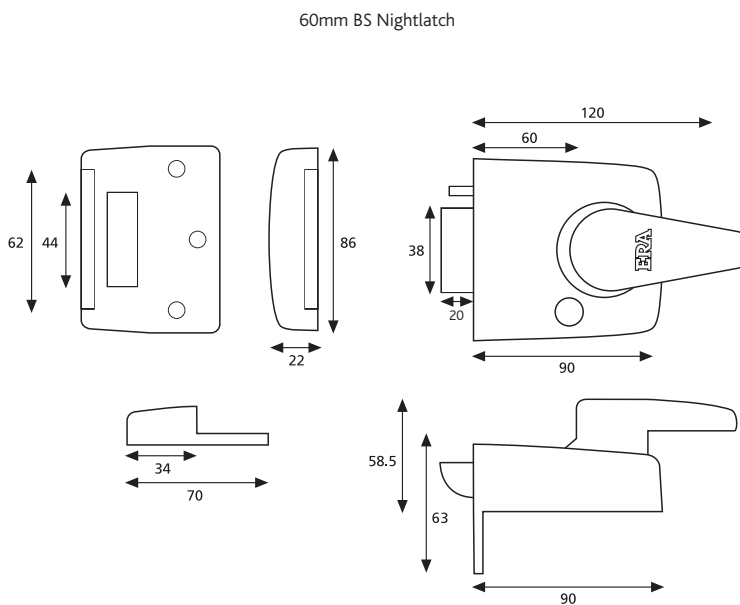
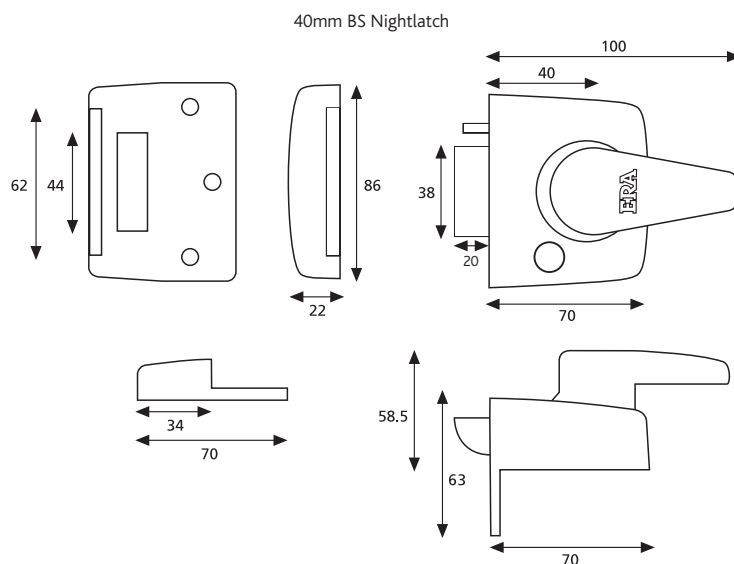
Packaging

Boxed version

1 lock per inner box, 10 locks per outer box

Maintenance

Wipe the surface periodically with a soft cloth to remove excess grease or moisture.



All dimensions are in mm and are nominal.
 ERA reserves the right to change specification without notice.
 It is the responsibility of the door manufacturer to ensure that the finished product meets any required safety and performance specification.