

BS Keyless Egress Mortice Lock

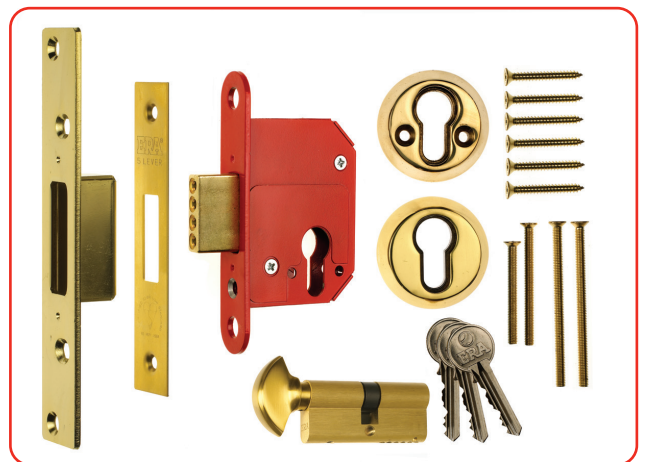


BS 8621:2007 1090

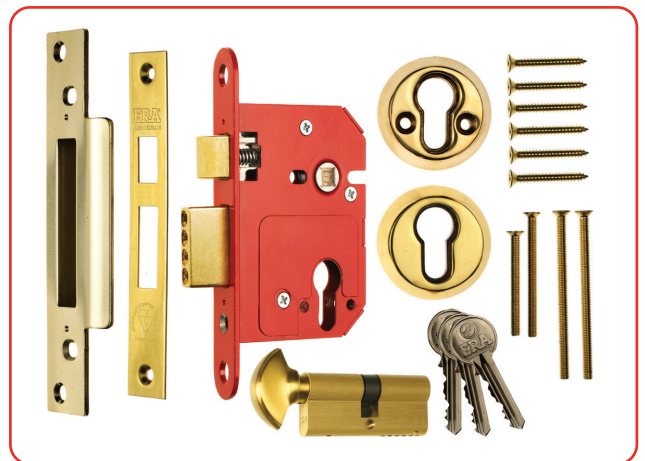
Egress

Features

- Overcomes the conflict between British Standard accredited front door lock and fire safety recommendations with the new Keyless Egress Range
- The BS8621:2007 standard mirrors the BS3621:2017 but is for 'escape' locks
- Provides Keyless Egress at all times, which is applicable when there is a requirement for an easy action method for opening external doors from the inside with no need for keys
- Especially useful for entrance doors in multi-residential buildings
- Hardened steel plates on both to resist drilling
- Four hardened steel plates in both models resists hacksawing
- Sashlock features an easily reversible pull and twist action latch bolt without the removal of the lock cover
- Bolt through heavy-duty security roses protect the cylinder
- 64mm (2½") and 76mm (3") backset options
- Brass Effect, Satin or Chrome Effect finishes available



Deadlock



Sashlock



Guarantee



Timber Composite



BS 8621:2007 1090



Police Preferred Specification



BS Keyless Egress Mortice Lock

Ordering Details

Euro Thumbturn Deadlock

Finish	Part No. Boxed Version
Brass Effect 64mm (2½")	233-31A
Satin 64mm (2½")	233-51A
Chrome Effect 64mm (2½")	233-61A
Brass Effect 76mm (3")	333-31A
Satin 76mm (3")	333-51A
Chrome Effect 76mm (3")	333-61A

Euro Thumbturn Sashlock

Finish	Part No. Boxed Version
Brass Effect 64mm (2½")	234-31A
Satin 64mm (2½")	234-51A
Chrome Effect 64mm (2½")	234-61A
Brass Effect 76mm (3")	334-31A
Satin 76mm (3")	334-51A
Chrome Effect 76mm (3")	334-61A

35/35 Euro Double Thumbturn Cylinders

Finish	Part No.
Brass (6 Pin)	DCY6PET3535BRKDB
Satin (6 Pin)	DCY6PET3535SASKDB

Classification Codes

Deadlock	Sashlock
1121 - AGS059	1121 - AG5056
BS EN 12209:2003	BS EN12209:2003
3H810F7BA00	3H810F7BA20

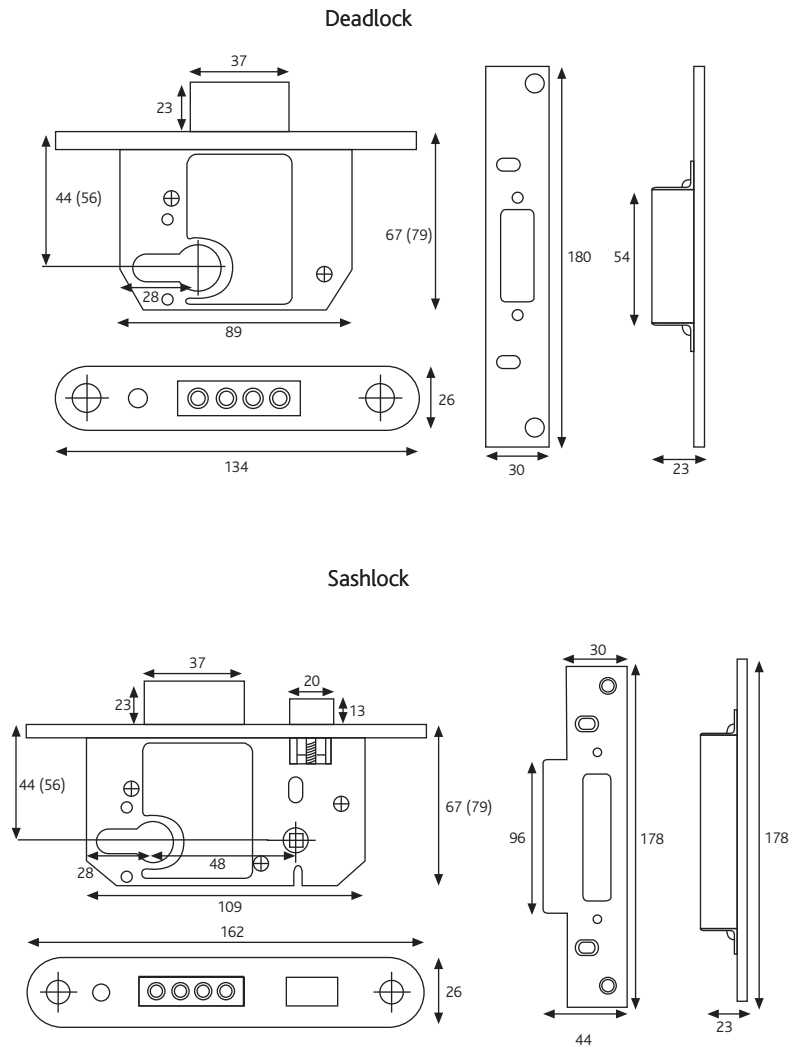
Packaging

Boxed version

1 lock per inner box, 5 locks per outer box. 1.08Kg per item, 5.4Kg per outer box.

Maintenance

Wipe the surface periodically with a soft cloth to remove excess grease or moisture.



All dimensions are in mm and are nominal. Numbers in brackets relate to 3" version of lock. Diagram illustrates product in locked position. ERA reserves the right to change specification without notice. It is the responsibility of the door manufacturer to ensure that the finished product meets any required safety and performance specification.