

Challenger Composite



Features

- Designed to meet the requirements of PAS 24:2016 as part of a compliant door system, and BS 6375
- Designed specifically for composite and timber doors
- Unique 3D adjustable - Lateral, Height & Compression:
 - Lateral +2mm / -2mm
 - Height +3mm
 - Compression +0.5mm / -0.5mm
- Security of the pin is achieved by a concealed grub screw, prevents unauthorised lift off on outward opening doors
- Self-lubricating bushes
- Suitable for inward and outward opening doors
- Supplied and sold as separate components - body and flag
- Fixing jig available
- Compatible with Aluminium door hinge trim
- Available in Brown, White, Polished Gold and Chrome finishes

Challenger Composite

Ordering Details

Challenger Composite

Product	Part No.	
Finish	Body	Flag
Brown	DNCBBN0001A	DNCABN0008
Light Brown	DNCBLB0001A	DNCALB0008
Polished Gold	DNCBDG0001A	DNCADG0008
Polished Chrome	DNCBDC0001A	DNCADC0008
White	DNCBWH0001A	DNCAWH0008

Accessories

Accessories	Part No.
Fixing Jig	DAJGBL0003

Technical Information

Corrosion resistance

Meets the requirements of BS EN 1670 Grade 4 (240 hours)

Operation

Function test to 50,000 cycles

Max Weight Per Door

3 hinges up to 100kg

Material Specification

Hinge Body:	Zinc alloy casting
Composite Hinge Flag:	Aluminium extrusion
Coatings:	Brown Powder Paint RAL 8019 Light Brown Powder Paint RAL 8003 White Powder Paint Hypca White Polished Gold and Chrome
Hinge Pins and Grub Screw:	Stainless Steel
Bushes:	Black POM (Acetal)

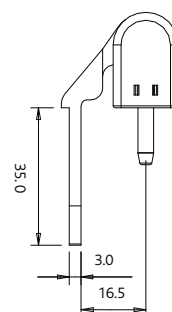
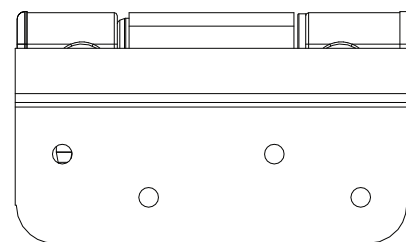
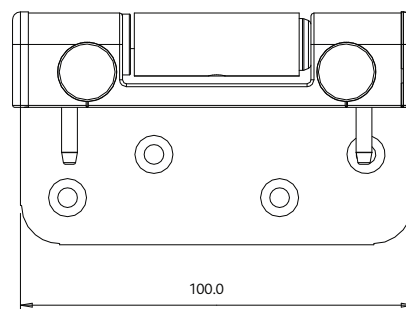
Maintenance

For continued protection of the quality finish and appearance, we advise routine cleaning of all our external hardware. We recommend wiping it with a clean cloth soaked in warm water and mild detergent every month. Please refrain from using heavy-duty cleaners, containing Chlorine or Potassium. Moving parts should also be lightly lubricated using a light non-acidic mineral oil (e.g., "3 in 1") at least twice per year. The product may need to be adjusted and fixings tightened to ensure a satisfactory operation. This procedure is particularly essential if products are used within a 25-mile radius of coastal areas or close proximity to building sites or large industrial areas, where more frequent cleaning may be required to prevent the accumulation of corrosive contaminants.

Packaging

Hinge

Individually packed, 24 hinges per box (Fixing screws not supplied)



Not to scale.

All dimensions are in mm and are nominal.

ERA reserves the right to change specification without notice
It is the responsibility of the door manufacturer to ensure that the finished product meets any required safety and performance specification