

Windsor Inline Lever Pad



Features

- **Solid die cast construction with heavy duty spring cassette**
Sturdy feel and consistent 90 degree lever return
- **Compact baseplate with screws in close proximity**
Combats lever attack
- **Sculpted ergonomic lever and low friction nylon bush**
Easy to grip and smooth action
- **Supplied with screw pack to suit 60-70mm profiles**
Everything needed for installation included
- **Colour coordinated screw heads**
Perfectly matching hardware, even down to the smallest details
- **Baseplate in common with all Windsor handles**
Same routing detail regardless of product variant chosen
- **Wide backplate**
To suit cylinder guards and accommodate larger cylinder preparation
- **Supplied with care instructions**
Helps the homeowner to keep the hardware in optimal condition
- **Supplied fully assembled**
Simple and quick installation, no need to fit springs or lever
- **Each part packaged in a separate chamber, but supplied as a set**
No scratching of parts during transit



Black



White



Hardex
Chrome



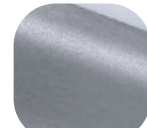
Hardex
Gold



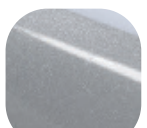
Hardex
Bronze



Hardex
Pewter



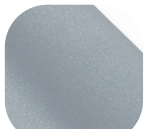
Hardex
Graphite



Silver



Antique
Black



Premium
Satin



Mechanical
Guarantee



PVCu Timber Composite



ERA
Total Security
Guarantee

Windsor Inline Lever Pad

Ordering Details

Product

Windsor Inline Lever Pad

Finish	Part No.
Hardex Chrome	1F101
Hardex Bronze	1F103
Hardex Gold	1F105
Hardex Graphite	1F108
Hardex Pewter	1F109
Antique Black	1F106
White	1B050
Black	1B051
Silver	1B052
Premium Satin	DHAWRPSIP

Technical Information

Corrosion resistance

Meets the requirements of BS EN 1670:2007 Grade 5 (480 hours)

Operation

Endurance tested in excess of 200,000 cycles

Performance

Tested to meet the requirements of PAS 24 as part of a compliant door set

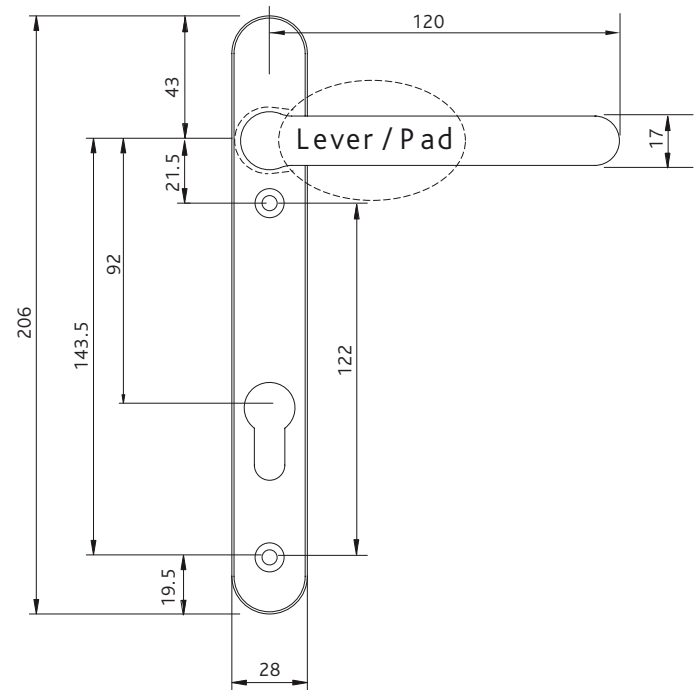
Material Specification

Handle Grip and Backplate: High quality Zinc for all Hardex finishes and Antique Black. High quality Aluminium for Premium Satin, White, Black and Silver finishes

Coatings: Hardex Chrome, Hardex Bronze, Hardex Gold, Hardex Graphite, Hardex Pewter, Antique Black, Premium Satin, White, Black and Silver

Screws: Machine screws with colour coordinated heads for handle. 60mm - 70mm profiles (2 x M5 x 70mm and 2x M5 x 80mm screws) Please contact your lock manufacturer to obtain a split spindle that works with this handle set

Cylinder: Euro Cylinder, 92mm PZ



All dimensions are in mm and are nominal. Fab&Fix reserves the right to change specification without notice. It is the responsibility of the door manufacturer to ensure that the finished product meets any required safety and performance specification.

Maintenance

For continued protection of the quality finish and appearance, we advise routine cleaning of all our external hardware. We recommend wiping it with a clean cloth soaked in warm water and mild detergent every month. Please refrain from using heavy-duty cleaners, containing Chlorine or Potassium. Moving parts should also be lightly lubricated using a light non-acidic mineral oil (e.g., "3 in 1") at least twice per year. The product may need to be adjusted and fixings tightened to ensure a satisfactory operation. This procedure is particularly essential if products are used within a 25-mile radius of coastal areas or close proximity to building sites or large industrial areas, where more frequent cleaning may be required to prevent the accumulation of corrosive contaminants.

Packaging

Handles

Individually bagged with screws and care instructions. 15 handles in an outer box.