

Anchorage Heavy Duty



Features

- High security design with patented lift on/lift off capability, unique in a captured hinge**
 Peace of mind as well as flexible assembly and ease of fitting
- Long reach sash plate with integral fixing lugs**
 Optimal strength and stability with 4 screws locating into the profile's steel reinforcing
- True 3D adjustment with supplied allen keys**
 Allows for final tweaking and perfect sash alignment
- Available in 14mm, 17mm and 21mm stack heights**
 Works with all major profile systems
- Sash security cover cap and anti-lift pin**
 Prevents intruder from removing cover cap and lifting out the door
- Dual mount screw fixings on sash piece for optional use of M6 screws**
 Strong hold on sash and frame
- Colour coordinated cover caps and packers**
 Perfectly matching components, to the smallest details
- 40kg sash weight load per hinge**
 Support up to 120kg with 3 hinges
- Dedicated individual or telescopic fixing jigs available**
 Fast, more accurate fabrication
- Tray based packaging, 3 hinges per tray**
 Convenient full door assembly
- Suitable for interior or exterior fitting**
 Convenience for fabricator



Hardex Chrome



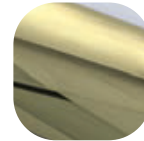
Hardex Satin



White



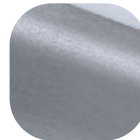
Hardex Bronze



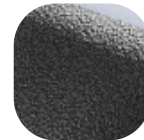
Hardex Gold



Black



Hardex Graphite



Antique Black

Anchorage Heavy Duty

Ordering Details

Anchorage Heavy Duty

Product	Part No.		
Finish	14mm	17mm	21mm
White	2B000	2B050	2B100
Black	2B001	2B051	2B101
Hardex Graphite	2B011	2B061	2B111
Hardex Chrome	2B004	2B054	2B104
Hardex Satin	2B005	2B055	2B105
Hardex Bronze	2B006	2B056	2B106

Technical Information

Corrosion resistance

All finishes salt spray tested to 480 hours (BS EN 1670: Class 5)

Operation

Function test to 200,000 cycles

Adjustment

Vertically +4mm/-1mm, Horizontally +/- 6mm; Compression adjustment of +/-1.5mm

Performance

Tested as part of a complete door set that successfully achieved PAS 024. Tested with 4 hinges up to 160kg sash

Material Specification

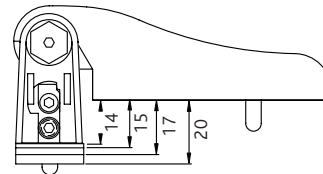
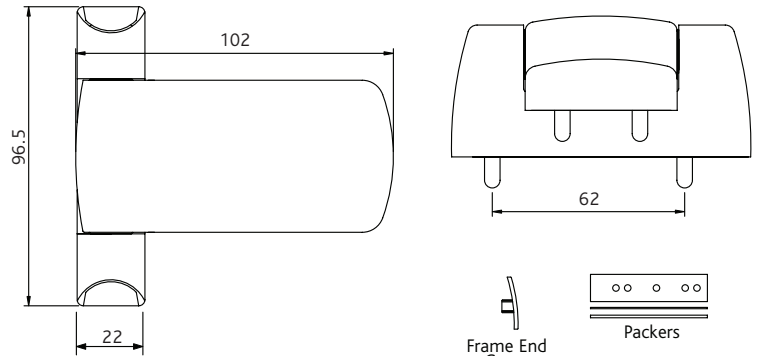
Hinge Body:	Brass and Powder Coated
Coatings:	Hardex Chrome, Hardex Satin, Hardex Bronze, Hardex Gold, Hardex Graphite, Antique Black and White

Maintenance

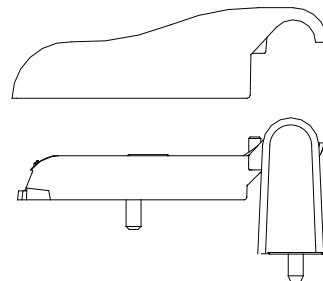
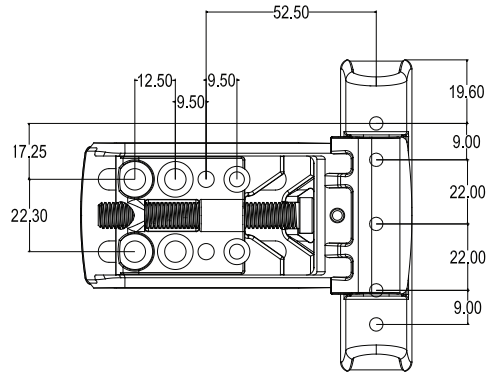
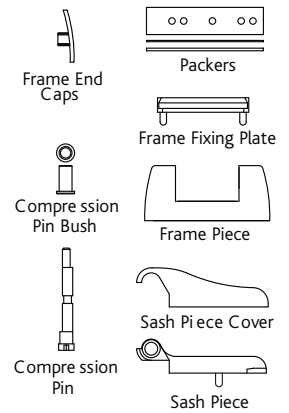
For continued protection of the quality finish and appearance, Fab&Fix advise routine cleaning of all our external hardware. Moving parts should also be lightly lubricated at least twice a year. This procedure is particularly essential if products are used within a 25-mile radius of coastal areas or close proximity to building sites or large industrial areas, where more frequent cleaning may be required to prevent the accumulation of corrosive contaminants.

Packaging

Hinge
18 hinges per box



Sash frame rebate height
Suitable for Sash Frame sizes from 14.0mm and higher.



All dimensions are in mm and are nominal.
Fab&Fix reserves the right to change specification without notice.
It is the responsibility of the door manufacturer to ensure that the finished product meets any required safety and performance specification.